



US00D999034S

(12) **United States Design Patent**
Kalista et al.

(10) **Patent No.:** **US D999,034 S**
(45) **Date of Patent:** **** Sep. 19, 2023**

(54) **OSCILLATING TOOL ATTACHMENT INTERFACE**
(71) Applicants: **Karl W. Kalista**, Rocklin, CA (US);
Michelle L. Kalista, Rocklin, CA (US)
(72) Inventors: **Karl W. Kalista**, Rocklin, CA (US);
Michelle L. Kalista, Rocklin, CA (US)

D817,139 S * 5/2018 Fellmann D8/20
D832,666 S * 11/2018 Kaye, Jr. D8/20
D853,817 S * 7/2019 Ji D8/20
D856,766 S * 8/2019 Kaye, Jr. D8/382
D862,185 S * 10/2019 Dai D8/20
D931,069 S * 9/2021 Dahill D8/20
D953,833 S * 6/2022 Heath D8/20
2018/0194019 A1* 7/2018 Knox E04D 15/02
2022/0371113 A1* 11/2022 Heath B23D 61/123

(**) Term: **15 Years**

OTHER PUBLICATIONS

(21) Appl. No.: **29/803,349**

“Powerextra Bi-Metal Saw Blades” Sep. 13, 2019, Amazon, site visited Jun. 15, 2023: <https://www.amazon.com/Powerextra-Oscillating-Universal-Multitool-Craftsman/dp/B07XLSFTML/> (Year: 2019).*
“Vtopmart Saw Blades” Apr. 11, 2018, Amazon, site visited 115 Jun. 2023: <https://www.amazon.com/Vtopmart-Oscillating-Multitool-Multimaster-Craftsman/dp/B07C3RRV8T/> (Year: 2018).*

(22) Filed: **Aug. 12, 2021**

(51) **LOC (14) Cl.** **08-03**

(52) **U.S. Cl.** **D8/20; D8/70**
USPC **D8/20; D8/70**

(58) **Field of Classification Search**
USPC D8/8, 5, 14, 19, 20, 60, 70, 95, 98, 99,
D8/107, 382; D15/127, 133, 138, 139;
D24/146
CPC B23B 31/10; B23B 31/19; B23D 61/006;
B23D 61/123; B23D 61/125; B23D
61/127; B24B 23/04; B24B 23/005; B25F
1/02; B25F 1/006; B25F 3/00; B26B
7/00; B26B 9/02; B27B 5/30
See application file for complete search history.

* cited by examiner

Primary Examiner — Jack Reickel
Assistant Examiner — Rene H. Kadoo
(74) *Attorney, Agent, or Firm* — Craig A. Simmermon

(56) **References Cited**

U.S. PATENT DOCUMENTS

D360,946 S * 8/1995 Goris D24/146
D682,652 S * 5/2013 McRoberts D8/20
D694,076 S * 11/2013 Davidian D8/20
D694,077 S * 11/2013 Bozic D8/20
D694,596 S * 12/2013 Davidian D8/20
D694,597 S * 12/2013 Davidian D8/20
D694,598 S * 12/2013 Davidian D8/20
D694,599 S * 12/2013 Davidian D8/20
D724,923 S * 3/2015 McRoberts D8/20
D750,461 S * 3/2016 McRoberts D8/70
9,815,187 B2* 11/2017 Kozak B25F 1/006

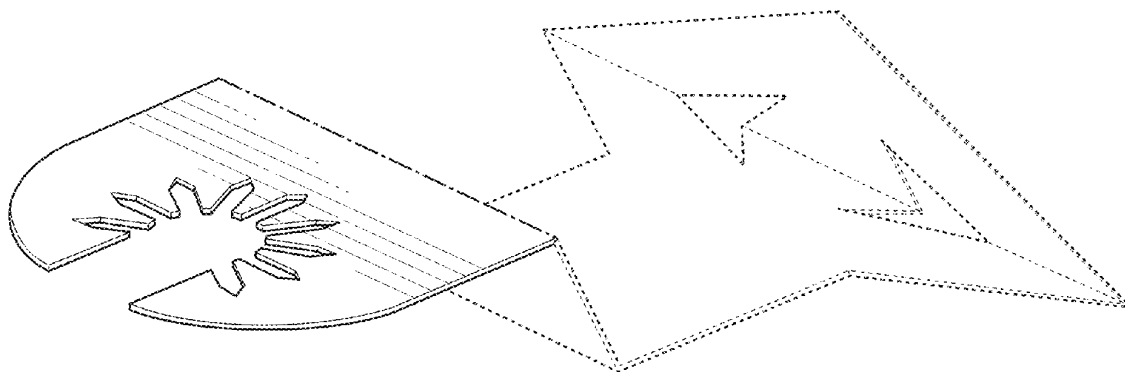
(57) **CLAIM**

The ornamental design for an oscillating tool attachment interface, as shown and described.

DESCRIPTION

FIG. 1 is a top perspective view of an oscillating tool attachment interface showing my new design;
FIG. 2 is a front elevation view thereof;
FIG. 3 is a rear elevation view thereof;
FIG. 4 is a right side elevation view thereof;
FIG. 5 is a left side elevation view thereof;
FIG. 6 is a top plan view thereof; and,
FIG. 7 is a bottom plan view thereof.
The broken lines depict unclaimed environmental subject matter that forms no part of the claimed design.

1 Claim, 5 Drawing Sheets



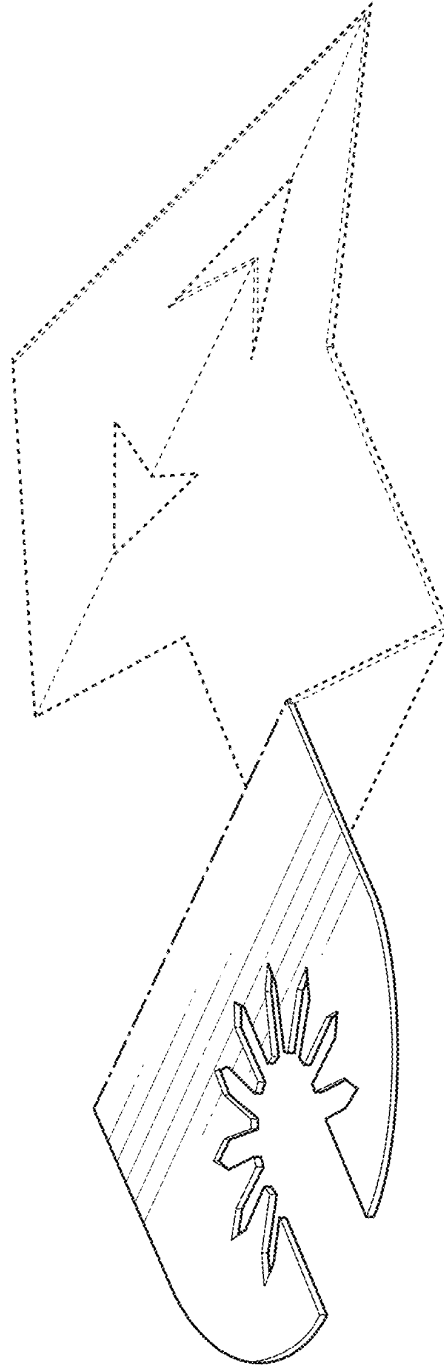


FIG. 1



FIG. 2



FIG. 3

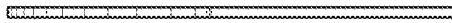


FIG. 4



FIG. 5

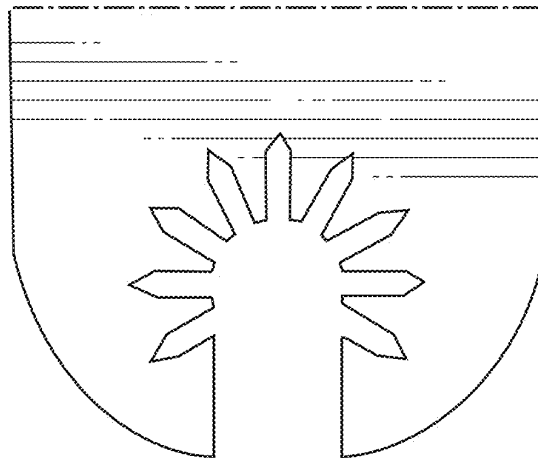


FIG. 6

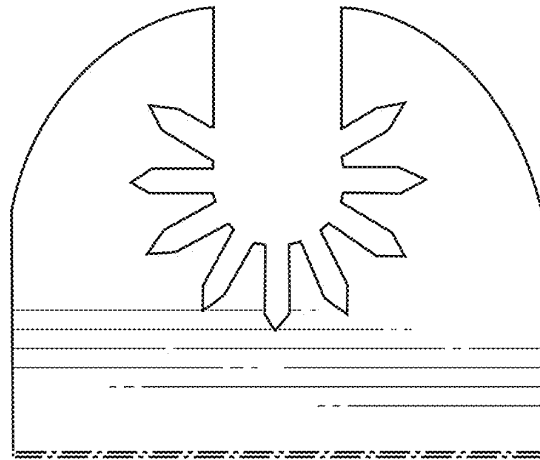


FIG. 7