



US00D992149S

(12) **United States Design Patent**
Phagura et al.

(10) **Patent No.:** **US D992,149 S**
(45) **Date of Patent:** **** Jul. 11, 2023**

(54) **TRAILER DOOR WITH DISPLAY**

D933,258 S * 10/2021 Phagura D25/48.3
D938,065 S * 12/2021 Allen D25/48.3
D946,172 S * 3/2022 Allen D25/48.3

(71) Applicants: **Ranjit Singh Phagura**, Rocklin, CA
(US); **Sandeep Kaur Uppal**, Rocklin,
CA (US)

* cited by examiner

(72) Inventors: **Ranjit Singh Phagura**, Rocklin, CA
(US); **Sandeep Kaur Uppal**, Rocklin,
CA (US)

Primary Examiner — Leanne Was-Englehart

(74) *Attorney, Agent, or Firm* — Craig A. Simmermon

(**) Term: **15 Years**

(57) **CLAIM**

We claim the ornamental design for a trailer door with display, as shown and described.

(21) Appl. No.: **29/796,039**

(22) Filed: **Jun. 22, 2021**

DESCRIPTION

(51) **LOC (14) Cl.** **25-02**

(52) **U.S. Cl.**

USPC **D25/48.3**; D12/196

(58) **Field of Classification Search**

USPC D12/100, 103, 106, 196; D25/48.1, 48.3,
D25/60

CPC E06B 3/44; E06B 3/4423; E06B 5/003;
E06B 2003/4453; E06B 2003/4492

See application file for complete search history.

FIG. 1 is a perspective view of a trailer door with display showing my new design;
FIG. 2 is a front elevation view thereof;
FIG. 3 is a rear elevation view thereof;
FIG. 4 is a left side elevation view thereof;
FIG. 5 is a right side elevation view thereof;
FIG. 6 is a top plan view thereof;
FIG. 7 is a bottom plan view thereof;
FIG. 8 is a perspective view of a second embodiment of a trailer door with display showing my new design;
FIG. 9 is a front elevation view thereof;
FIG. 10 is a rear elevation view thereof;
FIG. 11 is a left side elevation view thereof;
FIG. 12 is a right side elevation view thereof;
FIG. 13 is a top plan view thereof; and,
FIG. 14 is a bottom plan view thereof.

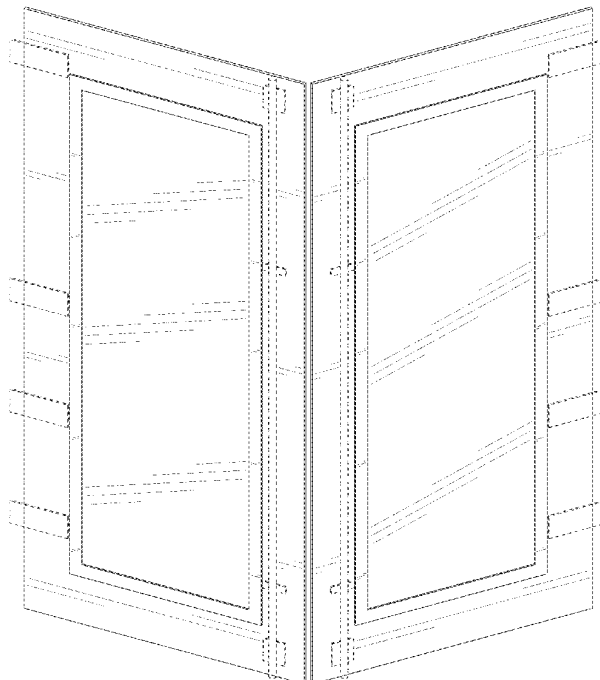
The broken lines depict portions of the trailer door with display that form no part of the claimed design.

(56) **References Cited**

U.S. PATENT DOCUMENTS

D396,300 S * 7/1998 Grimaldi D25/48.3
D790,728 S * 6/2017 Allen D25/48.3
D827,860 S * 9/2018 Allen D25/48.3
D844,175 S * 3/2019 Allen D25/48.3
D883,521 S * 5/2020 Ege E06B 3/7015
D25/48.3
D888,990 S * 6/2020 Allen D25/48.3
D888,991 S * 6/2020 Allen D25/48.3

1 Claim, 10 Drawing Sheets



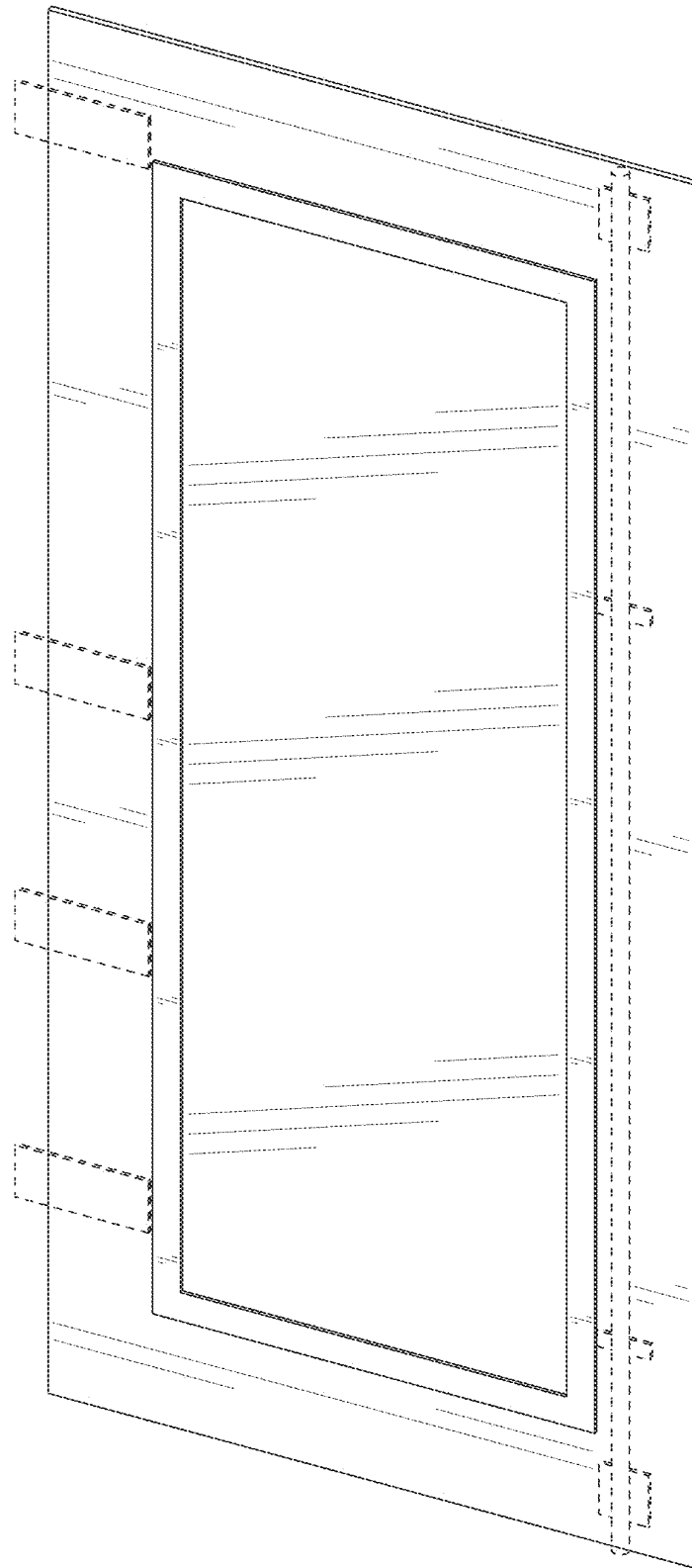


FIG. 1

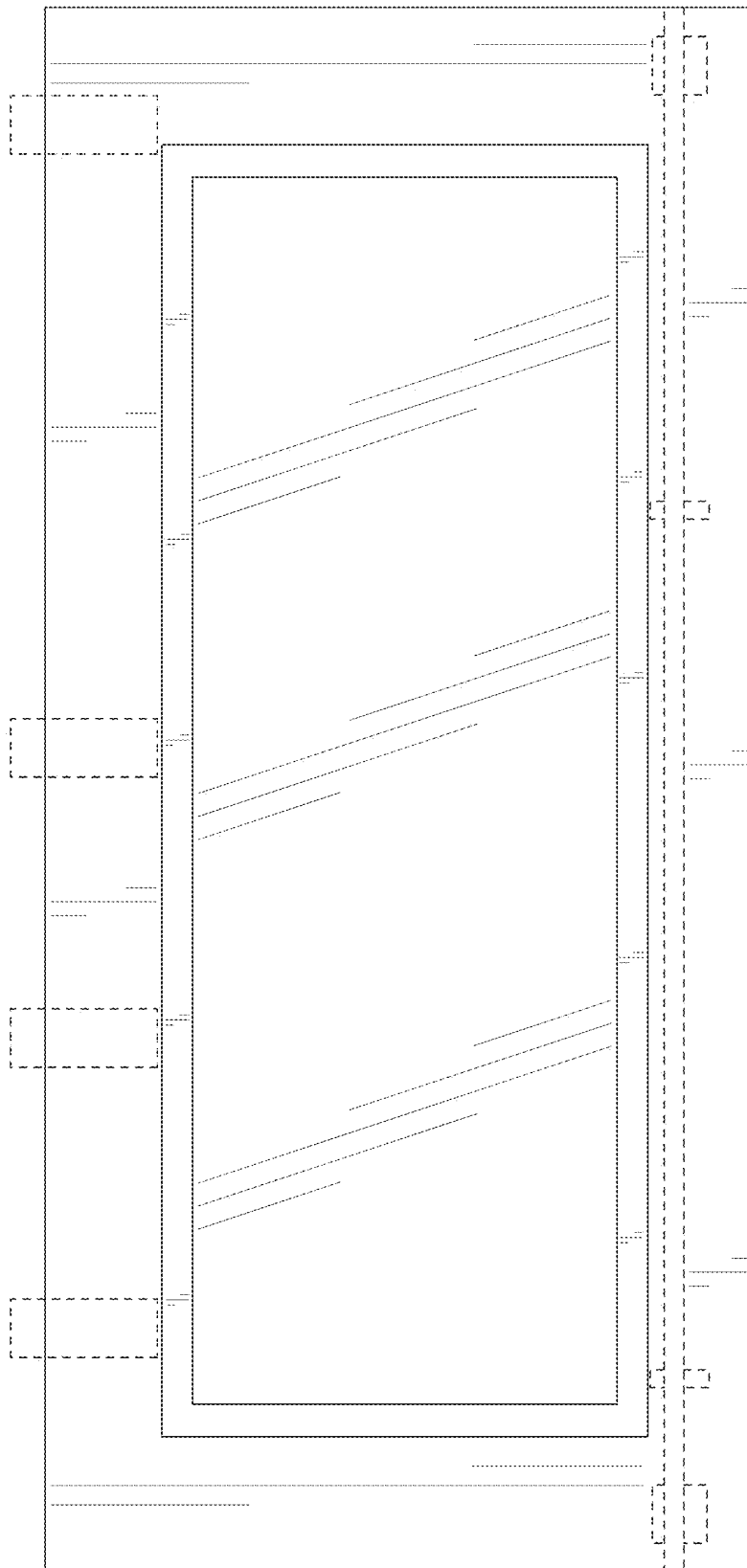


FIG. 2

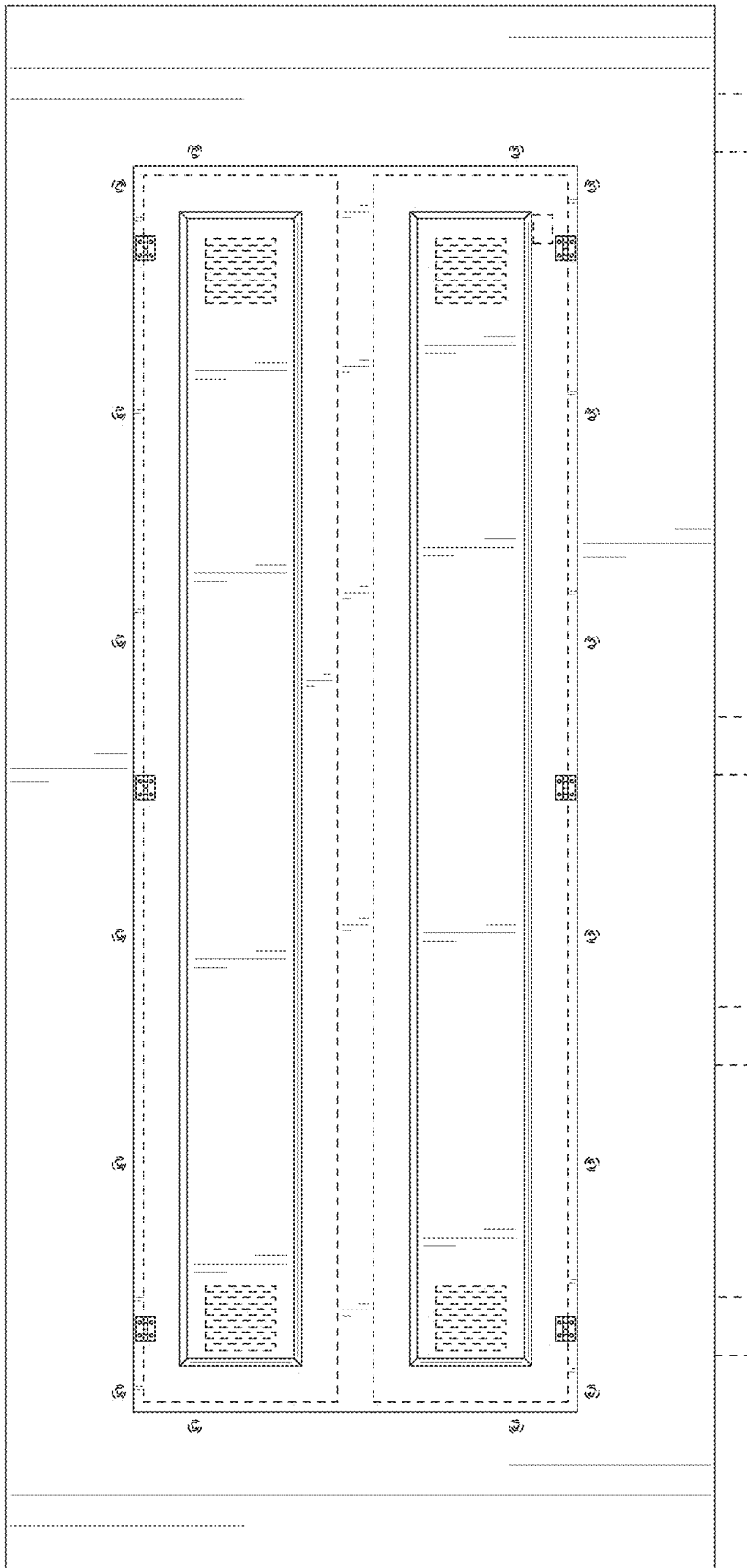


FIG. 3

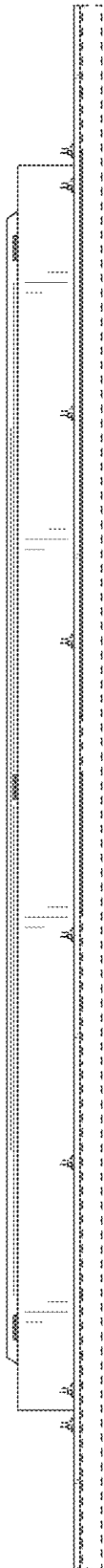


FIG. 4

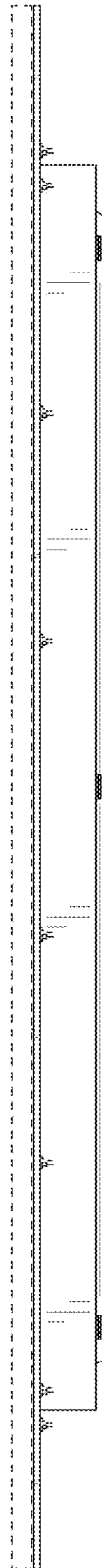


FIG. 5

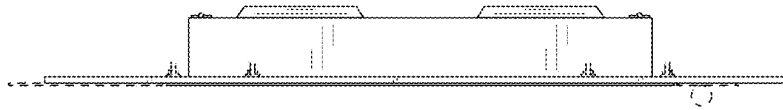


FIG. 6

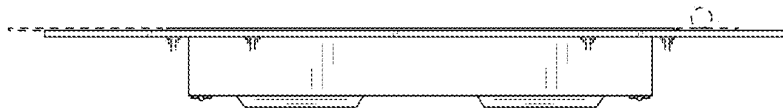


FIG. 7

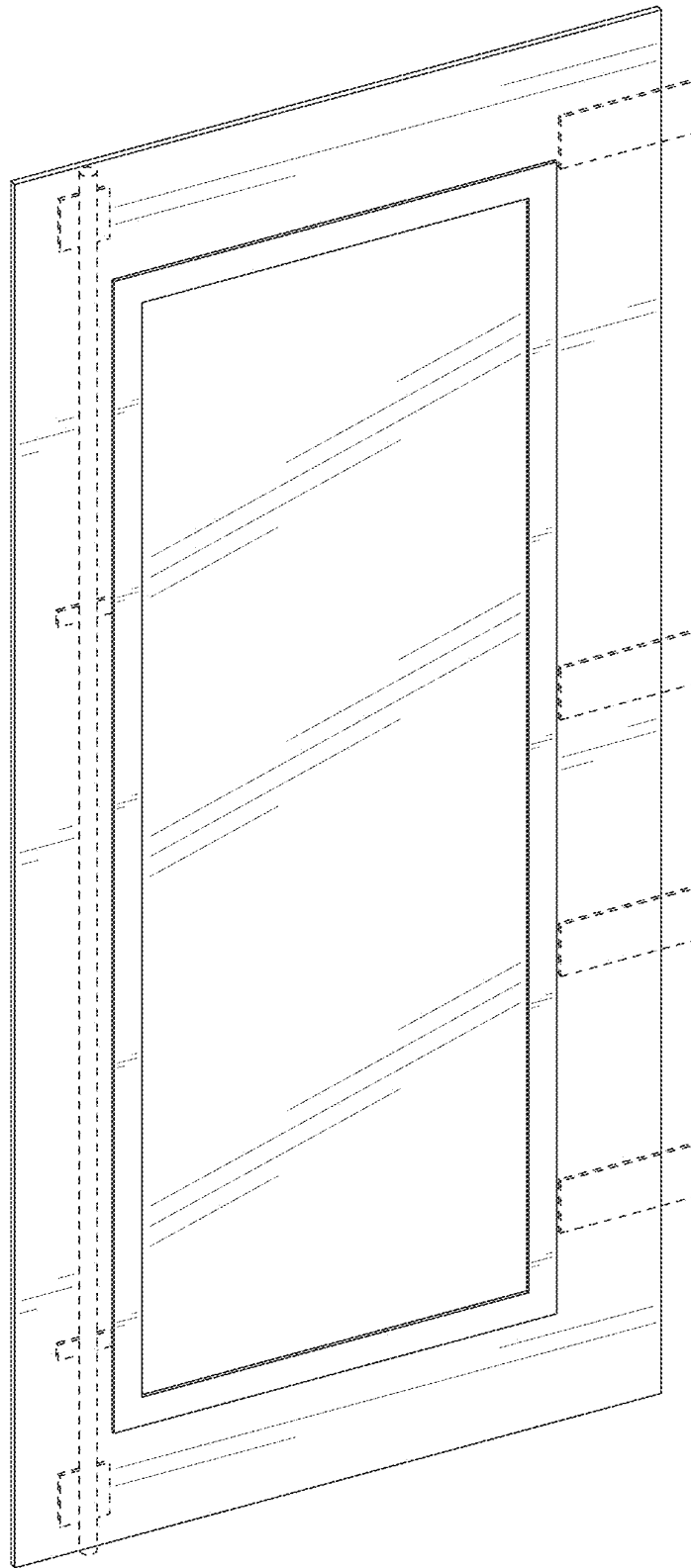


FIG. 8

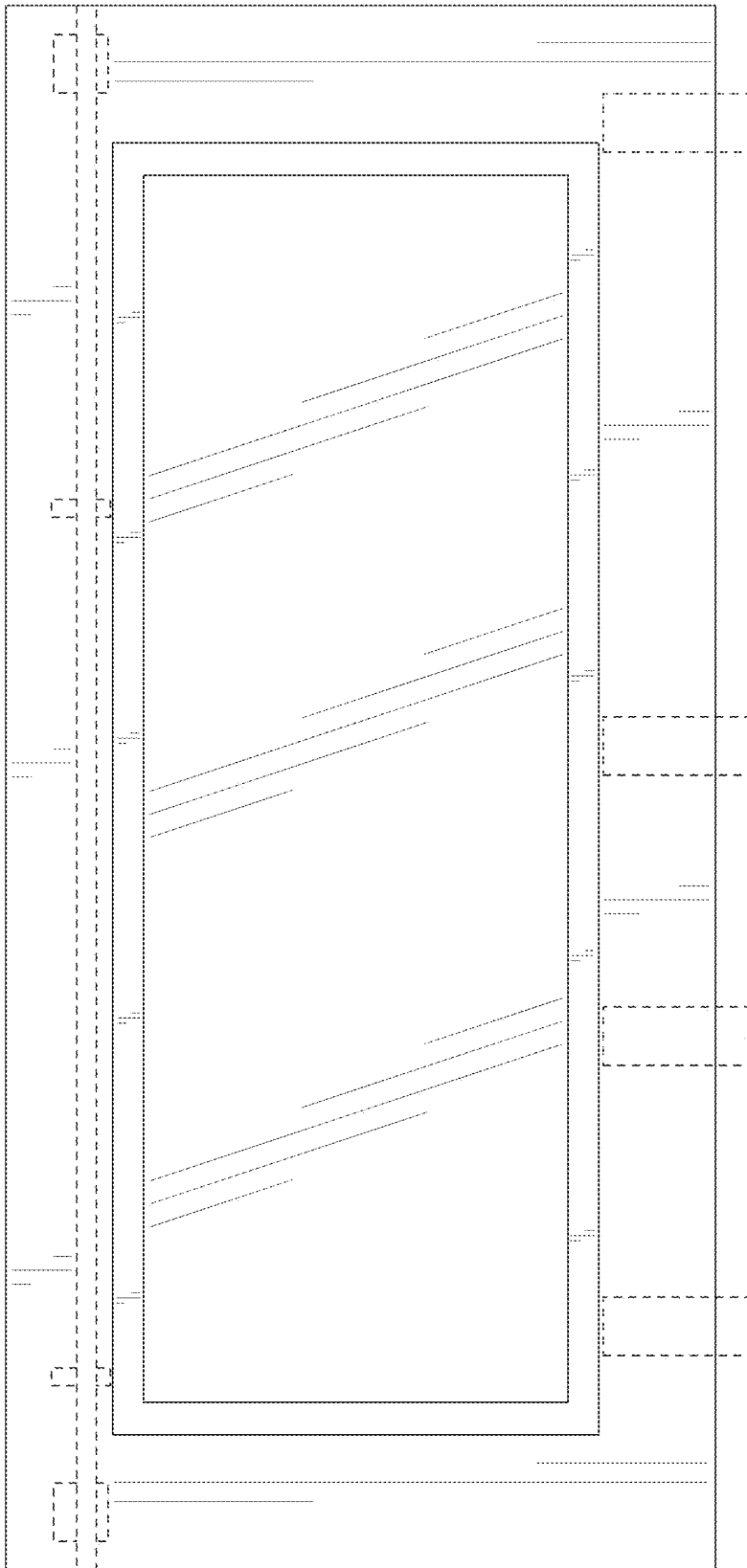


FIG. 9

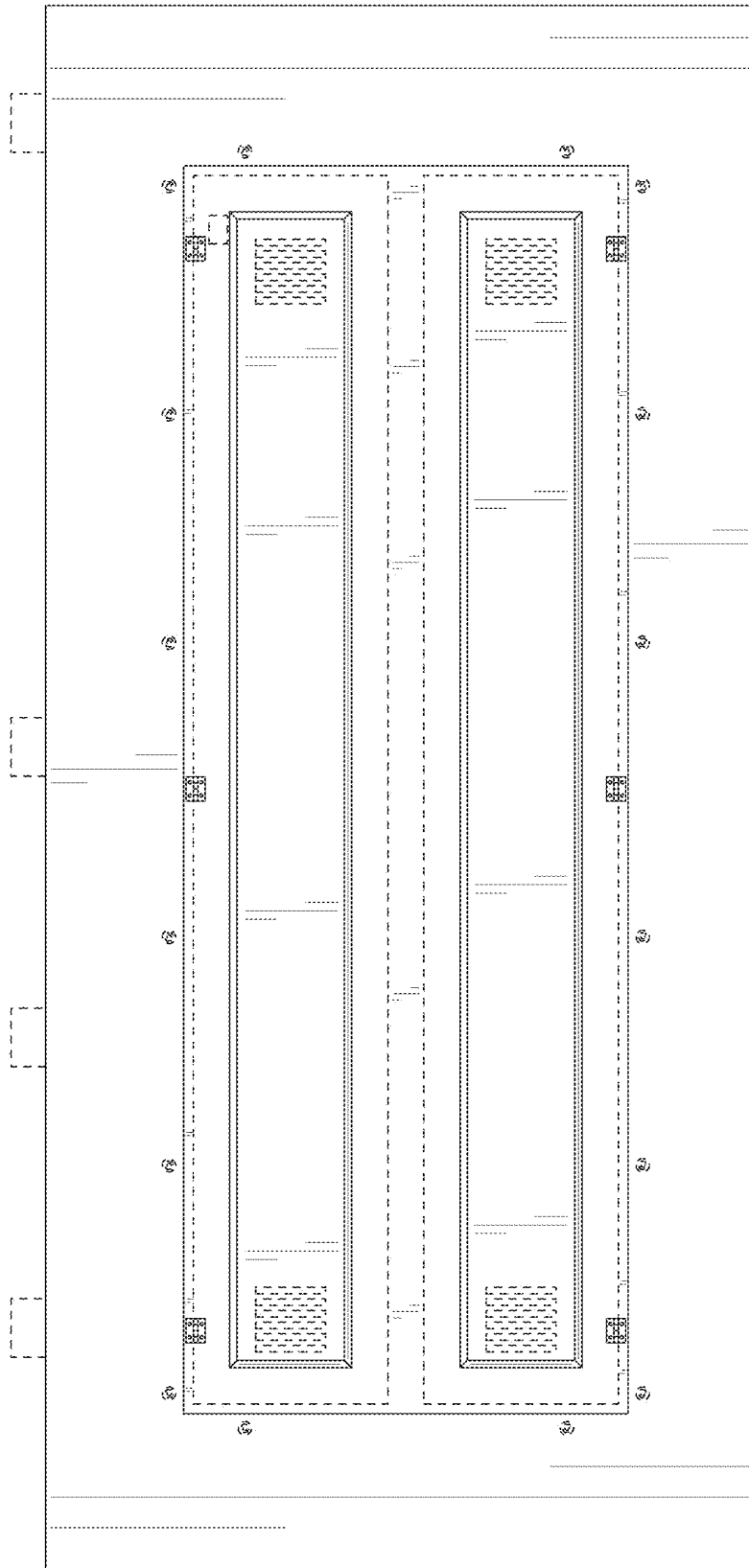


FIG. 10

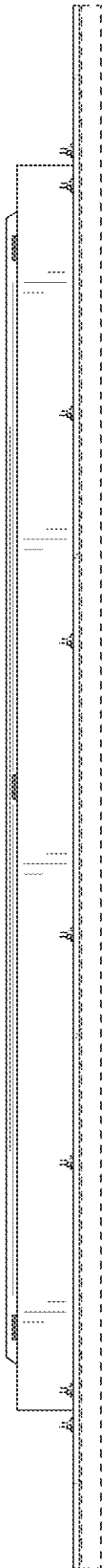


FIG. 11

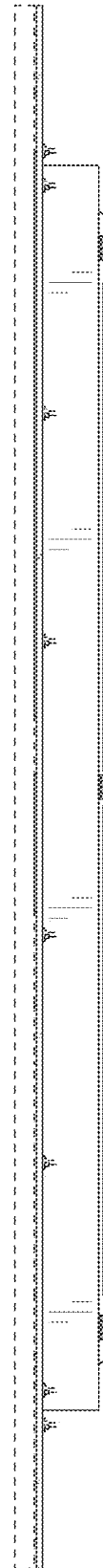


FIG. 12

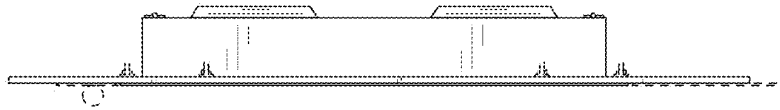


FIG. 13

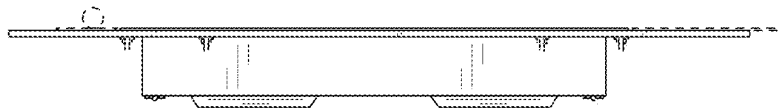


FIG. 14