



US00D974773S

(12) **United States Design Patent**
Stovall

(10) **Patent No.:** **US D974,773 S**

(45) **Date of Patent:** **** Jan. 10, 2023**

(54) **HAIR BRUSH**

FOREIGN PATENT DOCUMENTS

(71) Applicant: **Jarrod Stovall**, Vacaville, CA (US)

CN	304035198	*	2/2017
CN	305162793	*	8/2018
EM	170702-0001	*	9/2015

(72) Inventor: **Jarrod Stovall**, Vacaville, CA (US)

(**) Term: **15 Years**

OTHER PUBLICATIONS

(21) Appl. No.: **29/778,904**

V1 Wave Brush, posting date unknown [online], [retrieved Aug. 30, 2022]. Retrieved from internet, <https://www.360jeezy.com/products/new-brush> (Year: 2022).*

(22) Filed: **Apr. 15, 2021**

Brush Session 2021 Live ♦♦, posted Apr. 29, 2021 [online], [retrieved Aug. 30, 2022]. Retrieved from internet, <https://www.youtube.com/watch?v=y4oaHLQ4Tcw> (Year: 2021).*

(51) **LOC (14) Cl.** **04-99**

(52) **U.S. Cl.**
USPC **D4/134**

(58) **Field of Classification Search**
USPC D4/127, 128, 129, 130, 132, 134, 135, D4/199; D28/10, 21, 30, 31, 99
CPC A46B 2200/10; A46B 2200/102; A46B 2200/104; A46B 3/00; A46B 3/005; A46B 5/00; A46B 5/02; A46B 5/021; A46B 13/00; A46B 13/008; A46B 15/00
See application file for complete search history.

360Jeezy V1 Curve Brush dropping Tomorrow @7am Dec. 2016 <http://360jeezy.com>, posted Dec. 15, 2021 [online], [retrieved Aug. 30, 2022]. Retrieved from internet, https://twitter.com/360_jeezy/status/1471227465758437377 (Year: 2021).*

* cited by examiner

Primary Examiner — Alison M Ofstun
Assistant Examiner — Evin Franklin George Ershock
(74) *Attorney, Agent, or Firm* — Craig A. Simmermon

(56) **References Cited**

(57) **CLAIM**

U.S. PATENT DOCUMENTS

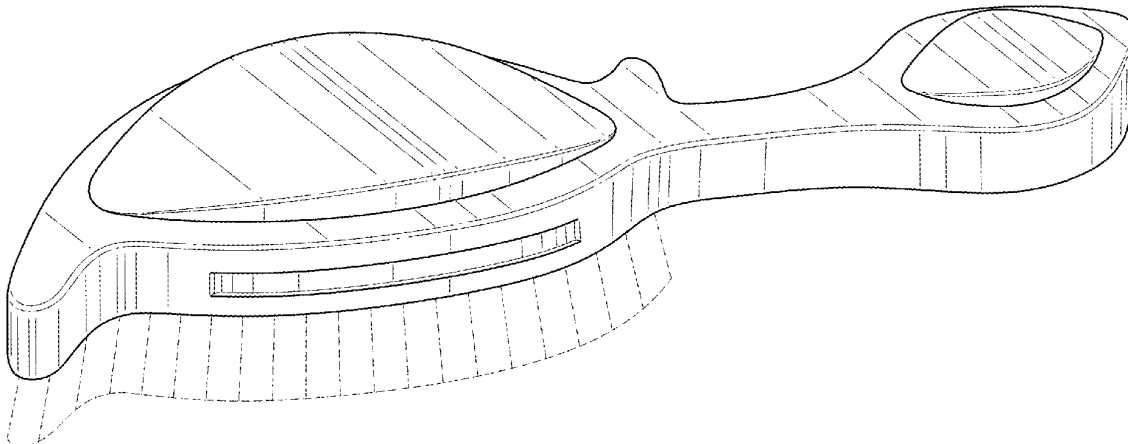
I claim the ornamental design for a hair brush, as shown and described.

- D513,883 S * 1/2006 Kampel A45D 19/0041 D4/133
- D839,609 S * 2/2019 Robbins D4/134
- D879,476 S * 3/2020 Rennette D4/138
- D883,679 S * 5/2020 Pulfrey D4/134
- D905,970 S * 12/2020 Rennette D4/134
- D908,367 S * 1/2021 Heaton D4/138
- D940,468 S * 1/2022 Sommer D4/134
- D941,036 S * 1/2022 Hinds D4/134
- D941,037 S * 1/2022 Wojczak D4/138
- D944,536 S * 3/2022 Leatherwood A46B 9/023 D4/134
- 11,344,110 B1 * 5/2022 Kron A45D 19/0041
- 2011/0299909 A1 * 12/2011 Madappattu A45D 19/026 401/28
- 2015/0135455 A1 * 5/2015 Reusche A46B 9/023 15/160

DESCRIPTION

FIG. 1 is a top perspective view of a hair brush showing my new design;
FIG. 2 is a front elevation view thereof;
FIG. 3 is a rear elevation view thereof;
FIG. 4 is a right side elevation thereof;
FIG. 5 is a left side elevation view thereof;
FIG. 6 is a top plan view thereof; and,
FIG. 7 is a bottom plan view thereof.
The broken lines in the drawings illustrate portions of the article and form no part of the claimed design.

1 Claim, 6 Drawing Sheets



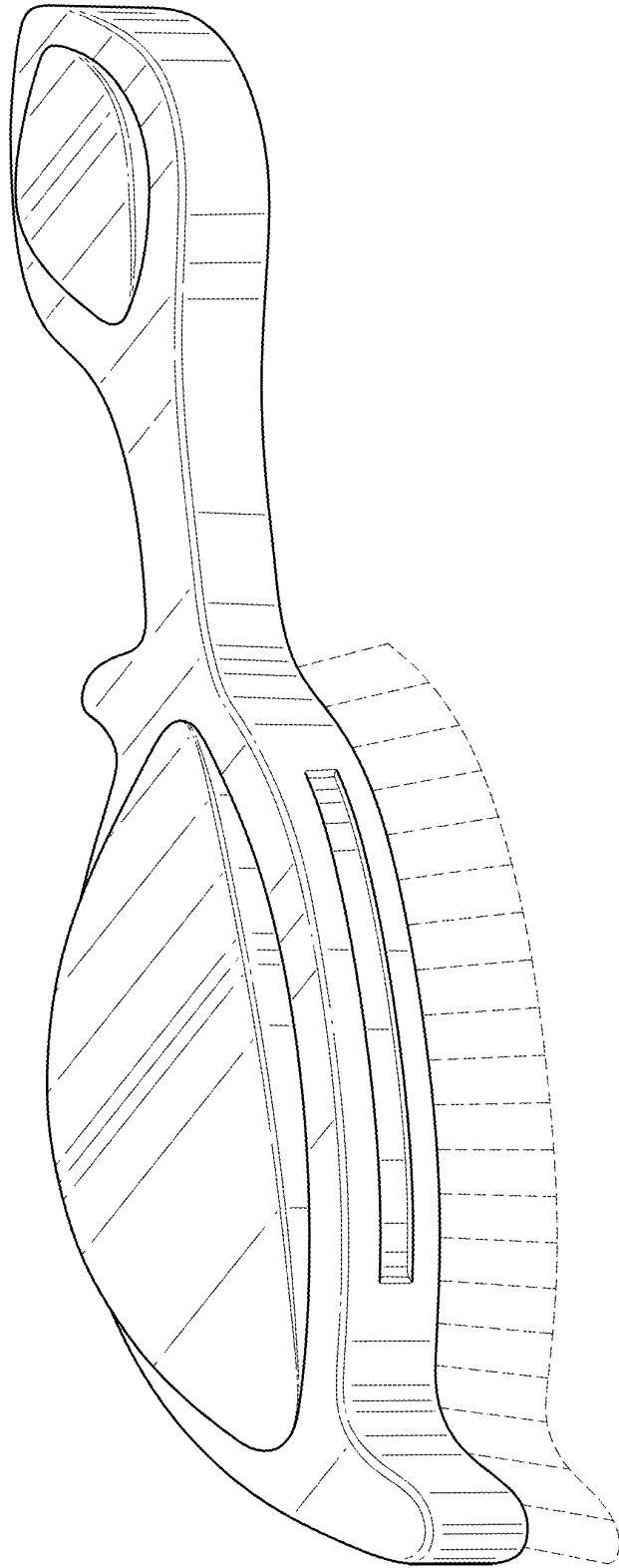


FIG. 1

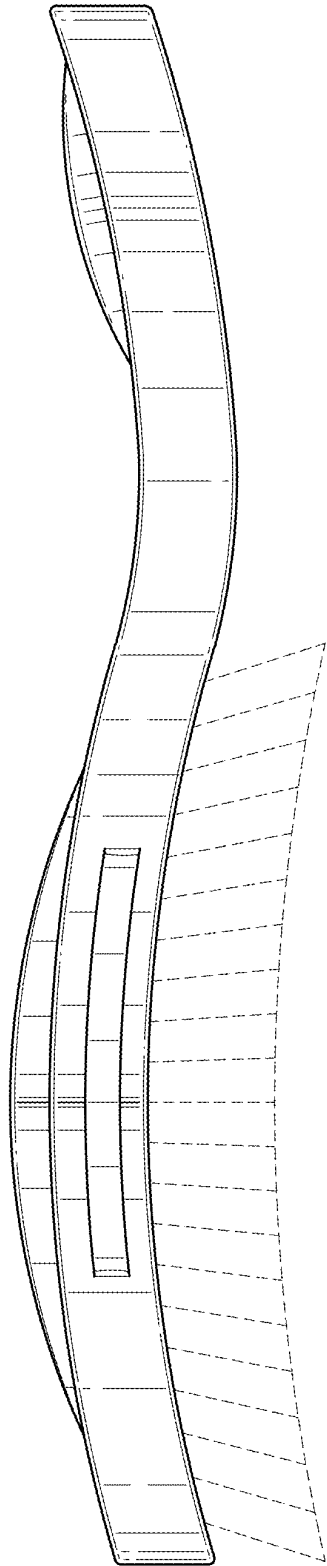


FIG. 2

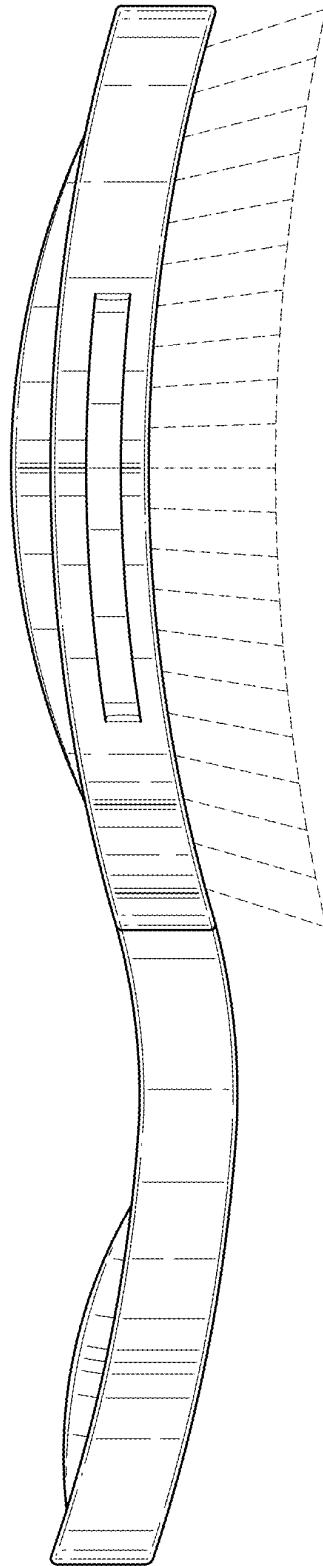


FIG. 3

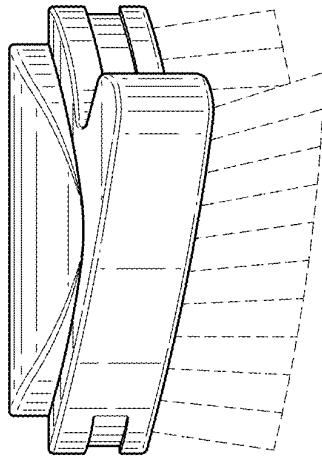


FIG. 5

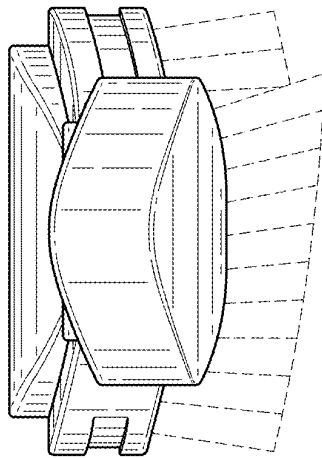


FIG. 4

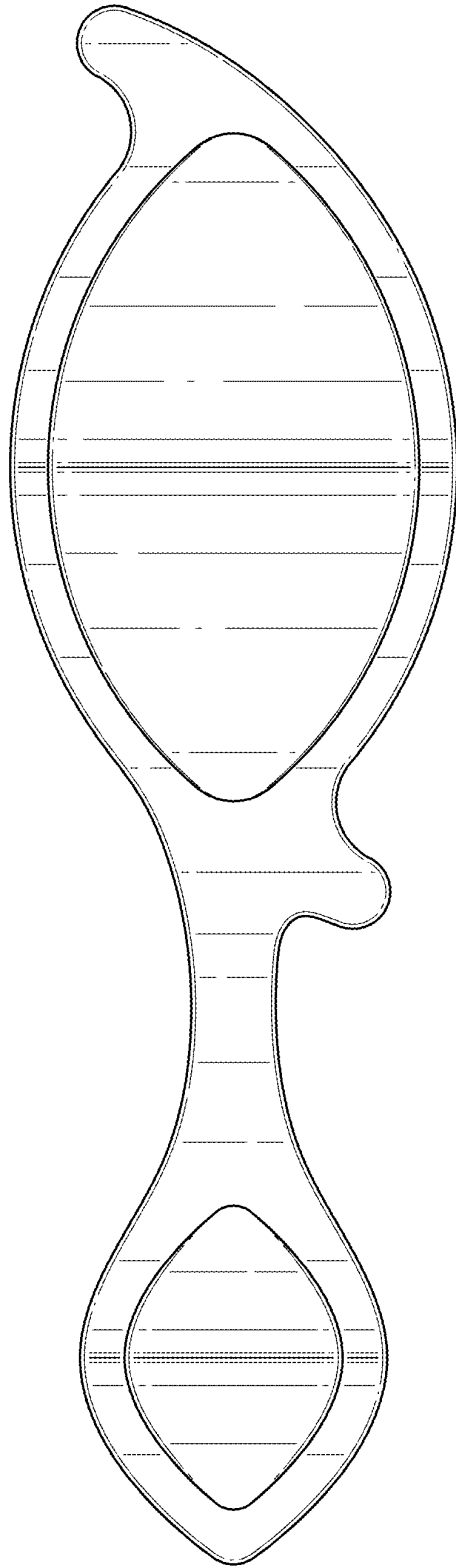


FIG. 6

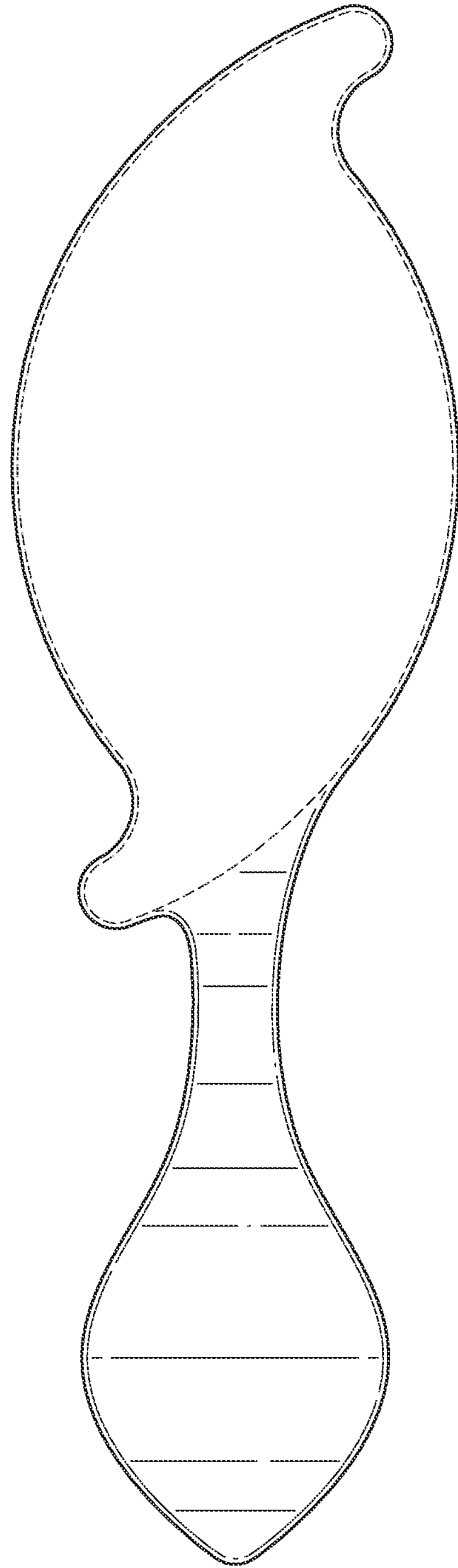


FIG. 7