



US00D873198S

(12) **United States Design Patent**  
**Pringle**

(10) **Patent No.:** **US D873,198 S**

(45) **Date of Patent:** **\*\* Jan. 21, 2020**

(54) **LOCKABLE REMOVABLE ATTACHABLE CATALYTIC CONVERTER CAGE**

D452,694 S \* 1/2002 Irie ..... D12/194  
D490,691 S \* 6/2004 Buss ..... D8/356  
D625,334 S \* 10/2010 Gouge ..... D15/4

(Continued)

(71) Applicant: **Patrick C. Pringle**, Antelope, CA (US)

*Primary Examiner* — Sandra S Snapp

(72) Inventor: **Patrick C. Pringle**, Antelope, CA (US)

*Assistant Examiner* — Ieisha N Price

(\*\*) Term: **15 Years**

(74) *Attorney, Agent, or Firm* — Craig A. Simmermon

(21) Appl. No.: **29/660,659**

(57) **CLAIM**

(22) Filed: **Aug. 22, 2018**

I claim the ornamental design for a lockable removable attachable catalytic converter cage, as shown and described.

(51) **LOC (12) Cl.** ..... **12-06**

(52) **U.S. Cl.**  
USPC ..... **D12/223**

**DESCRIPTION**

(58) **Field of Classification Search**

USPC ..... D15/1, 2, 3, 4, 5; D8/349, 354, 382;  
D12/400, 159, 160, 216, 222, 223  
CPC ..... F01N 3/28; F01N 3/2803; F01N 13/1805;  
F01N 13/1855; F01N 2260/22; F01N  
2260/00; F01N 2450/24; F01N 2450/08;  
Y02A 50/232; Y02A 50/2322; F16L 3/00;  
F16L 23/036; B60R 2011/0042  
See application file for complete search history.

FIG. 1 is a top, front and right perspective view of a lockable removable attachable catalytic converter cage showing my new design;

FIG. 2 is a right side elevation view thereof;

FIG. 3 is a top plan view thereof;

FIG. 4 is a left side elevation view thereof;

FIG. 5 is a bottom plan view thereof;

FIG. 6 is a front elevation view thereof;

FIG. 7 is a rear elevation view thereof;

FIG. 8 is a left, bottom and front perspective view thereof showing environmental items;

FIG. 9 is a top, front and right perspective view of a second embodiment of my design;

FIG. 10 is a right side elevation view thereof;

FIG. 11 is a top plan view thereof;

FIG. 12 is a left side elevation view thereof; and

FIG. 13 is a bottom plan view thereof;

FIG. 14 is a front elevation view thereof;

FIG. 15 is a rear elevation view thereof; and,

FIG. 16 is a left, bottom and front perspective view thereof showing environmental items.

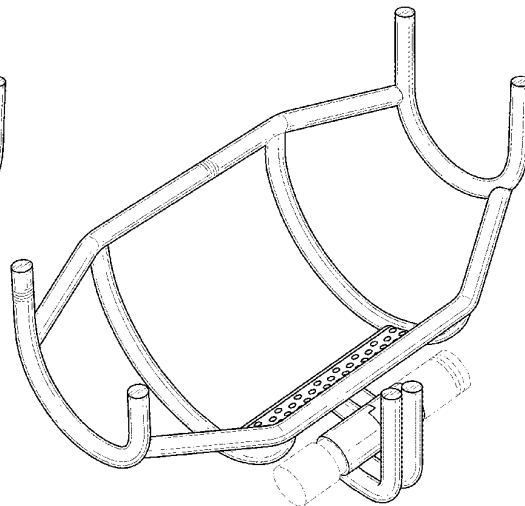
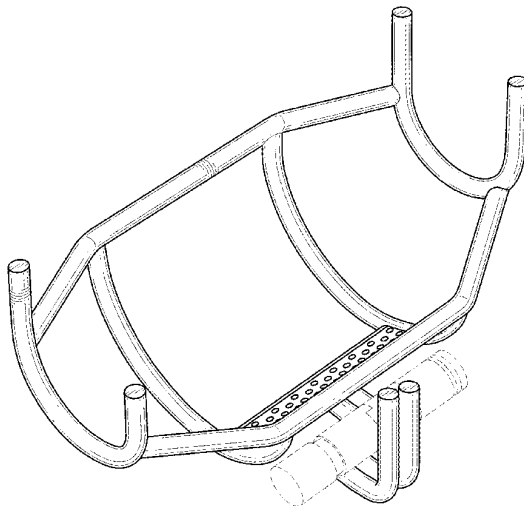
The broken lines shown in the drawings illustrates the environment of the claimed design and forms no part thereof.

(56) **References Cited**

U.S. PATENT DOCUMENTS

3,199,815 A \* 8/1965 Martinkovic ..... F01N 13/1805  
248/59  
4,215,093 A \* 7/1980 Yasuda ..... F01N 3/2853  
29/890  
D257,353 S \* 10/1980 Fogolin ..... D15/4  
D265,308 S \* 7/1982 Zimmer, Jr. .... 180/69.1  
D277,843 S \* 3/1985 Gilbreath ..... D12/317  
4,615,500 A \* 10/1986 Layson ..... F01N 3/28  
248/62  
5,073,353 A \* 12/1991 Florian ..... F01N 3/28  
422/310  
5,108,716 A \* 4/1992 Nishizawa ..... B01D 53/945  
422/171  
5,169,604 A \* 12/1992 Crothers, Jr. .... F01N 3/2853  
422/177  
D371,228 S \* 6/1996 Monin ..... D30/121

**1 Claim, 10 Drawing Sheets**



(56)

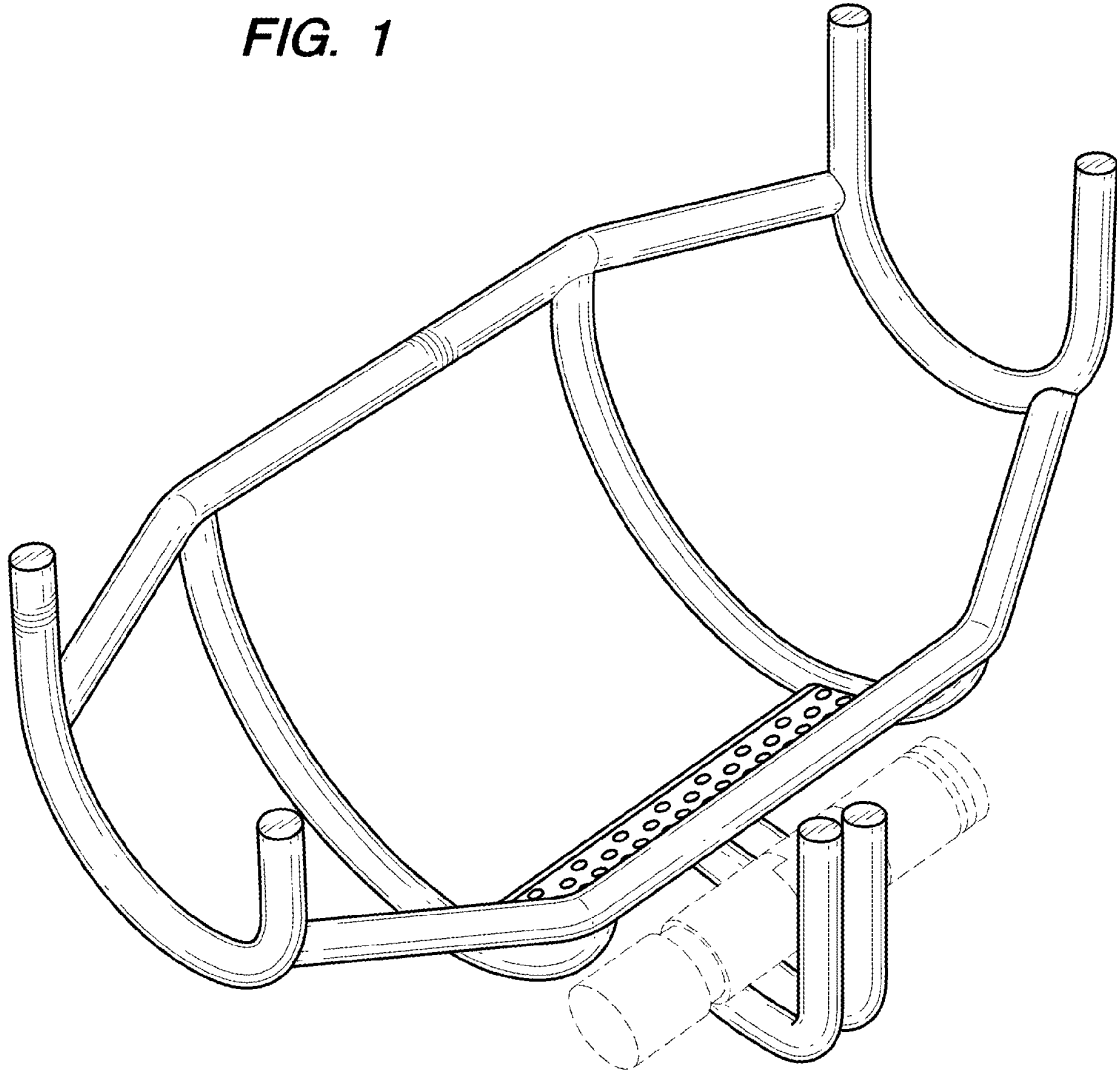
**References Cited**

U.S. PATENT DOCUMENTS

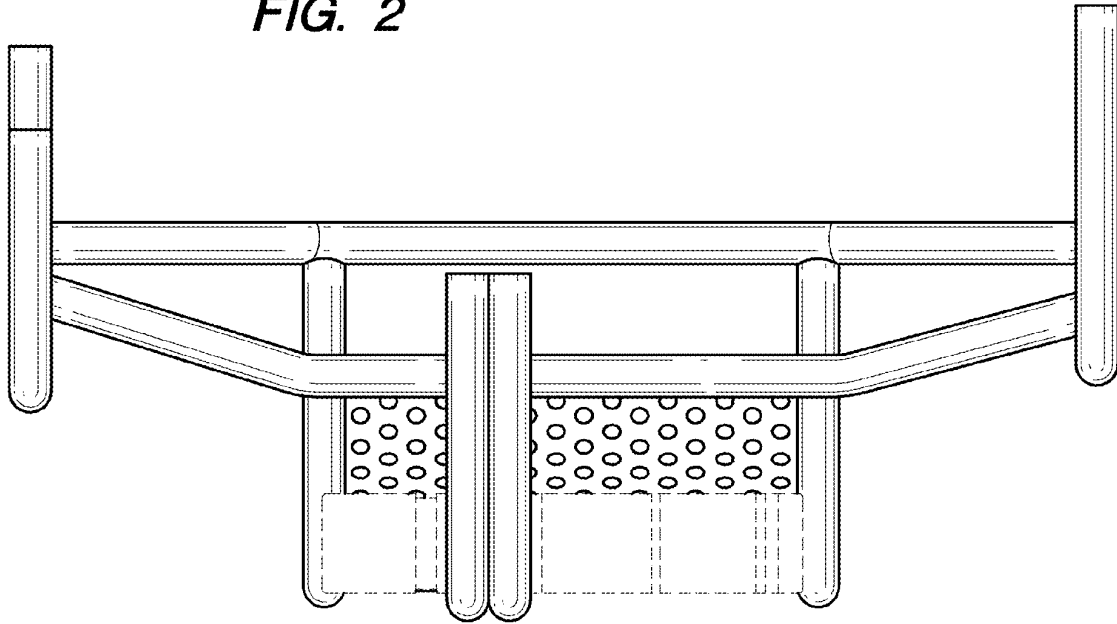
7,919,052 B2\* 4/2011 Ahmed ..... B01D 53/8631  
422/179  
8,544,802 B2\* 10/2013 Bigham ..... H02G 3/30  
174/491  
D692,838 S \* 11/2013 Winn ..... H02G 3/0443  
D13/155  
8,963,699 B2\* 2/2015 Potter ..... B60R 25/20  
248/551  
D809,908 S \* 2/2018 Sung ..... D8/394  
2005/0218270 A1\* 10/2005 Doverspike ..... F16L 1/09  
248/65  
2011/0036130 A1\* 2/2011 Hisler ..... F01N 3/28  
70/57.1  
2016/0047289 A1\* 2/2016 Novacek ..... B60K 13/04  
180/309  
2016/0149386 A1\* 5/2016 Stechmann ..... H02G 3/32  
248/68.1  
2017/0159880 A1\* 6/2017 Stechmann ..... F16M 13/022

\* cited by examiner

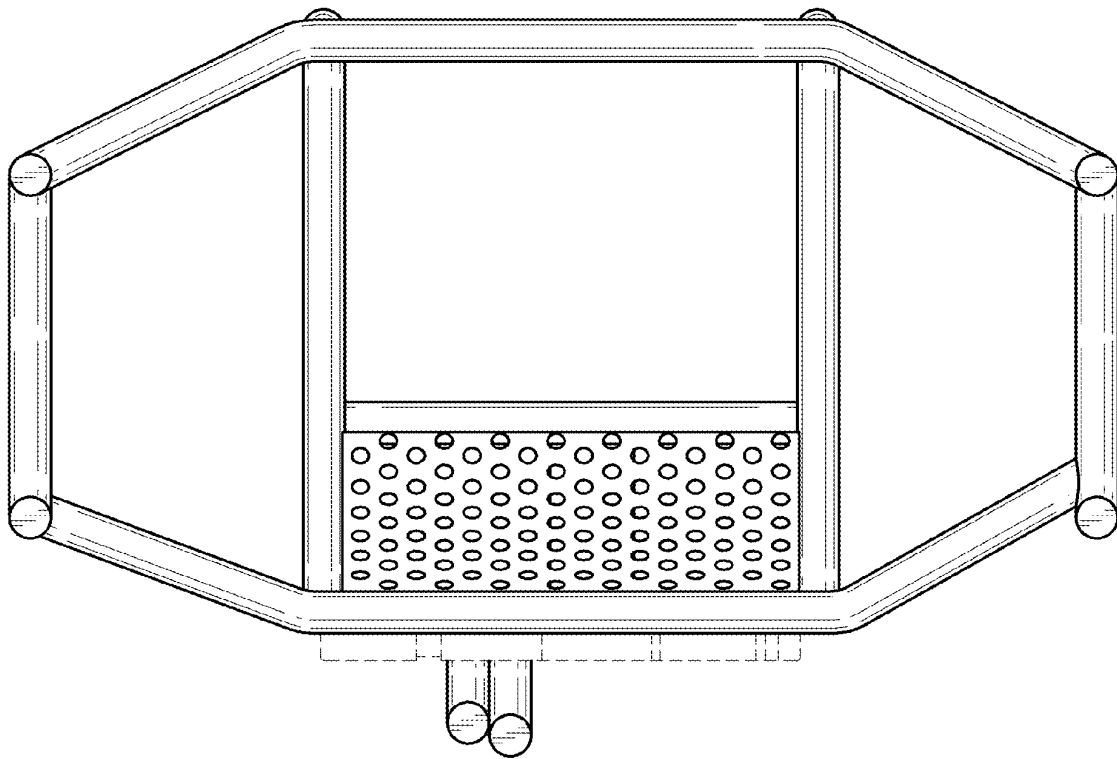
**FIG. 1**



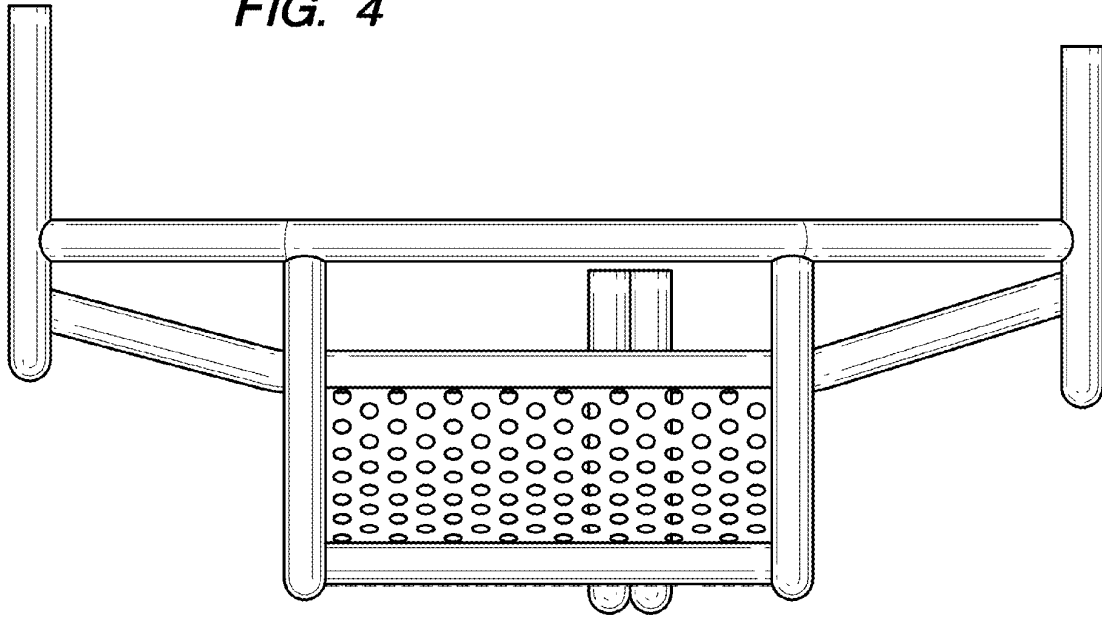
**FIG. 2**



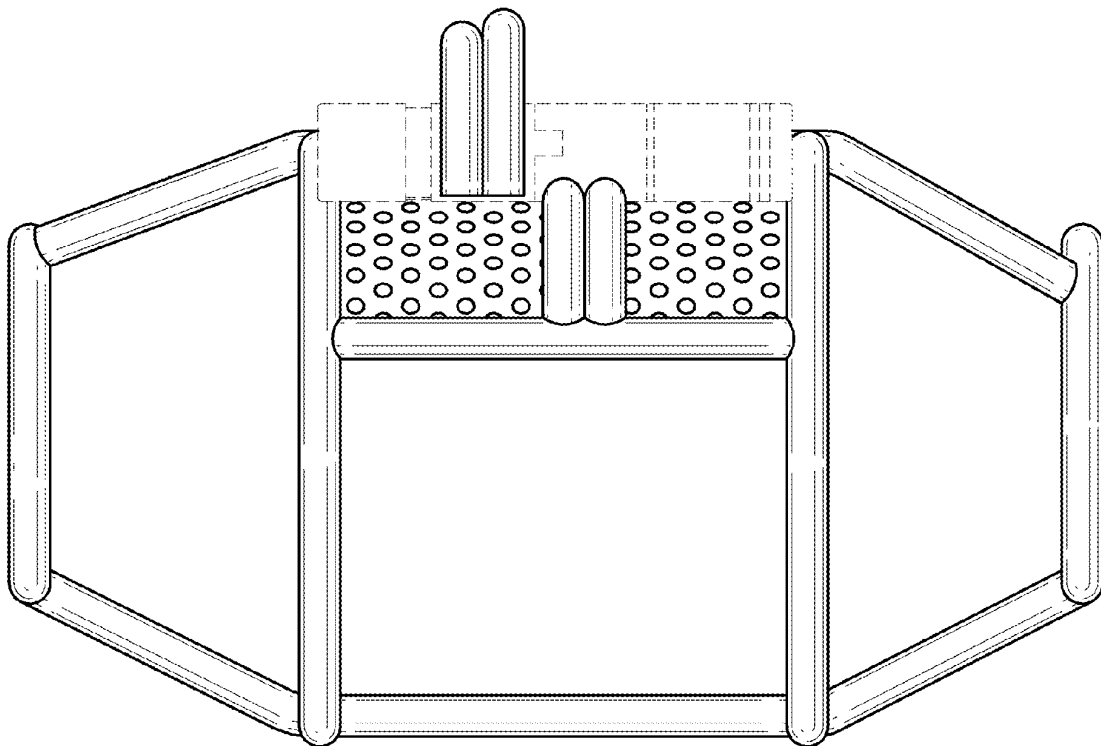
**FIG. 3**



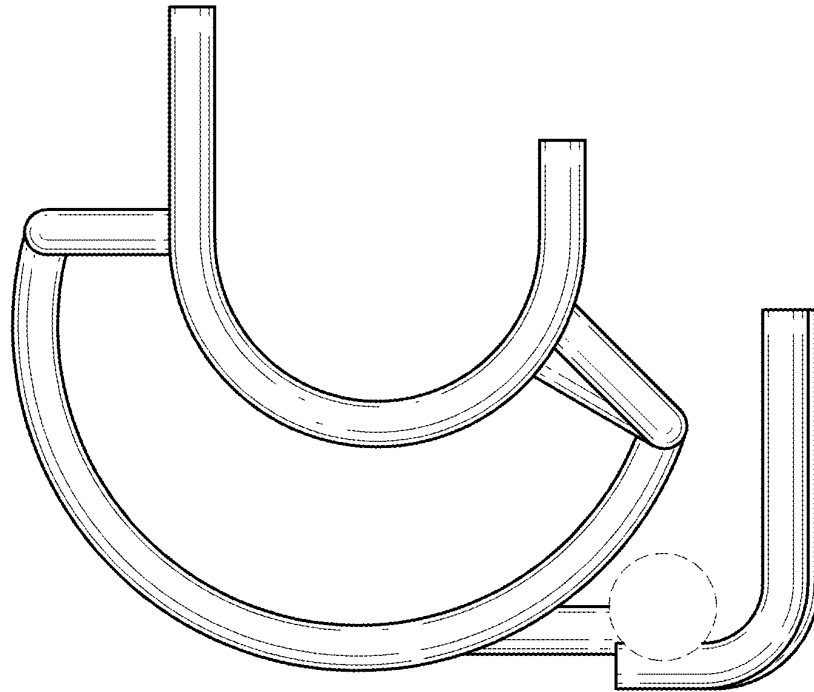
**FIG. 4**



**FIG. 5**



**FIG. 6**



**FIG. 7**

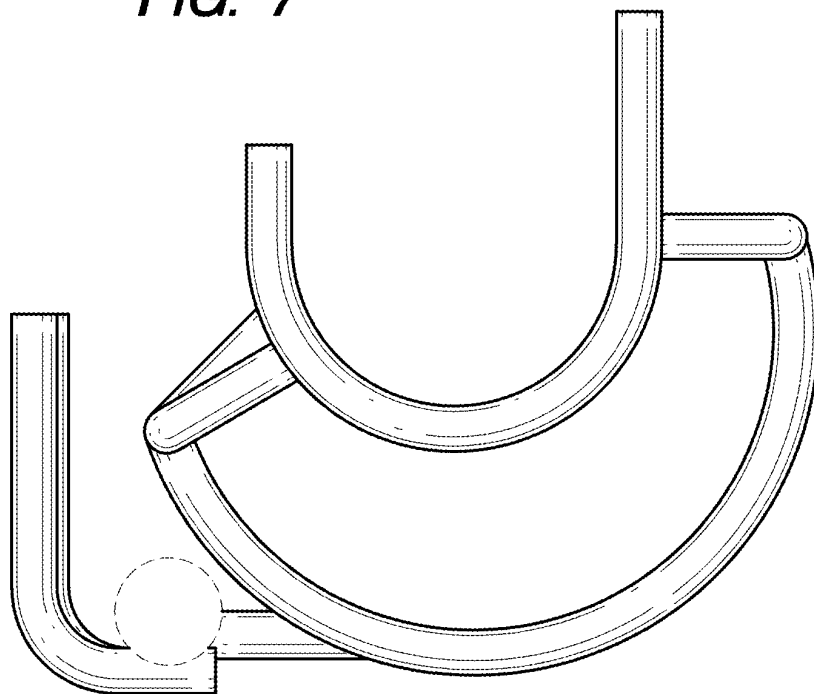
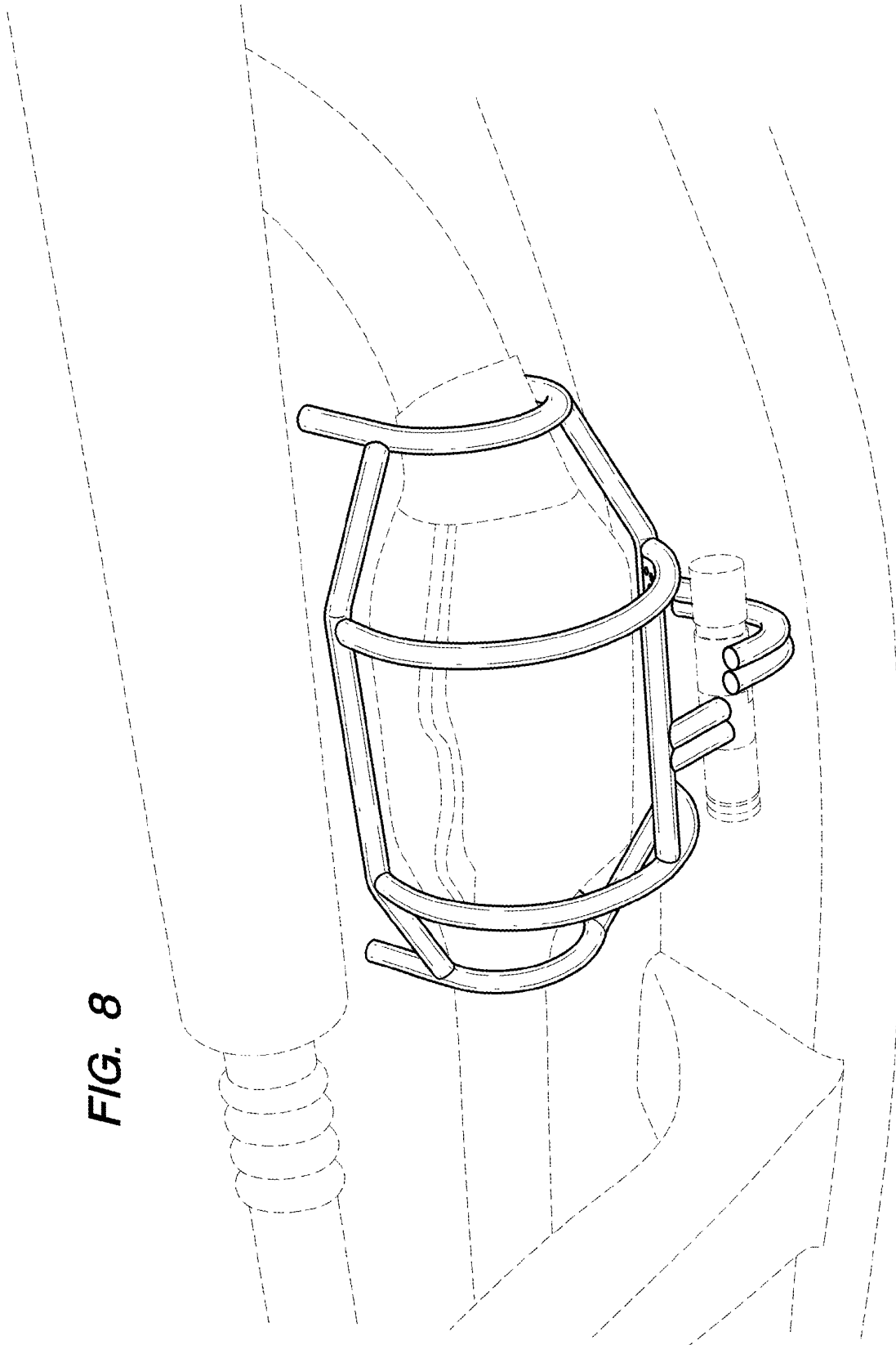
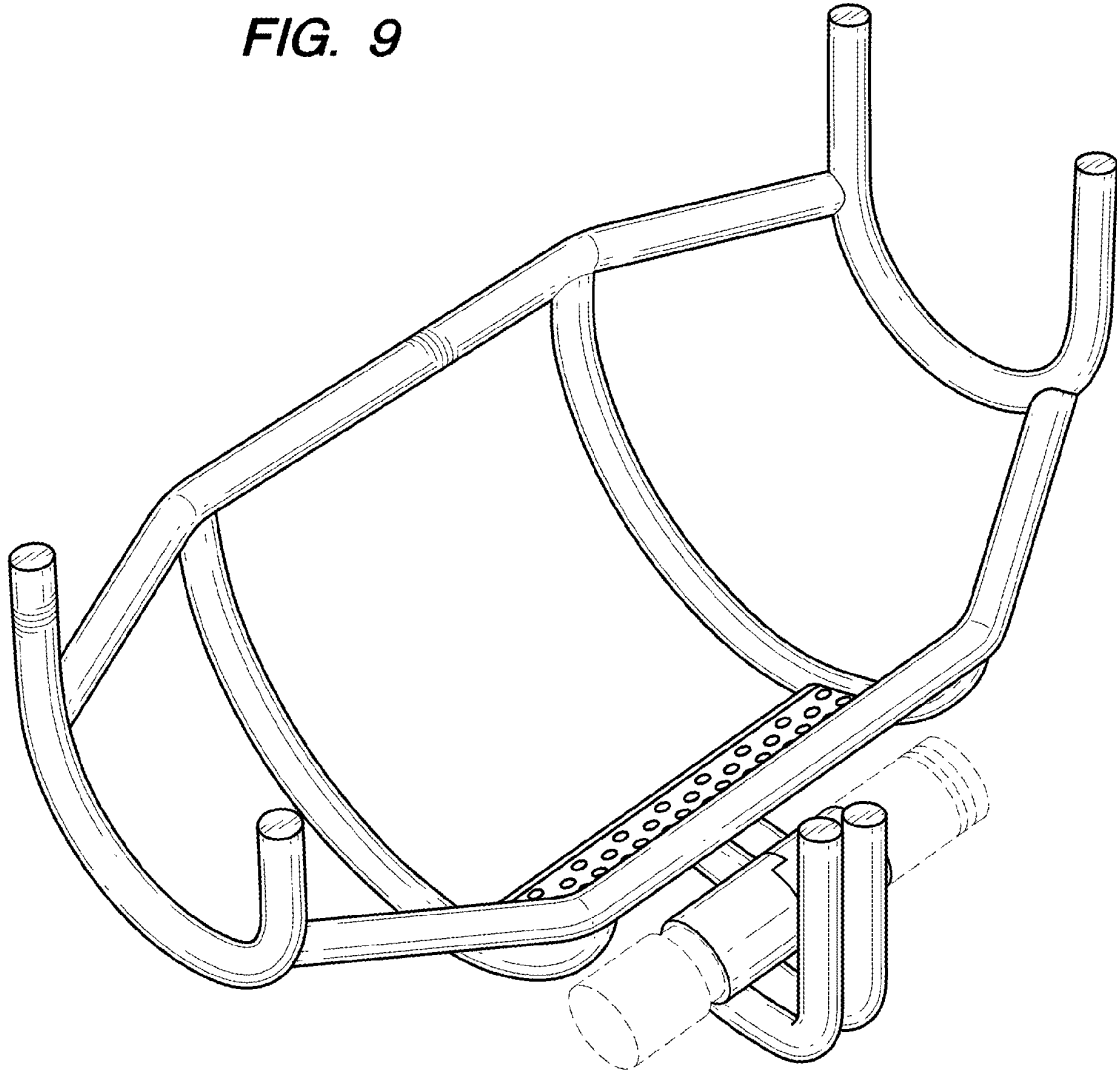


FIG. 8

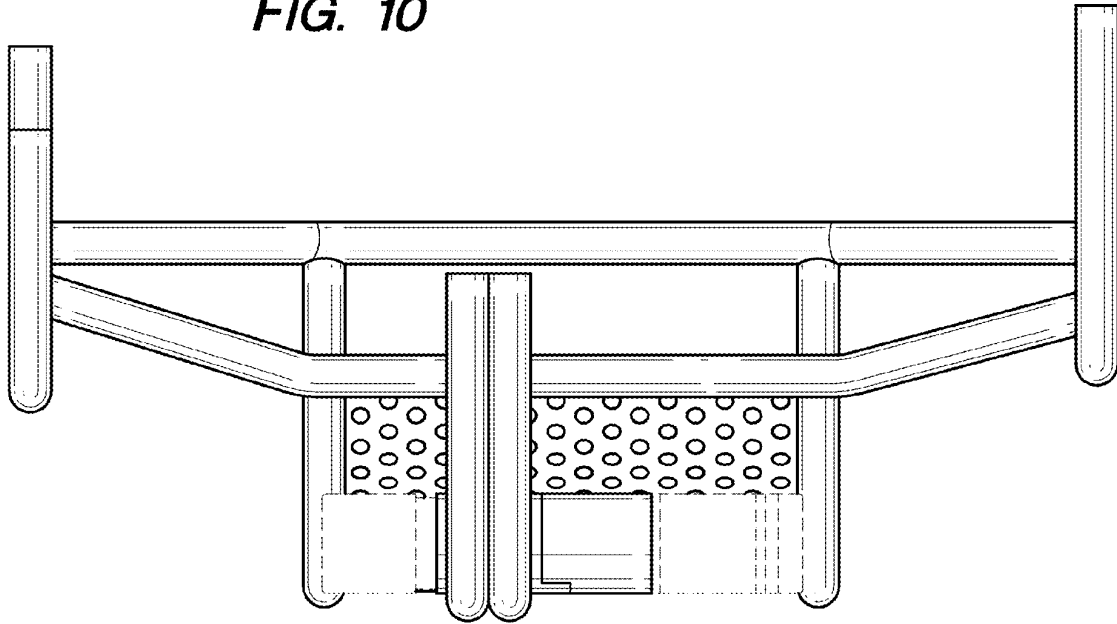


**FIG. 9**

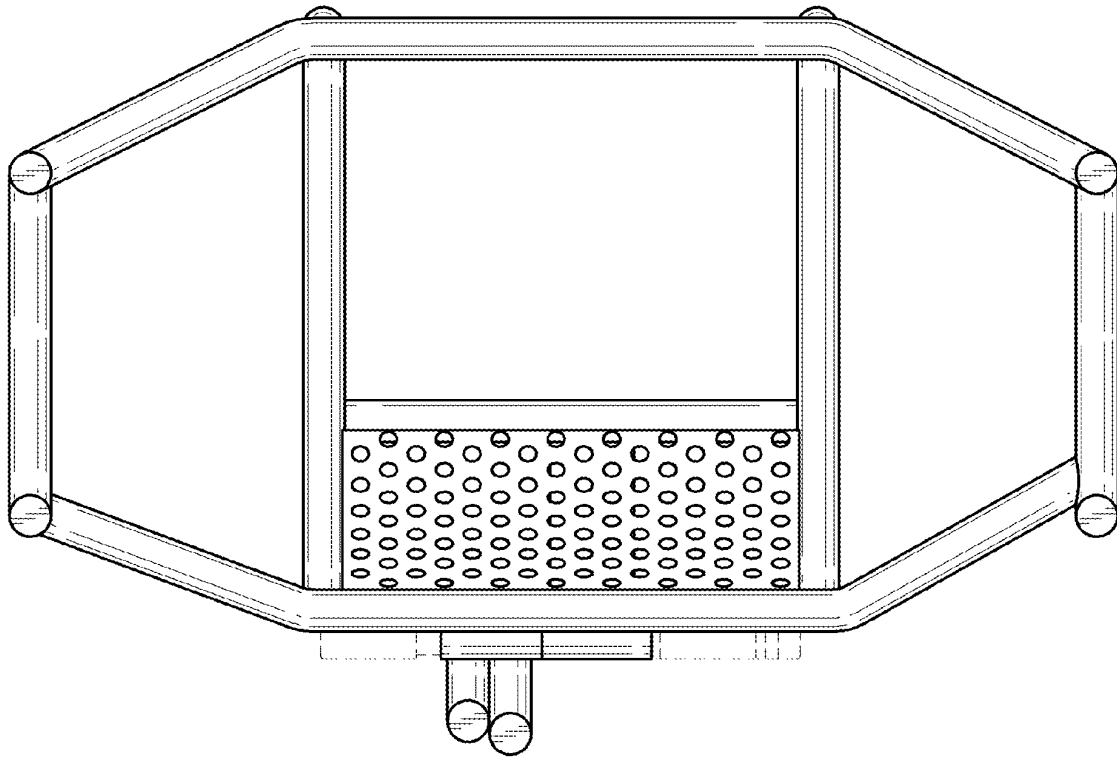




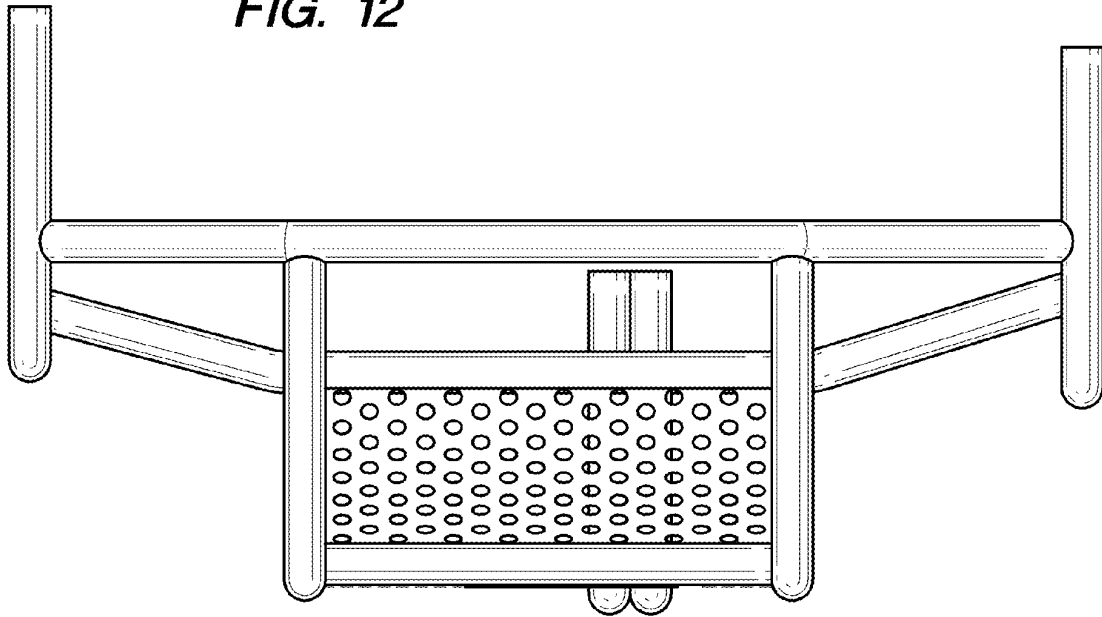
**FIG. 10**



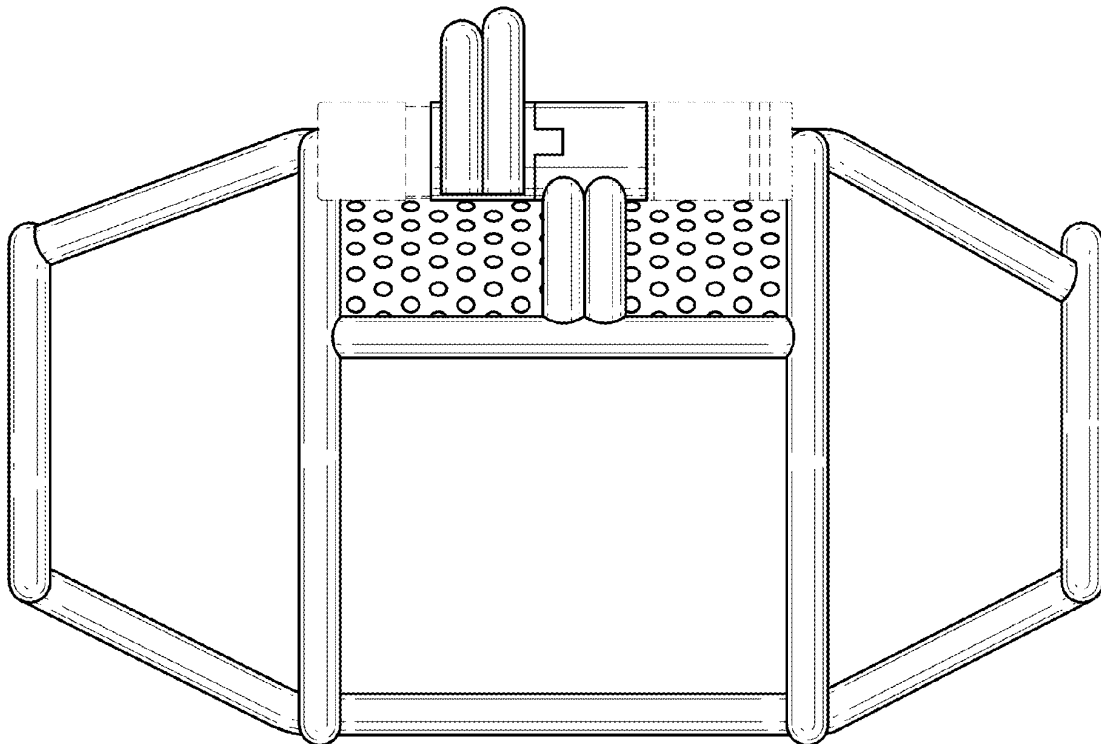
**FIG. 11**



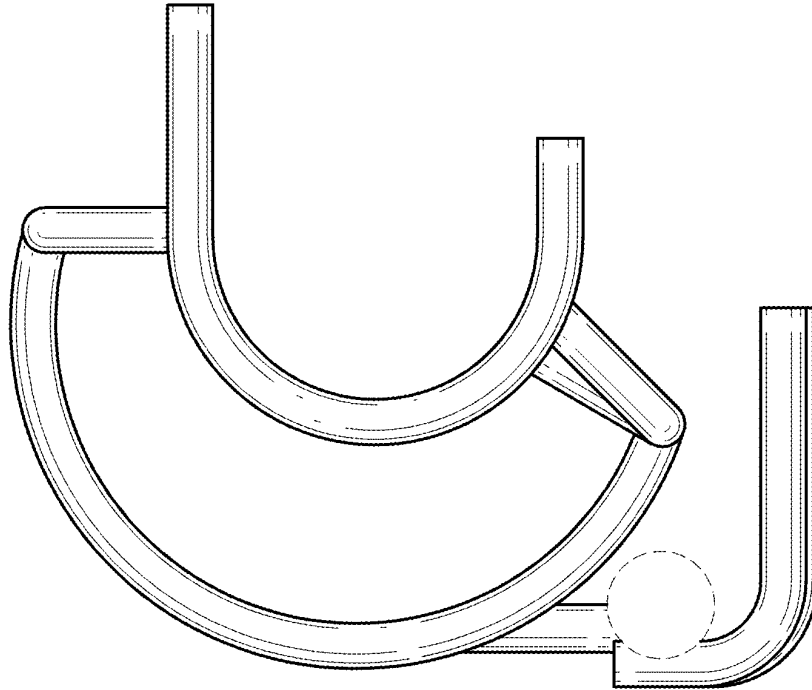
**FIG. 12**



**FIG. 13**



**FIG. 14**



**FIG. 15**

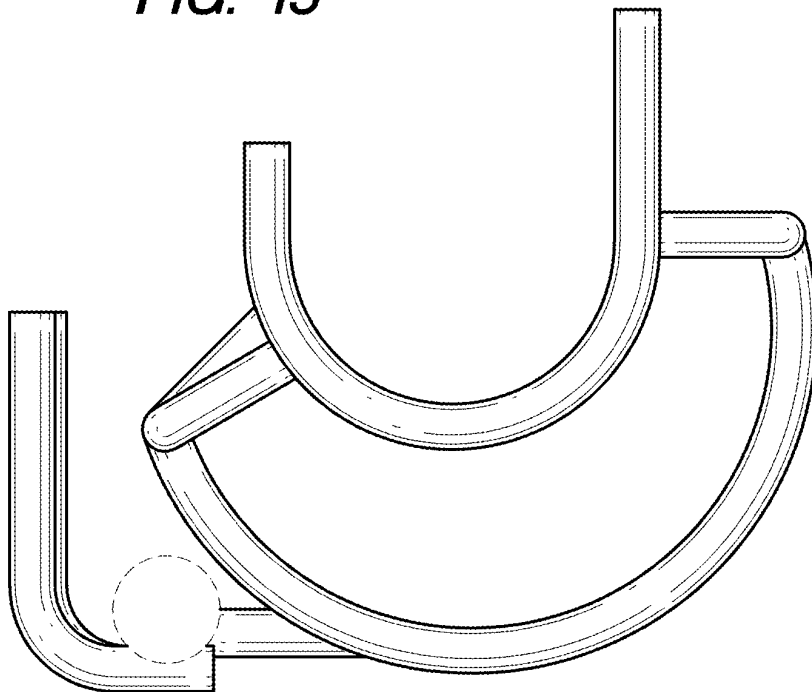


FIG. 16

