



US00D850134S

(12) **United States Design Patent**
Kian

(10) **Patent No.:** **US D850,134 S**

(45) **Date of Patent:** **** Jun. 4, 2019**

(54) **RECLINING CHAISE FRAME**

com/outdoor/pdp/latitude-run-ryele-contemporary-chaise-lounge-with-cushion-1der2714.html (Year: 2016).*

(71) Applicant: **Shawn Kian**, Sacramento, CA (US)

(Continued)

(72) Inventor: **Shawn Kian**, Sacramento, CA (US)

Primary Examiner — Mary Ann Calabrese

Assistant Examiner — Catherine Ho

(**) Term: **15 Years**

(74) *Attorney, Agent, or Firm* — Craig A. Simmermon

(21) Appl. No.: **29/611,419**

(57) **CLAIM**

(22) Filed: **Jul. 21, 2017**

I claim the ornamental design for a reclining chaise frame, as shown and described.

(51) **LOC (11) Cl.** **06-01**

(52) **U.S. Cl.**
USPC **D6/368**; D6/361

DESCRIPTION

(58) **Field of Classification Search**
USPC D6/334–336, 361, 368, 382, 374–381,
D6/716, 716.1–716.8, 717.2
CPC A47C 4/00; A47C 4/02; A47C 4/03; A47C
4/04; A47C 4/08; A47C 4/10; A47C 4/14;
A47C 5/10; A47C 17/00; A47C 17/64;
A47C 17/70
See application file for complete search history.

FIG. 1 is a top left perspective view of a reclining chaise frame in an extended position, showing my new design; FIG. 2 is a front elevation view thereof; FIG. 3 is a right side elevation view thereof, the left side elevation view being a mirror image thereof; FIG. 4 is a bottom plan view thereof; FIG. 5 is a rear elevation view thereof; FIG. 6 is a cross-sectional view of the inside-side of the reclining chaise frame taken in the direction of section 6-6 of FIG. 4;

(56) **References Cited**

U.S. PATENT DOCUMENTS

6,311,348	BI*	11/2001	Luff	A47C 20/041
					5/613
D650,602	S	* 12/2011	Massaud	D6/361
D653,870	S	* 2/2012	Messenger	D6/361
D703,965	S	* 5/2014	Kielbon	D6/361
D722,782	S	* 2/2015	Sherwood	D6/382
D733,452	S	* 7/2015	Rawls-Meehan	D6/361
D783,299	S	* 4/2017	Cochran	D6/361
D784,718	S	* 4/2017	Bellingroth	D6/382
2014/0053340	A1*	2/2014	Viberg	A47C 20/041
					5/657

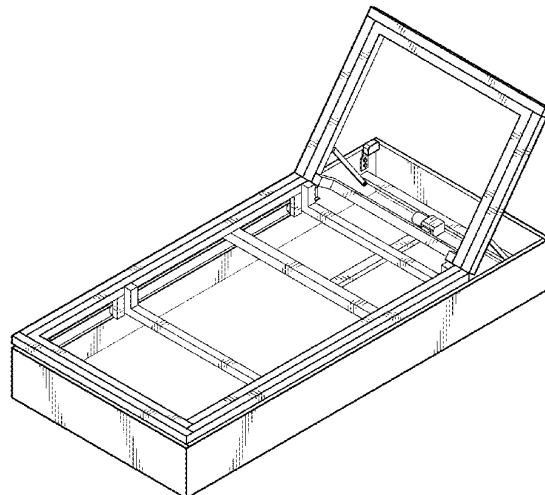
FIG. 7 is a top left perspective view of a reclining chaise frame in a collapsed position, showing my new design; FIG. 8 is a front elevation view thereof; FIG. 9 is a right side elevation view thereof, the left side elevation view being a mirror image thereof; FIG. 10 is a bottom plan view thereof; FIG. 11 is a rear elevation view thereof; FIG. 12 is a cross-sectional view of the inside-side of the reclining chaise frame taken in the direction of section 12-12 of FIG. 10; and,

OTHER PUBLICATIONS

Ryele, posted at Wayfair.com, posted on Jun. 16, 2016, site visited Nov. 3, 2018. online, available from internet: <https://www.wayfair.com>

FIG. 13 is a top left perspective view of a reclining chaise frame in extended position shown in an environment of use. Broken lines in the drawings represent unclaimed environmental subject matter and form no part of the claimed design.

1 Claim, 9 Drawing Sheets



(56)

References Cited

OTHER PUBLICATIONS

Asellus, posted at Wayfair.com, posted on Nov. 9, 2016, site visited Nov. 3, 2018. online, available from internet: <https://www.wayfair.com/outdoor/pdp/brayden-studio-asellus-chaise-lounge-set-with-cushions-and-table-brsu1447.html> (Year: 2016).*

* cited by examiner

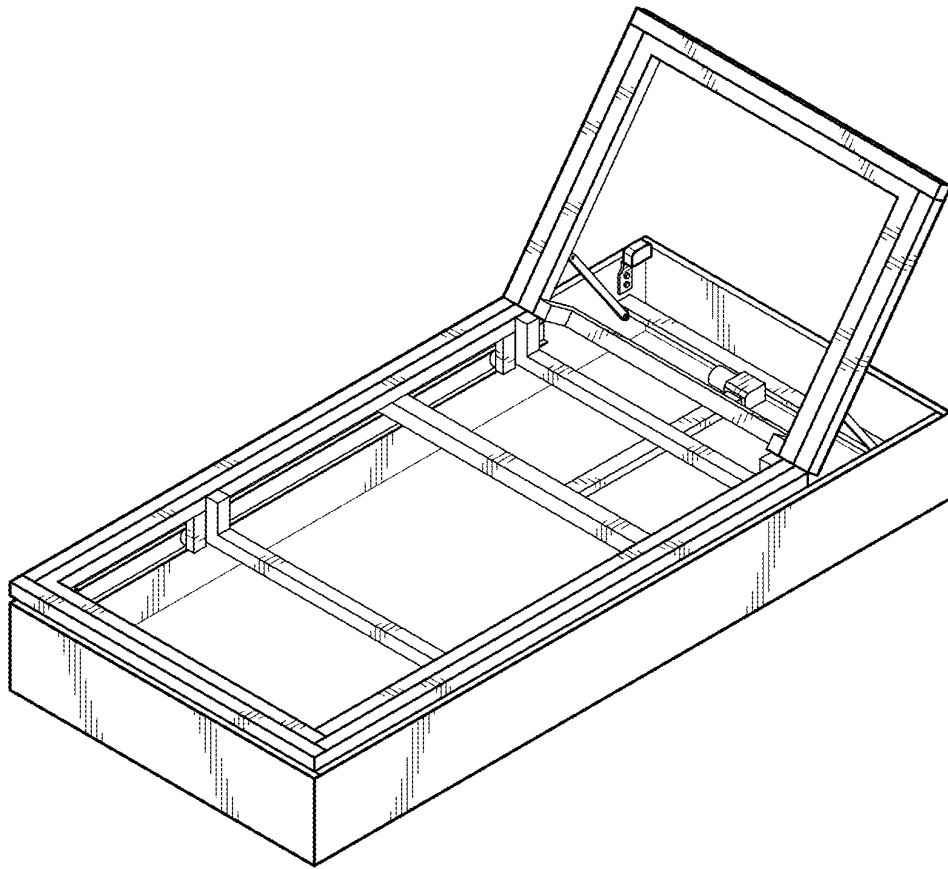


FIG. 1

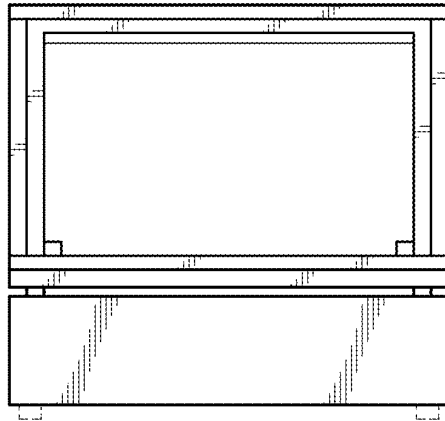


FIG. 2

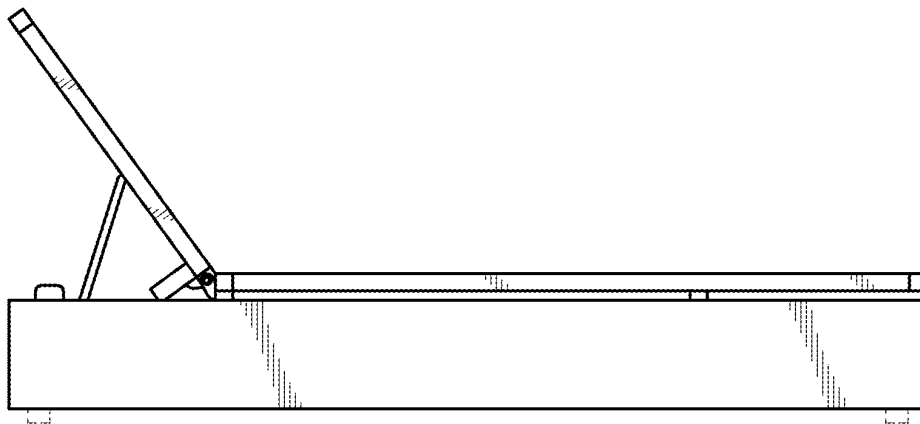


FIG. 3

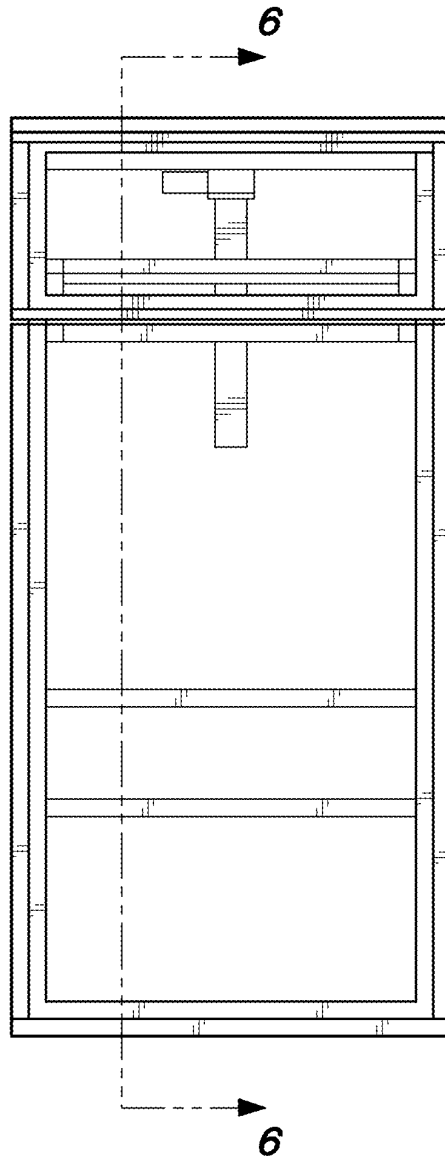


FIG. 4

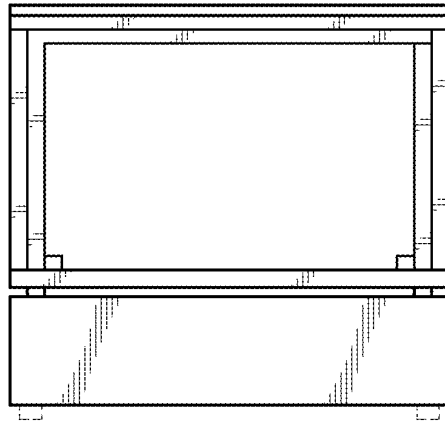


FIG. 5

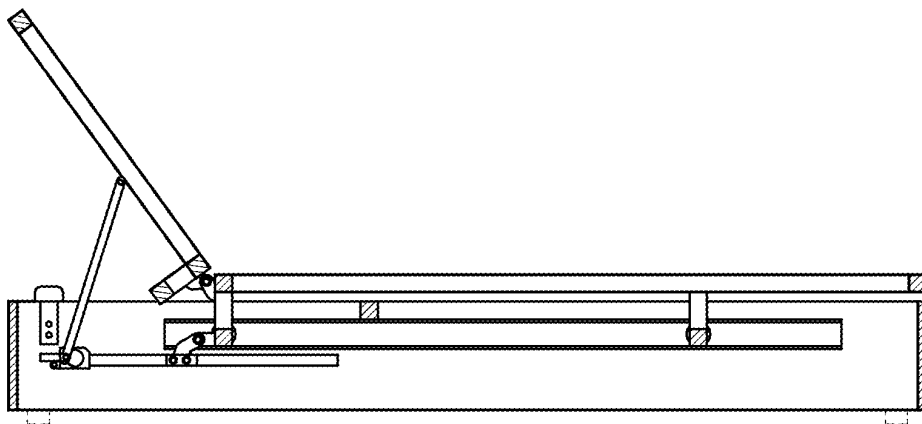


FIG. 6

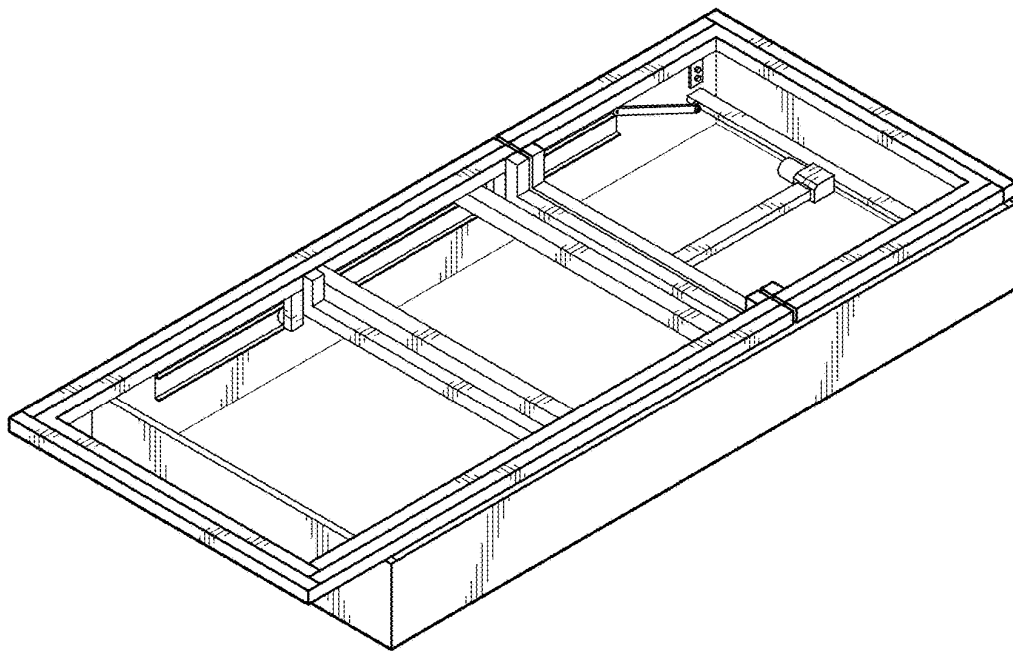


FIG. 7

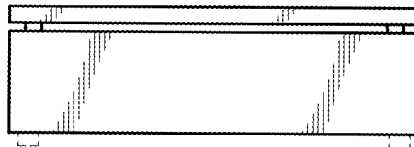


FIG. 8

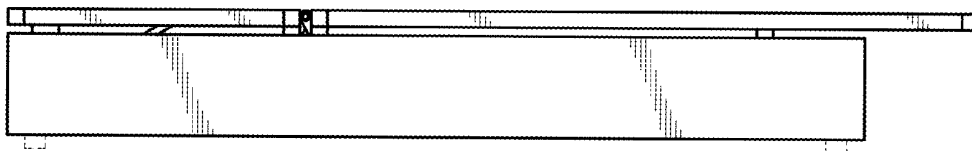


FIG. 9

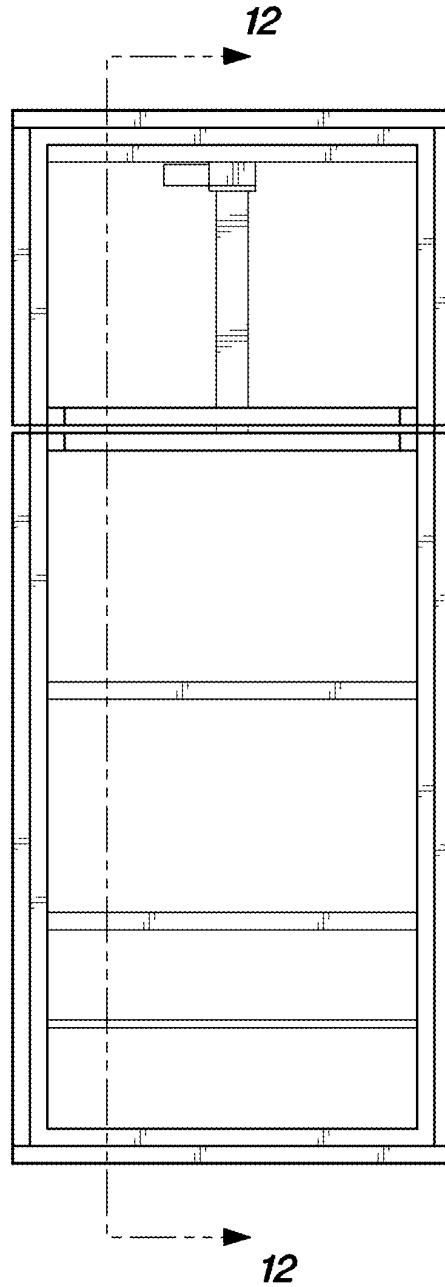


FIG. 10

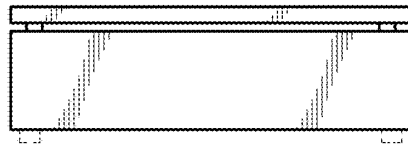


FIG. 11

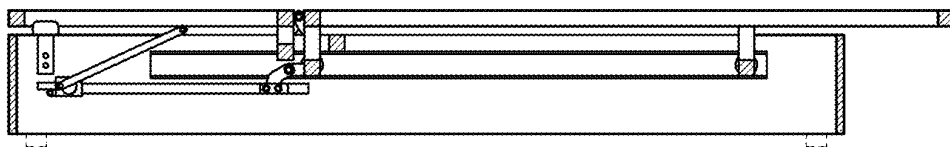


FIG. 12

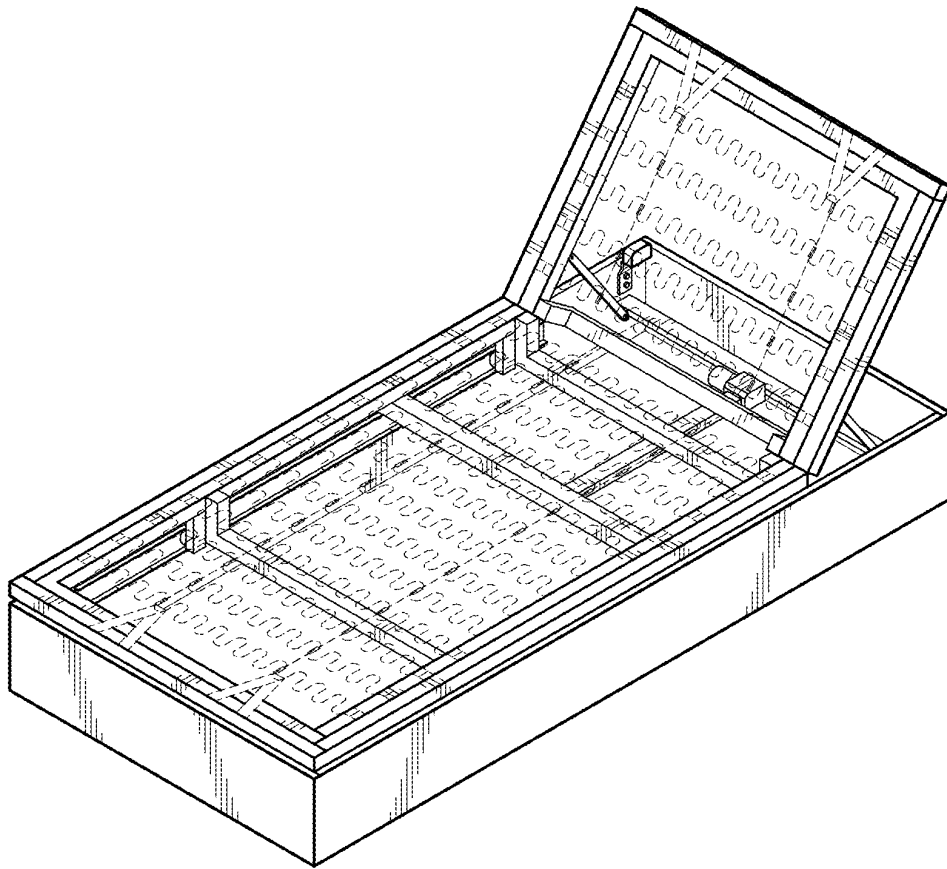


FIG. 13