



US00D836976S

(12) **United States Design Patent**
Reese et al.

(10) **Patent No.:** **US D836,976 S**
(45) **Date of Patent:** **** Jan. 1, 2019**

(54) **GROUND GLASS TAPERED JOINT TO MASON JAR ADAPTOR**

(71) Applicants: **Ashlee Reese**, Rancho Cordova, CA (US); **Shawn Reese**, Rancho Cordova, CA (US); **Roy Lautamo**, Placerville, CA (US)

(72) Inventors: **Ashlee Reese**, Rancho Cordova, CA (US); **Shawn Reese**, Rancho Cordova, CA (US); **Roy Lautamo**, Placerville, CA (US)

(**) Term: **15 Years**

(21) Appl. No.: **29/583,697**

(22) Filed: **Nov. 8, 2016**

(51) **LOC (11) Cl.** **07-99**

(52) **U.S. Cl.**
USPC **D7/396.2**; D8/397

(58) **Field of Classification Search**
USPC D7/387, 392.1, 396.1, 396.2, 397, 509, D7/510, 511, 417, 213, 900; D8/349, D8/350, 352, 353, 382, 394, 499, 21, 29, D8/33, 60, 300, 321, 310, 354, 373, D8/396-399, 402, 403; D13/133, 148, D13/150, 151, 152, 154, 156, 173, 174, D13/183, 184, 199; D25/113, 115, D25/117-119, 121, 122, 124, 199; D6/580, 702, 708, 708.2, 708.21; D11/181, 182

CPC B65D 41/04; B65D 41/05; B65D 43/0266; F16B 37/00; F16B 37/14; F16B 37/08; F16B 39/24; F16B 43/00; F16B 35/00; F16B 31/021; B25B 13/44; B25B 13/50; B25B 13/56; B67C 2011/20

See application file for complete search history.

(56) **References Cited**

U.S. PATENT DOCUMENTS

5,755,418 A * 5/1998 Kracke A47G 23/0241
211/74
6,109,581 A * 8/2000 Kracke A47G 23/0241
211/74
6,408,918 B1 * 6/2002 Hummell B32B 38/1841
156/391
D646,153 S * 10/2011 Andersson D8/397
D646,154 S * 10/2011 Andersson D8/397
D659,529 S * 5/2012 Ojanen D8/399

(Continued)

OTHER PUBLICATIONS

Female NPT adaptor | posted at es-technologies.com, posted in 2014 [online], [site visited Sep. 25, 2018]. Available from Internet< URL: http://www.es-technologies.com/prod_nameVV-40-APF-25.aspx> (Year: 2014).*

(Continued)

Primary Examiner — Derrick E Holland
Assistant Examiner — Andrew Kerr
(74) *Attorney, Agent, or Firm* — Craig A. Simmermon

(57)

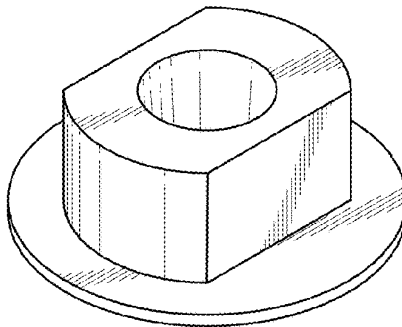
CLAIM

We claim the ornamental design for a ground glass tapered joint to mason jar adaptor, as shown and described.

DESCRIPTION

FIG. 1 is a top perspective view of a ground glass tapered joint to mason jar adaptor showing my new design.
FIG. 2 is a top plan view thereof.
FIG. 3 is a right side elevation view thereof, which is the same as the left side elevation view thereof.
FIG. 4 is a front elevation view thereof, which is the same as the rear elevation view thereof.
FIG. 5 is a bottom plan view thereof; and,
FIG. 6 is a top perspective view of my design in use.
The features shown in broken lines depict environmental structure only and form no part of the claimed design.

1 Claim, 2 Drawing Sheets



(56)

References Cited

U.S. PATENT DOCUMENTS

D679,988	S *	4/2013	Yamazaki	D8/397
D699,545	S *	2/2014	Ackerman	D8/349
D722,489	S *	2/2015	Yamazaki	D8/387
D733,558	S *	7/2015	Wyne	D9/436
D735,569	S *	8/2015	Reusing	D8/397
D738,714	S *	9/2015	Kuhmichel	D8/397
D768,473	S *	10/2016	Manwaring	D23/262
D775,712	S *	1/2017	Kim	D23/209
D796,309	S *	9/2017	Cruz	D8/397
D798,701	S *	10/2017	Hill	F16B 35/00
					D8/397
D799,315	S *	10/2017	May	D8/397
D800,544	S *	10/2017	Schuit	D8/397
D802,410	S *	11/2017	Felix	D8/397
D811,209	S *	2/2018	Tincher	D8/399
D819,436	S *	6/2018	Park	D8/397
2016/0010678	A1 *	1/2016	Ortega Dona	F16B 37/00
					411/432
2016/0108951	A1 *	4/2016	Hsu	F16B 31/021
					411/427

OTHER PUBLICATIONS

FNPT | posted at vacuumfitting.com, no date given, [site visited Sep. 25, 2018]. Available from Internet, <URL: <http://vacuumfitting.com/nw25-x-125-female-national-pipe-tap-fnpt-aluminum-1-8-fnpt/>> (Year: 2018).*

NW/KF Adaptors | posted at waybackmachine.com, archived on Mar. 16, 2015 [online], [site visited Sep. 25, 2018]. Available from Internet, <URL: https://web.archive.org/web/20150316205944/https://www.tedpella.com/vacuum_html/NW_KF_Flange_Adapters.htm> (Year: 2015).*

* cited by examiner

FIG. 1

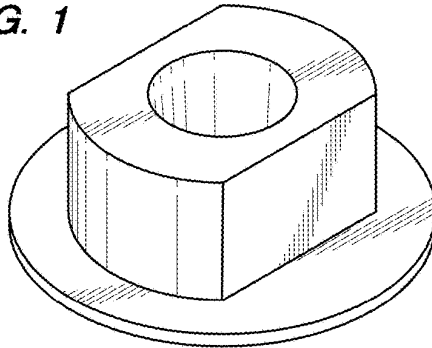


FIG. 2

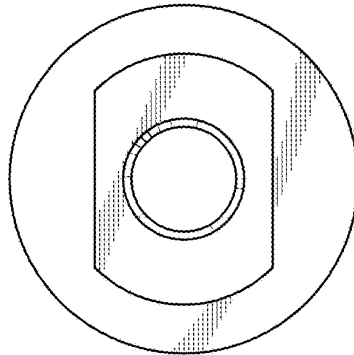


FIG. 3

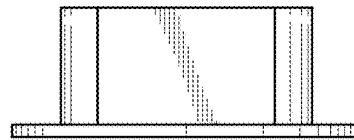


FIG. 5

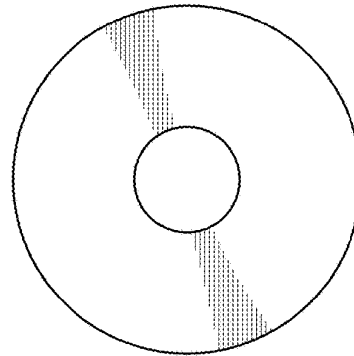


FIG. 4

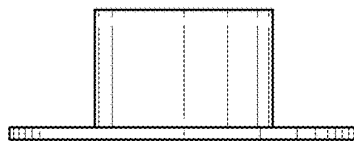


FIG. 6

