



US00D798135S

(12) **United States Design Patent**
Douppnik

(10) **Patent No.:** **US D798,135 S**

(45) **Date of Patent:** **** Sep. 26, 2017**

(54) **DOUBLE SIGN BRACKET**

(71) Applicant: **Cole Douppnik**, Lincoln, CA (US)

(72) Inventor: **Cole Douppnik**, Lincoln, CA (US)

(**) Term: **15 Years**

(21) Appl. No.: **29/589,043**

(22) Filed: **Dec. 27, 2016**

(51) **LOC (10) Cl.** **08-08**

(52) **U.S. Cl.**
USPC **D8/382**

(58) **Field of Classification Search**
USPC D8/71, 106, 349, 354, 355, 373, 380,
D8/382, 394; D20/10, 41, 42, 43, 99
CPC . G09F 1/103; G09F 3/204; G09F 3/16; G09F
7/00; G09F 7/18; G09F 2007/1821; G09F
2007/1843; G09F 2007/1847
See application file for complete search history.

5,697,591 A * 12/1997 Cooper F21V 21/08
248/229.16

D538,634 S * 3/2007 King D8/380

D553,968 S * 10/2007 Skinner D8/382

D558,040 S * 12/2007 Skinner D8/354

D564,868 S * 3/2008 Terada D8/382

D595,115 S * 6/2009 Royer D8/354

2005/0217198 A1 * 10/2005 Carraher E04C 5/163
52/719

2008/0115448 A1 * 5/2008 Kodi E04C 5/167
52/719

2010/0192434 A1 * 8/2010 Smith G09F 7/18
40/606.01

* cited by examiner

Primary Examiner — Sandra Snapp
Assistant Examiner — Ieisha Price
 (74) *Attorney, Agent, or Firm* — Craig A. Simmermon

(57) **CLAIM**

I claim the ornamental design for a double sign bracket, as shown and described.

DESCRIPTION

FIG. 1 is a perspective view of a double sign bracket showing my new design;
 FIG. 2 is a top plan view thereof;
 FIG. 3 is a front elevation view thereof;
 FIG. 4 is a bottom plan view thereof;
 FIG. 5 is a right side elevation view thereof;
 FIG. 6 is a rear elevation view thereof; and,
 FIG. 7 is a left side elevation view thereof.

1 Claim, 4 Drawing Sheets

(56) **References Cited**

U.S. PATENT DOCUMENTS

1,848,085 A * 3/1932 Eisenschmidt E04G 7/02
249/219.1

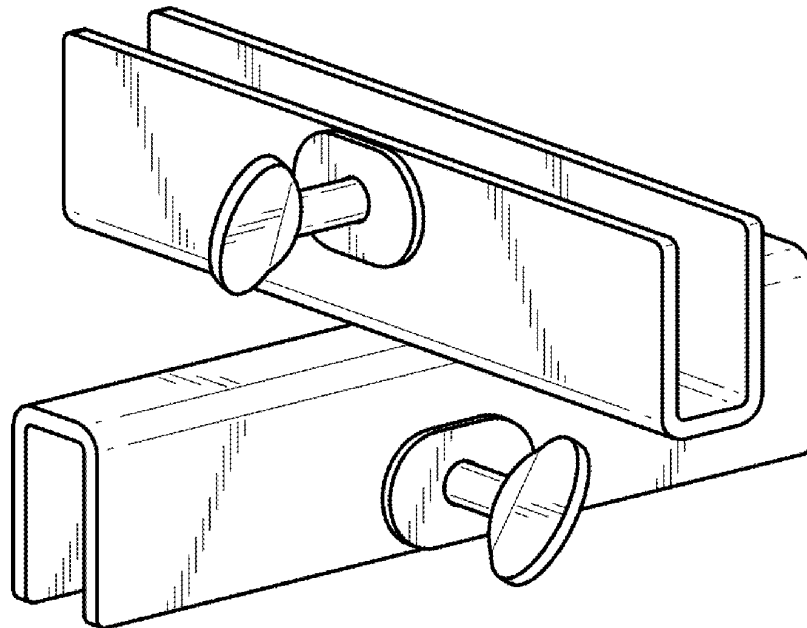
4,217,716 A * 8/1980 Acquaviva G09F 7/18
40/607.11

4,262,438 A * 4/1981 Scherer G09F 7/18
40/607.11

D355,582 S * 2/1995 Sleight D8/354

D374,811 S * 10/1996 Miyashita D8/382

D375,040 S * 10/1996 Miyashita D8/382



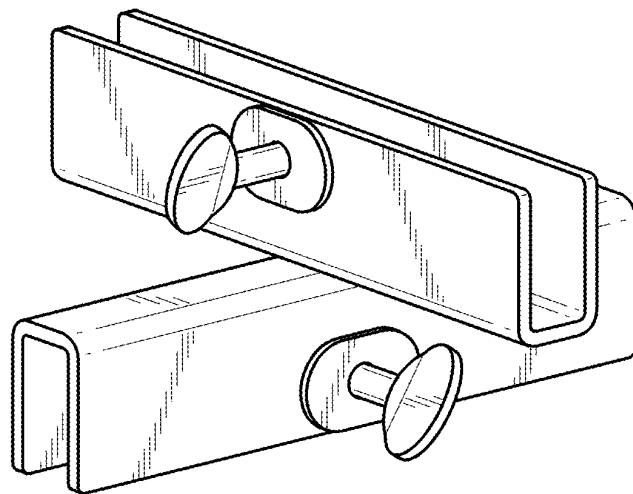


FIG. 1

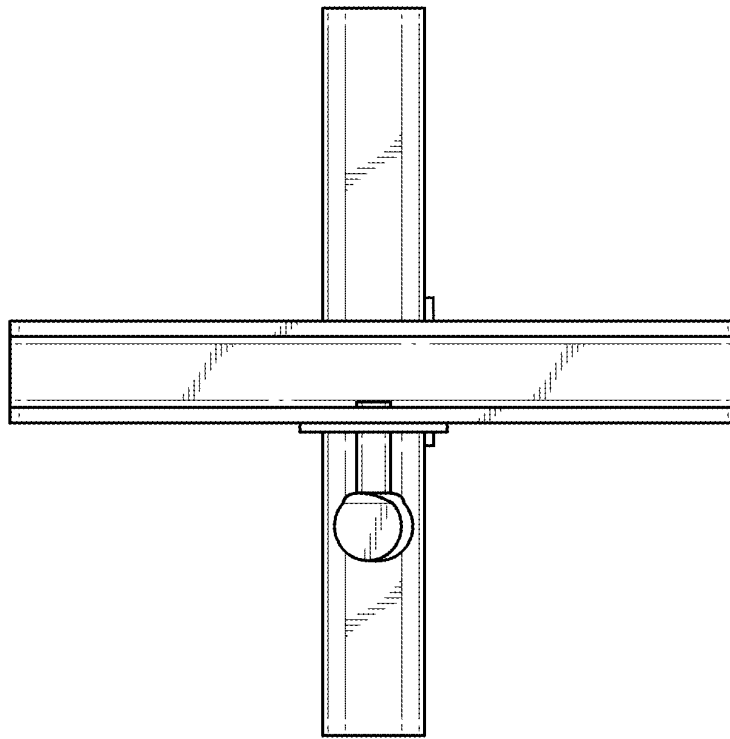


FIG. 2

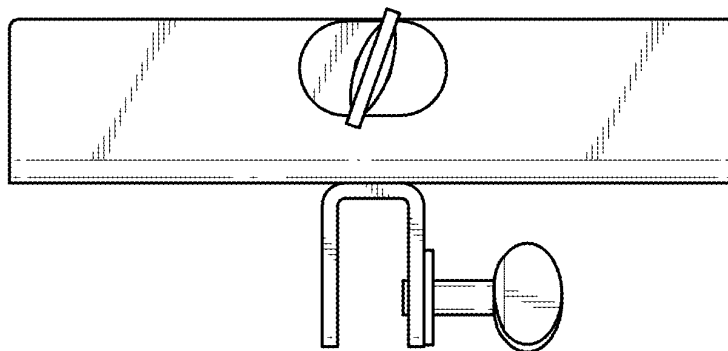


FIG. 3

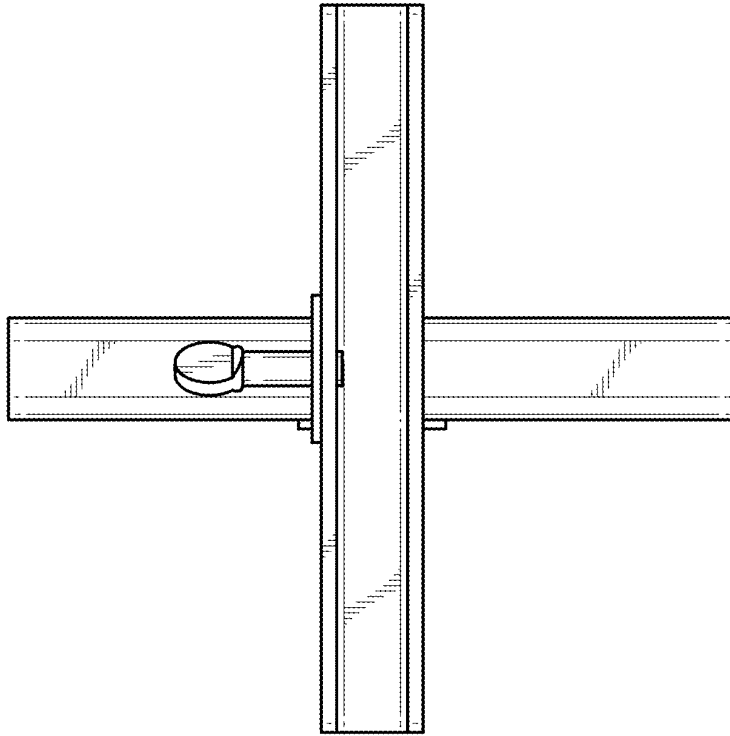


FIG. 4

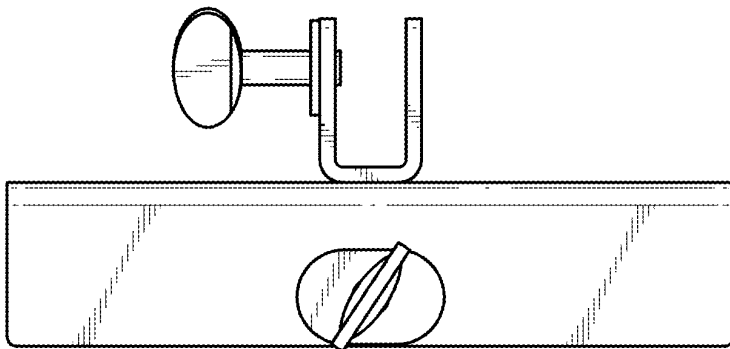


FIG. 5

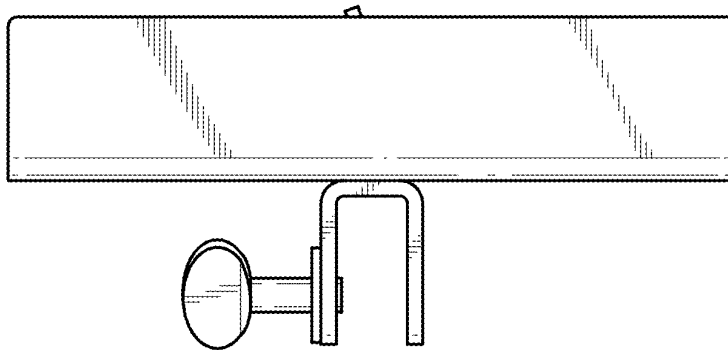


FIG. 6

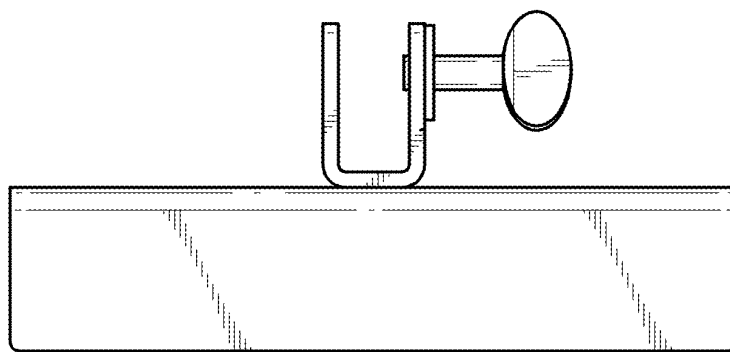


FIG. 7