



US00D784655S

(12) **United States Design Patent**  
**Carlson**

(10) **Patent No.:** **US D784,655 S**

(45) **Date of Patent:** **\*\* Apr. 25, 2017**

(54) **LOINCLOTH SWIMSUIT**

(71) Applicant: **Everett E. Carlson**, West Point, CA  
(US)

(72) Inventor: **Everett E. Carlson**, West Point, CA  
(US)

(\*\*) Term: **15 Years**

(21) Appl. No.: **29/548,671**

(22) Filed: **Dec. 15, 2015**

(51) **LOC (10) Cl.** ..... **02-02**

(52) **U.S. Cl.**  
USPC ..... **D2/738**

(58) **Field of Classification Search**  
USPC ..... D2/269, 731, 738, 735; 2/67, 69-71, 73,  
2/238, 243.1, 400, 402, 403  
CPC ..... A41D 1/00; A41D 7/005; A41D 7/001;  
A41B 1/00  
See application file for complete search history.

(56) **References Cited**

**U.S. PATENT DOCUMENTS**

3,774,241 A \* 11/1973 Zerkle ..... A41D 7/005  
2/403  
4,028,740 A \* 6/1977 Luerken ..... A41D 7/005  
2/67  
D262,836 S \* 2/1982 Dietz ..... D2/735  
D456,108 S \* 4/2002 Frederick ..... D2/629

D503,513 S \* 4/2005 McCarthy ..... D2/735  
D655,477 S \* 3/2012 Robinson ..... D2/738  
D755,474 S \* 5/2016 Lopez ..... D2/731

\* cited by examiner

*Primary Examiner* — Wan Laymon

*Assistant Examiner* — Clint A Samuel

(74) *Attorney, Agent, or Firm* — Craig A. Simmermon

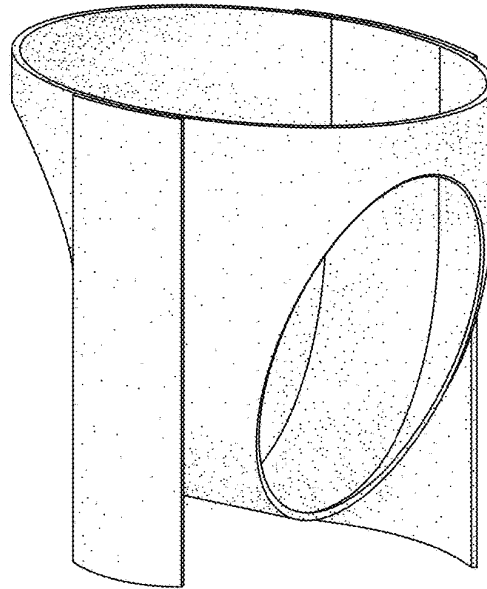
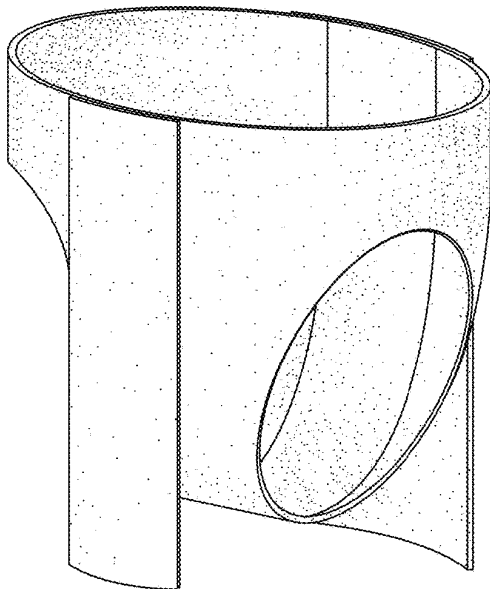
(57) **CLAIM**

I claim the ornamental design for a loincloth swimsuit, as shown and described.

**DESCRIPTION**

FIG. 1 is a perspective view of a loincloth swimsuit showing my new design.  
FIG. 2 is a front elevation view thereof.  
FIG. 3 is a rear elevation view thereof.  
FIG. 4 is a right side elevation view thereof.  
FIG. 5 is a left side elevation view thereof.  
FIG. 6 is a top plan view thereof.  
FIG. 7 is a bottom plan view thereof.  
FIG. 8 is a perspective view of a loincloth swimsuit in high-cut mode showing my new design.  
FIG. 9 is a front elevation view thereof.  
FIG. 10 is a rear elevation view thereof.  
FIG. 11 is a right side elevation view thereof.  
FIG. 12 is a left side elevation view thereof.  
FIG. 13 is a top plan view thereof; and,  
FIG. 14 is a bottom plan view thereof.

**1 Claim, 14 Drawing Sheets**



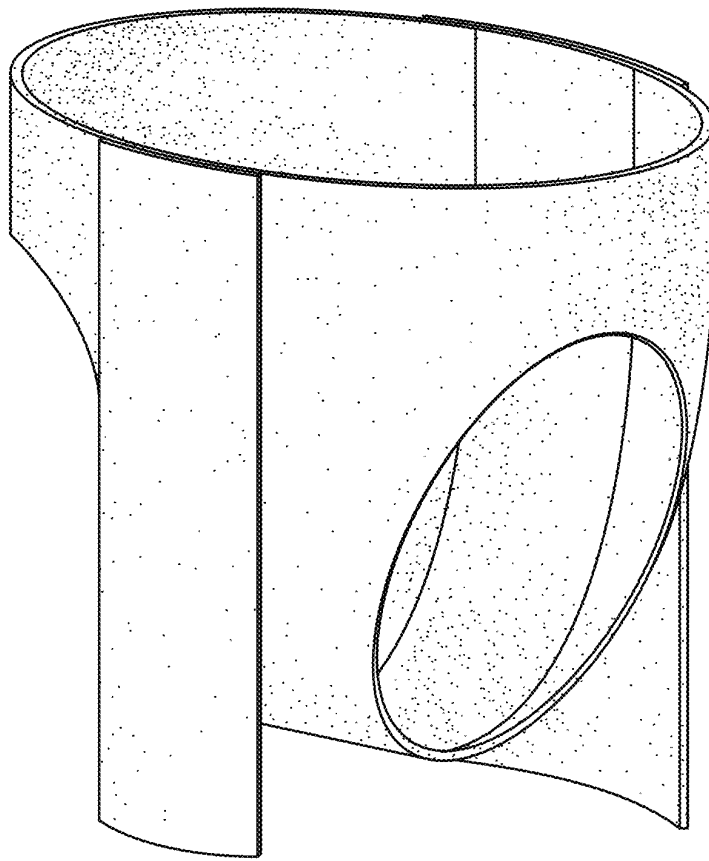


FIG. 1

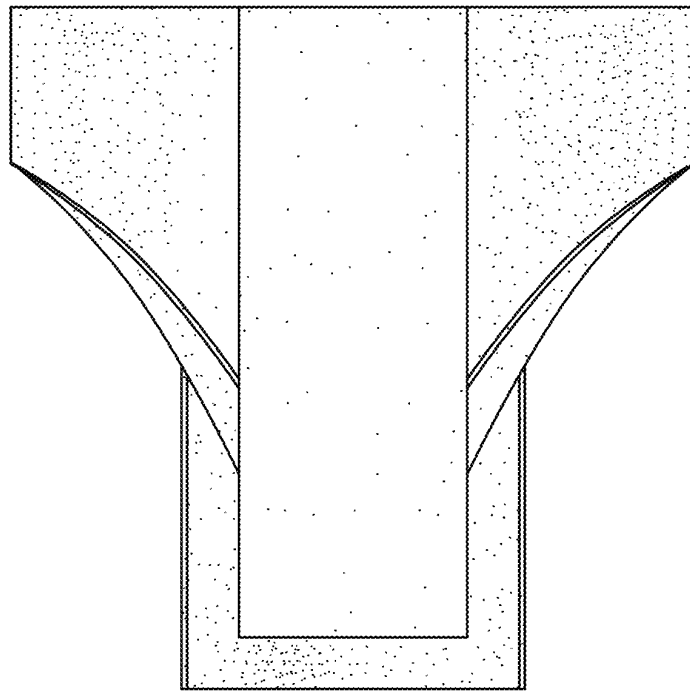


FIG. 2

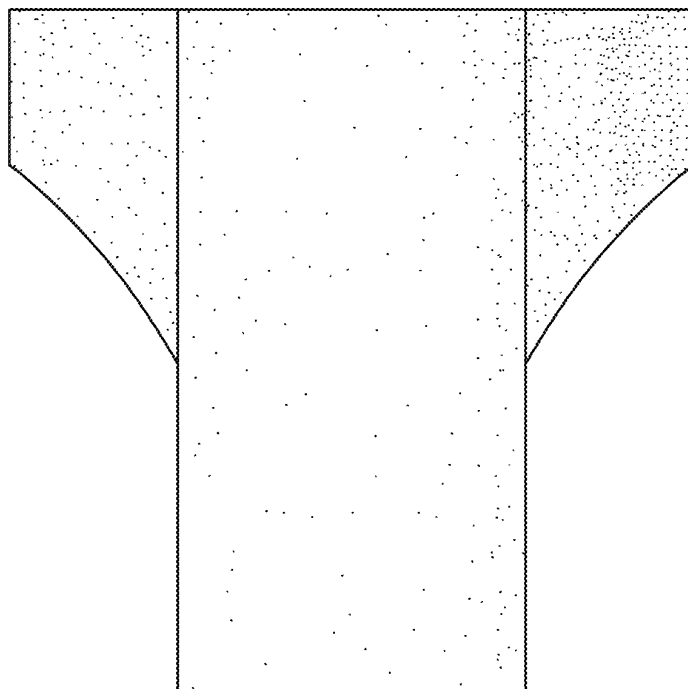


FIG. 3

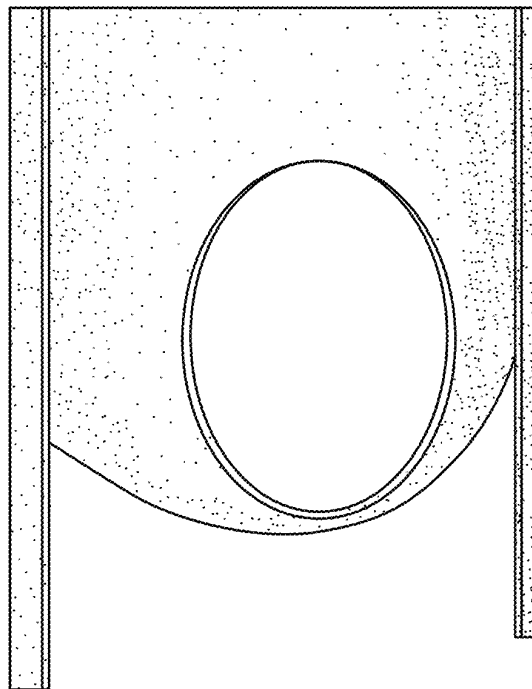


FIG. 4

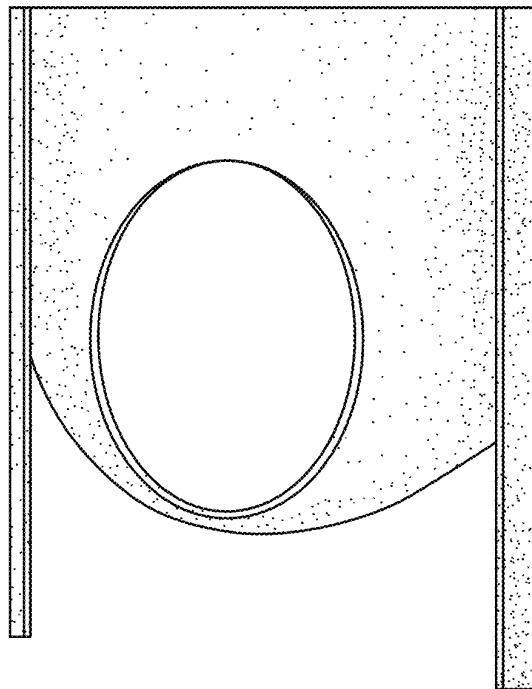


FIG. 5

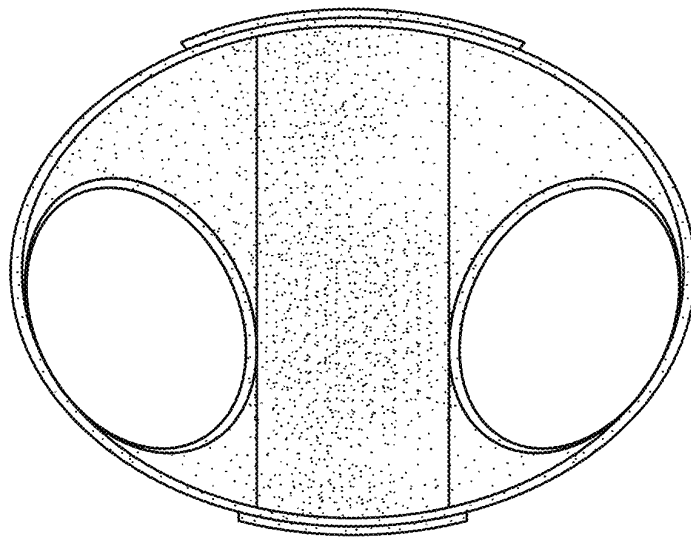


FIG. 6

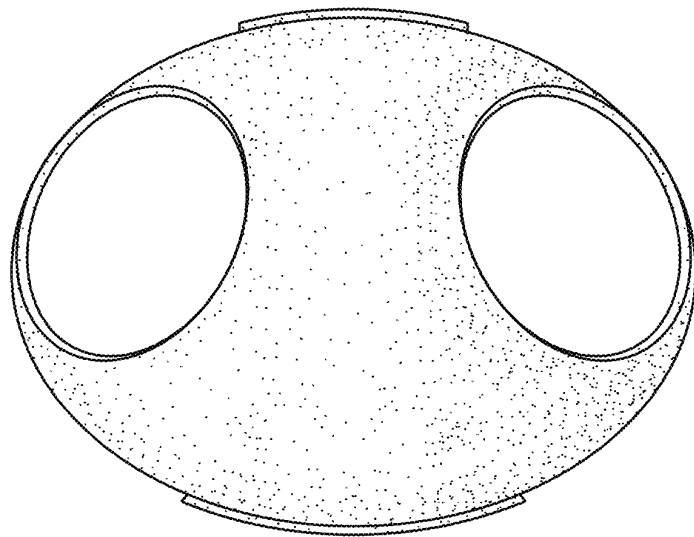


FIG. 7



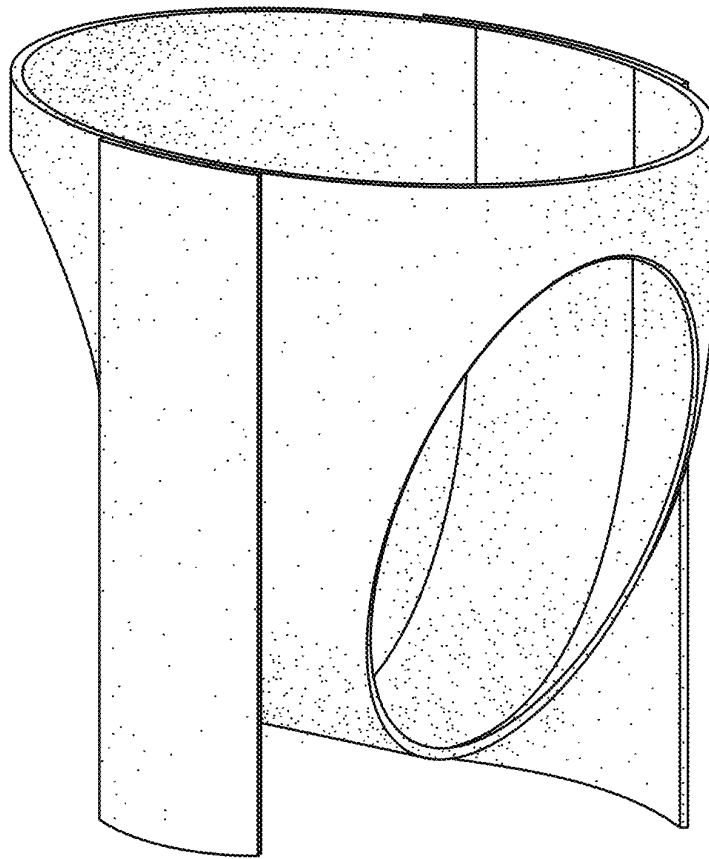


FIG. 8

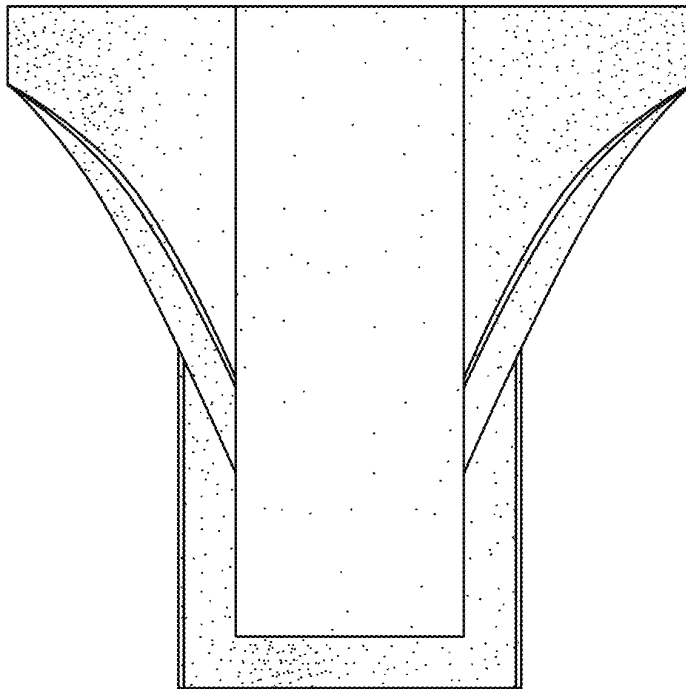


FIG. 9

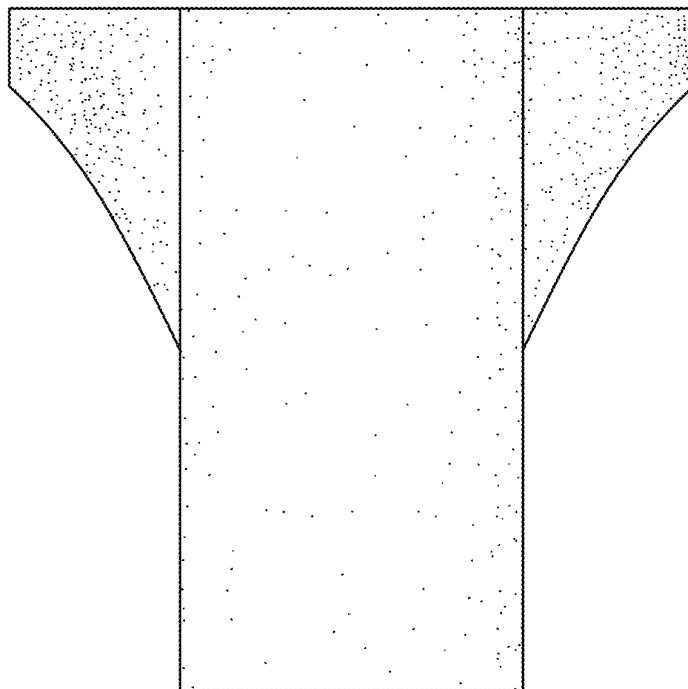


FIG. 10

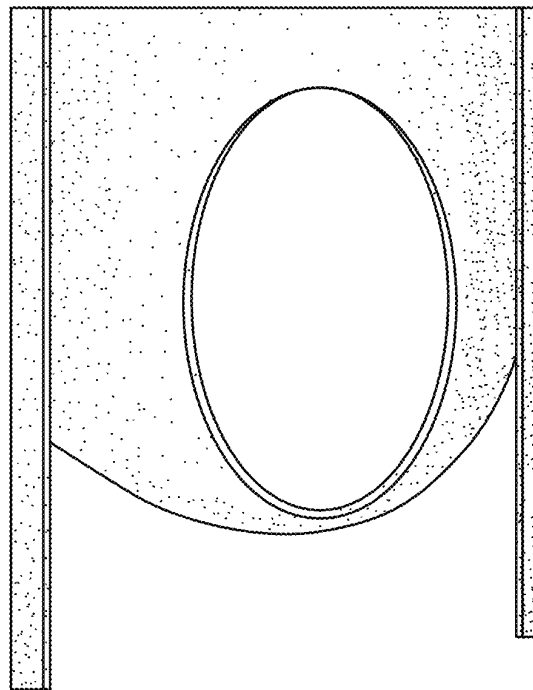


FIG. 11

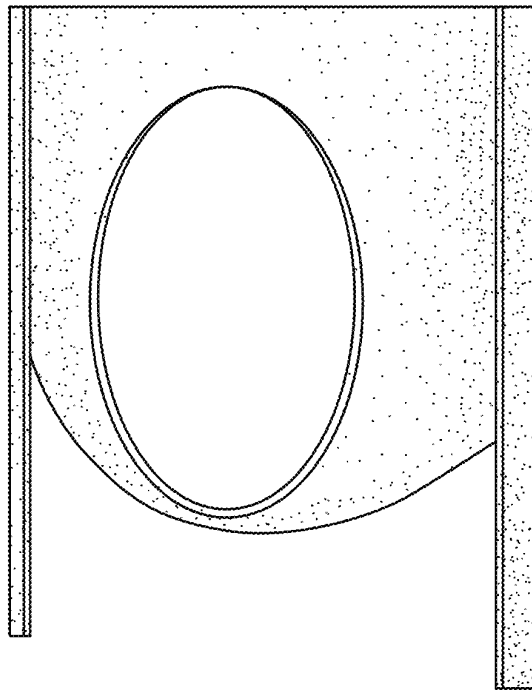


FIG. 12

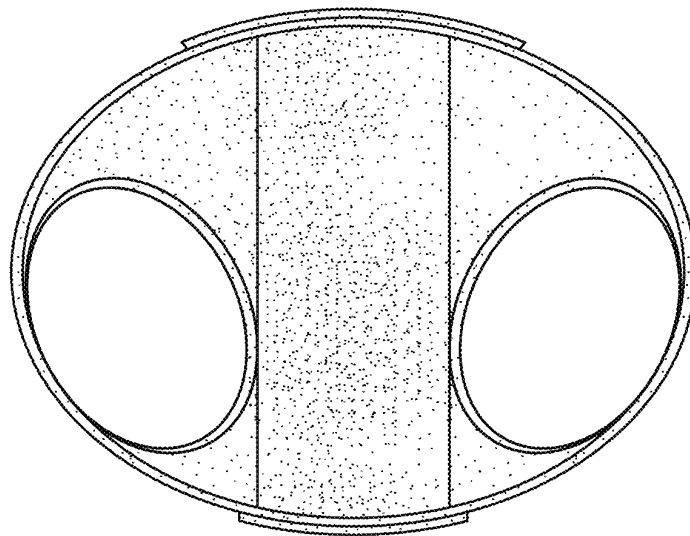


FIG. 13

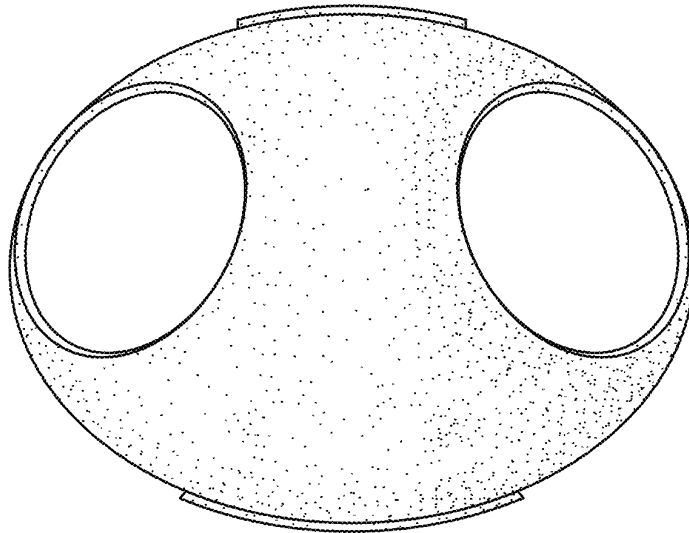


FIG. 14