



US00D767964S

(12) **United States Design Patent**
Dambacher

(10) **Patent No.:** **US D767,964 S**
(45) **Date of Patent:** **** Oct. 4, 2016**

- (54) **SLOT CLAMP ASSEMBLY**
- (71) Applicant: **Kurt Dambacher**, Sonora, CA (US)
- (72) Inventor: **Kurt Dambacher**, Sonora, CA (US)
- (**) Term: **14 Years**
- (21) Appl. No.: **29/511,434**
- (22) Filed: **Dec. 10, 2014**
- (51) **LOC (10) Cl.** **08-05**
- (52) **U.S. Cl.**
USPC **D8/72**
- (58) **Field of Classification Search**
USPC D8/71-74, 394-399, 59; 248/63, 72,
248/74.1, 689, 124.2; 81/487, 385, 386,
81/388-390; 269/3, 4, 6, 143, 165, 240,
269/243, 246-249, 254 R, 147-149; 29/256,
29/257, 276; 408/103, 104-109
CPC B25B 1/00; B25B 5/00
See application file for complete search history.

- (56) **References Cited**
U.S. PATENT DOCUMENTS
D255,647 S * 7/1980 Ismert, III D8/387
D255,772 S * 7/1980 Johnson 411/349
D272,454 S * 1/1984 Boudreaux D21/471
D320,915 S * 10/1991 Sanguino D8/14

- D335,077 S * 4/1993 Haney D8/387
- 5,277,089 A * 1/1994 McGushion B25B 7/02
29/268
- D358,910 S * 5/1995 Frasier 411/84
- D464,255 S * 10/2002 Hundley D8/387
- D510,259 S * 10/2005 Yoshimoto D8/397
- D524,149 S * 7/2006 Kim D8/397
- D549,567 S * 8/2007 Hamu D8/397
- D577,977 S * 10/2008 Hernandez D8/387
- D746,129 S * 12/2015 Kishida D8/399

* cited by examiner

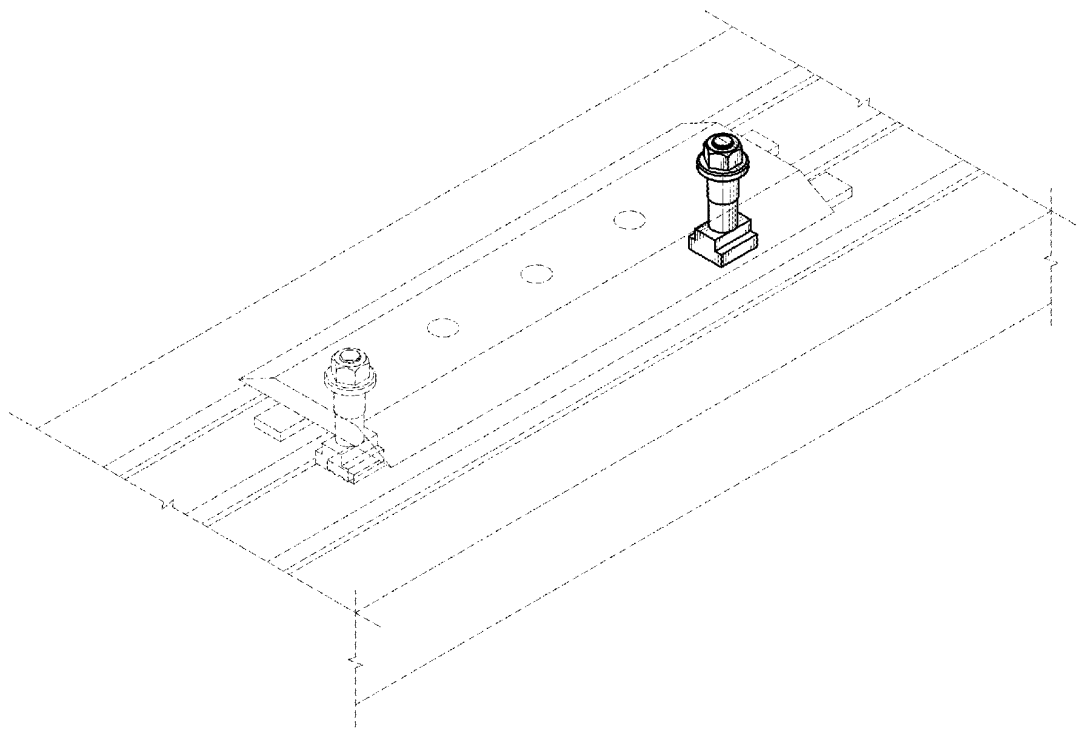
Primary Examiner — David Muller
(74) *Attorney, Agent, or Firm* — Craig A. Simmermon

(57) **CLAIM**
The ornamental design for a slot clamp assembly, as shown and described.

DESCRIPTION

FIG. 1 is a top perspective view of two slot clamp assemblies in use, clamping a work piece down onto a slotted table. FIG. 2 is a top perspective view of a slot clamp assembly, showing my new design. FIG. 3 is a side elevation view view of FIG. 2. FIG. 4 is a front elevation view of FIG. 2. FIG. 5 is a top plan view of FIG. 2; and, FIG. 6 is a bottom plan view of FIG. 2. The features shown in broken lines depict environmental structure only and form no part of the claimed design.

1 Claim, 2 Drawing Sheets



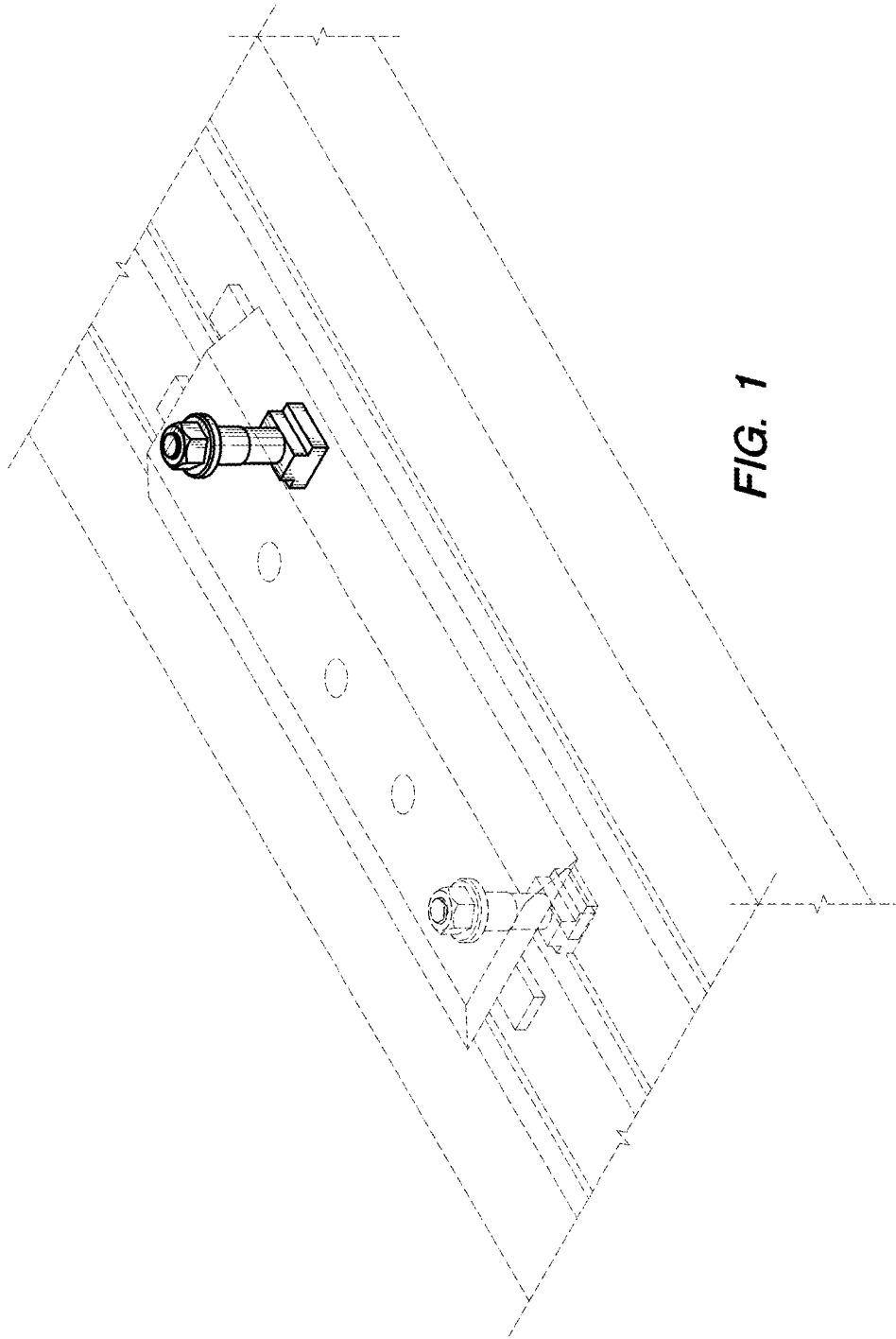


FIG. 1

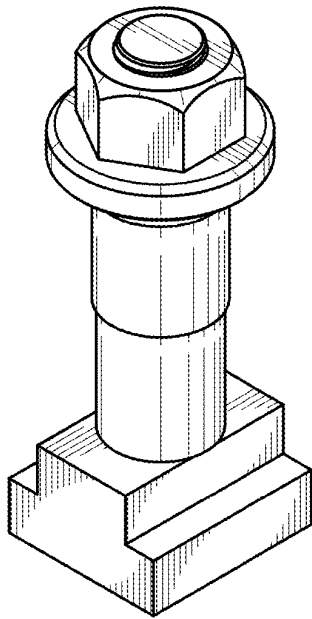


FIG. 2

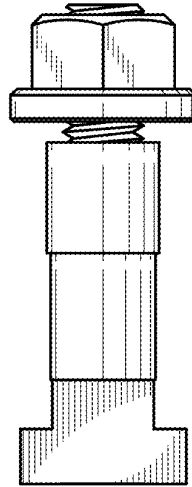


FIG. 3

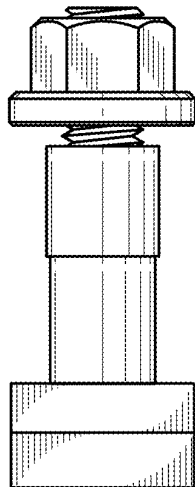


FIG. 4

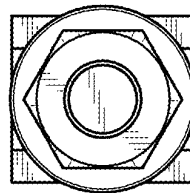


FIG. 5

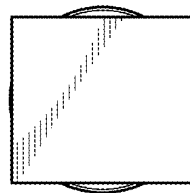


FIG. 6