



US00D747423S

(12) **United States Design Patent**
Gustafson

(10) **Patent No.:** **US D747,423 S**
(45) **Date of Patent:** **** Jan. 12, 2016**

- (54) **EXERCISE BALL WITH TWO STEPS**
- (71) Applicant: **Mark Gustafson**, Folsom, CA (US)
- (72) Inventor: **Mark Gustafson**, Folsom, CA (US)
- (**) Term: **15 Years**
- (21) Appl. No.: **29/527,796**
- (22) Filed: **May 21, 2015**

Related U.S. Application Data

- (63) Continuation of application No. 29/491,441, filed on May 21, 2014, now Pat. No. Des. 733,814.
- (51) **LOC (10) Cl.** **21-02**
- (52) **U.S. Cl.**
USPC **D21/662**
- (58) **Field of Classification Search**
USPC 482/142, 112, 93, 140, 91, 148, 146, 482/52, 147, 121, 139, 14, 34, 79, 145, 44, 482/77, 49, 7, 3, 47; D21/662, 713, 680; D30/117; 691/23; 473/596, 614, 422, 473/595; 297/311, 354.1, 411.3, 452.1, 297/452.41, 271.5, 258.1, 270.1, 270.5, 297/344.1, 451.13, 452.17; 248/599; 601/129, 131, 40; 73/379.01, 379.08, 73/79.09; 340/323 R, 384.71; D6/661.3; 273/342; 267/137, 153; 173/162.2; 30/383; 200/18, 6 A; D11/26; D3/215
CPC A63B 23/0211; A63B 2225/62; A63B 41/00; A63B 21/0442; C08F 10/00
See application file for complete search history.

(56) **References Cited**

U.S. PATENT DOCUMENTS

3,785,642 A *	1/1974	Sterlicchi	482/51
D241,869 S *	10/1976	Hilprecht	D21/713
D363,752 S *	10/1995	Shumber et al.	D21/678
5,566,948 A *	10/1996	Kidd	273/342
D568,950 S *	5/2008	Yewer, Jr.	D21/662
D634,792 S *	3/2011	Goodman-Pollack	D21/453
D651,671 S *	1/2012	Ross et al.	D21/680
D659,204 S *	5/2012	Cotter	D21/680
D670,040 S *	10/2012	Aboujaoude	D30/117
2012/0184414 A1 *	7/2012	Osborn	482/93

* cited by examiner

Primary Examiner — Robert M Spear
Assistant Examiner — Ryan Harvey
 (74) *Attorney, Agent, or Firm* — Craig A. Simmermon

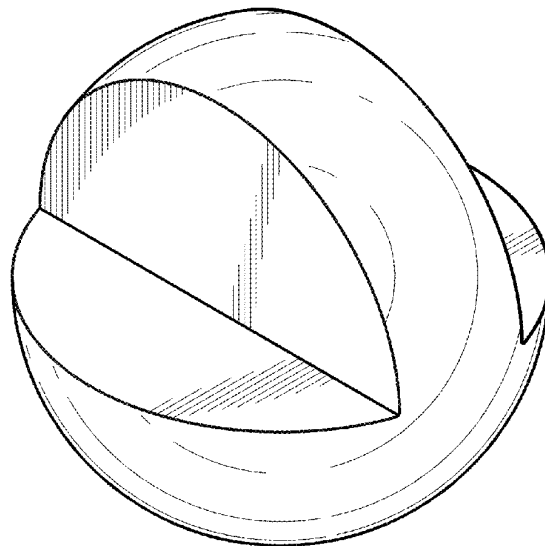
(57) **CLAIM**

The ornamental design for exercise ball with two steps, as shown and described.

DESCRIPTION

FIG. 1 is a perspective view of exercise ball with two steps showing my new design.
 FIG. 2 is a front elevation view thereof.
 FIG. 3 is a side elevation view thereof.
 FIG. 4 is a top plan view thereof; and,
 FIG. 5 is a bottom plan view thereof.

1 Claim, 2 Drawing Sheets



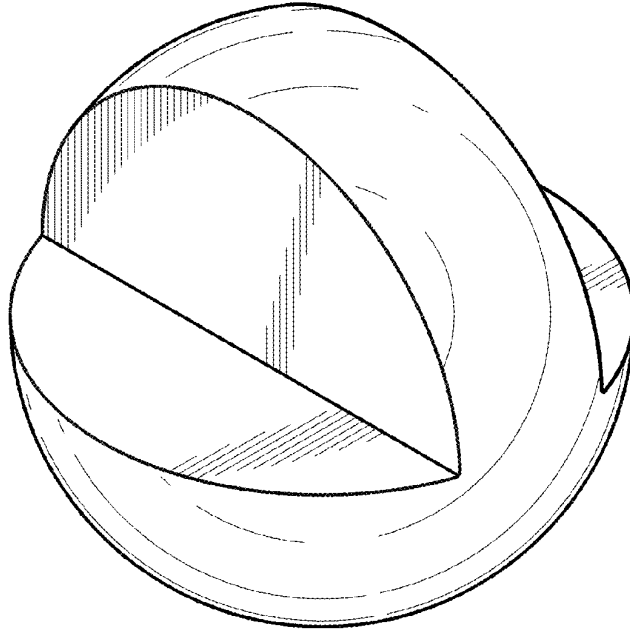


FIG. 1

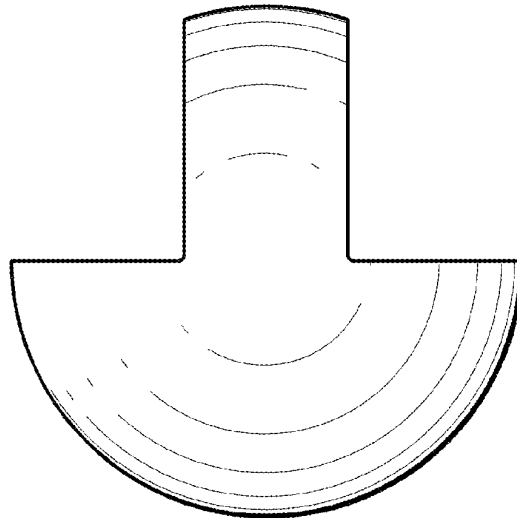


FIG. 2

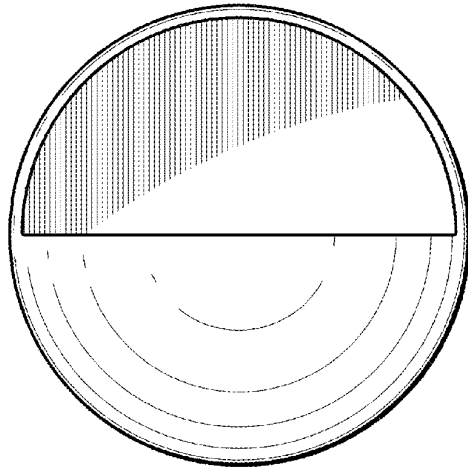


FIG. 3

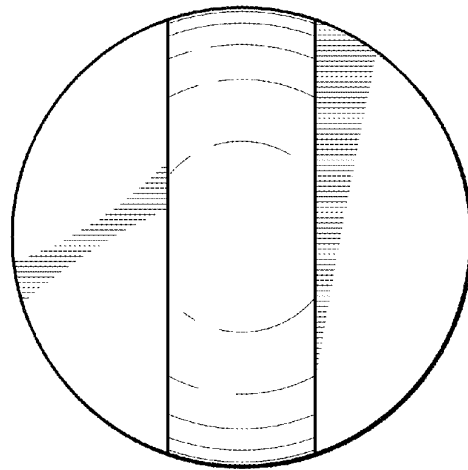


FIG. 4

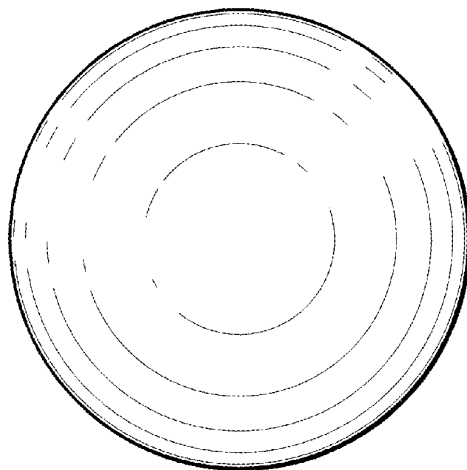


FIG. 5