



US00D733815S

(12) **United States Design Patent**
Gustafson

(10) **Patent No.:** **US D733,815 S**
(45) **Date of Patent:** **** Jul. 7, 2015**

- (54) **EXERCISE HANDLE WITH TWO-AXIS ROTATION CAPABILITY**
- (71) Applicant: **Mark Gustafson**, Folsom, CA (US)
- (72) Inventor: **Mark Gustafson**, Folsom, CA (US)
- (**) Term: **14 Years**
- (21) Appl. No.: **29/491,437**
- (22) Filed: **May 21, 2014**
- (51) **LOC (10) CL.** **21-02**
- (52) **U.S. CL.**
USPC **D21/694**
- (58) **Field of Classification Search**
USPC D21/688, 662, 686, 679, 691, 682, 694,
D21/753, 400, 723, 775, 726, 672, 684,
D21/681; D24/211, 212, 214; 601/120;
36/134; 29/428; 12/142 P; 482/50, 106,
482/139, 46, 107, 129, 121, 102, 45, 92, 93,
482/44, 108, 110, 111, 94, 105, 109, 49,
482/141; 604/1; 446/170; 135/77; D7/682,
D7/669; D8/376, 378, 77; D3/7; D10/81;
D25/126; 473/256
CPC Y10T 29/49826; A63B 21/0552;
A63B 21/0442; A63B 21/0557; A63B
21/1469; A63B 21/00065; A63B 21/00069;
A63B 23/12
See application file for complete search history.

| | | | | |
|--------------|------|---------|---------------|---------|
| 5,080,349 | A * | 1/1992 | Vittone | 482/106 |
| D328,112 | S * | 7/1992 | Maddix et al. | D21/694 |
| 5,281,192 | A * | 1/1994 | Nelson | 482/93 |
| 5,334,113 | A * | 8/1994 | Roepke | 482/106 |
| 5,407,405 | A * | 4/1995 | Oren | 482/50 |
| 5,709,637 | A * | 1/1998 | Gow et al. | 482/129 |
| 5,730,689 | A * | 3/1998 | Haugen | 482/139 |
| 6,039,679 | A * | 3/2000 | Yu | 482/110 |
| D438,265 | S * | 2/2001 | Fenelon | D21/682 |
| D445,851 | S * | 7/2001 | Larkins, Jr. | D21/662 |
| D480,438 | S * | 10/2003 | Walkow | D21/681 |
| 6,652,420 | B2 * | 11/2003 | Chen | 482/45 |
| 7,238,147 | B2 * | 7/2007 | Mills et al. | 482/106 |
| 8,974,351 | B2 * | 3/2015 | Wallisch | 482/45 |
| 2004/0082448 | A1 * | 4/2004 | Martin | 482/139 |
| 2006/0073951 | A1 * | 4/2006 | Walkow | 482/109 |
| 2008/0051270 | A1 * | 2/2008 | Lazar | 482/105 |
| 2013/0035218 | A1 * | 2/2013 | Wierszewski | 482/106 |
| 2014/0206509 | A1 * | 7/2014 | Hodes et al. | 482/106 |

* cited by examiner

Primary Examiner — Robert M Spear
Assistant Examiner — Ryan Harvey
 (74) *Attorney, Agent, or Firm* — Craig A. Simmermon

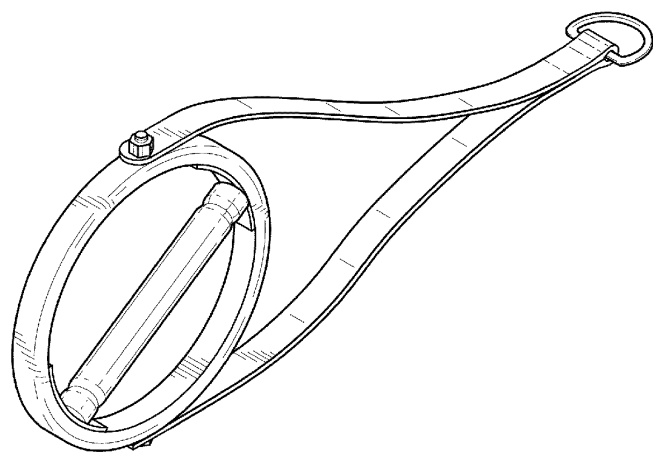
(57) **CLAIM**
 The ornamental design for an exercise handle with two-axis rotation capability, as shown and described.

DESCRIPTION

FIG. 1 is a perspective view of an exercise handle with two-axis rotation capability showing my new design;
 FIG. 2 is a side elevation view thereof with broken line arrows depicting the counterclockwise rotational capability of the grip inside the ring;
 FIG. 3 is a side elevation view thereof;
 FIG. 4 is a top plan view thereof;
 FIG. 5 is a top plan view thereof;
 FIG. 6 is a top plan view thereof;
 FIG. 7 is a front elevation view thereof; and,
 FIG. 8 is a rear elevation view thereof.

1 Claim, 4 Drawing Sheets

- (56) **References Cited**
U.S. PATENT DOCUMENTS
- | | | | | |
|-----------|-----|---------|----------|---------|
| D274,283 | S * | 6/1984 | Wright | D21/682 |
| 4,629,184 | A * | 12/1986 | Selkee | 482/106 |
| 4,632,391 | A * | 12/1986 | Orak | 482/110 |
| D302,195 | S * | 7/1989 | Orak | D21/682 |
| 4,902,005 | A * | 2/1990 | McNeill | 482/93 |
| 5,024,434 | A * | 6/1991 | Smith | 482/107 |
| D321,230 | S * | 10/1991 | Leonesio | D21/682 |



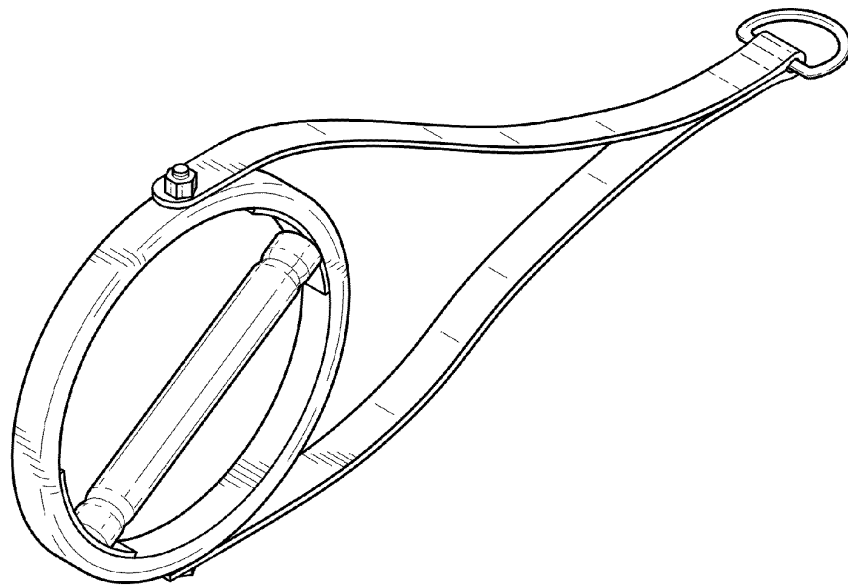


FIG. 1

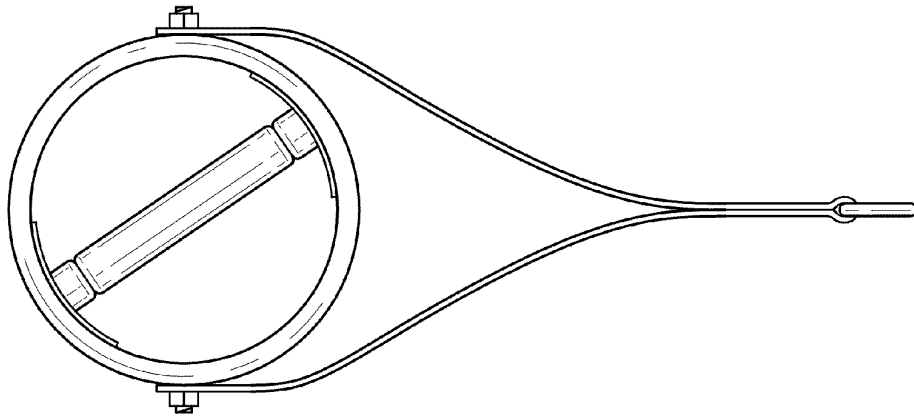


FIG. 2

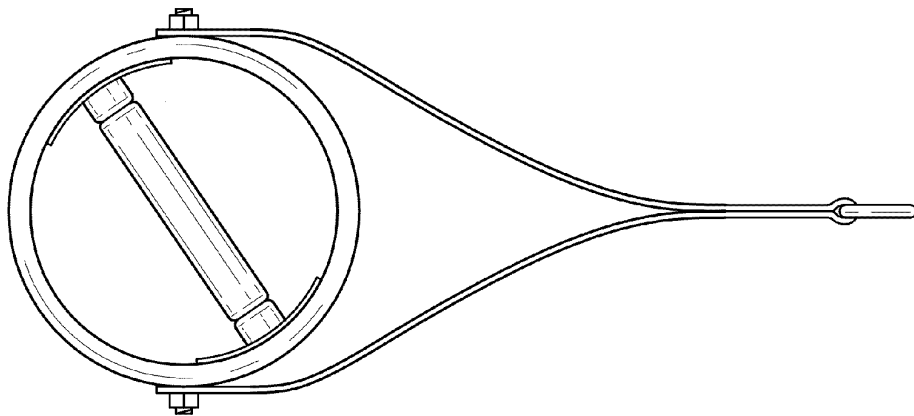


FIG. 3

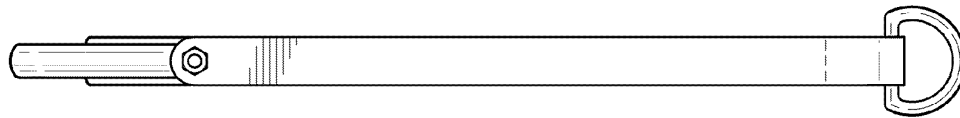


FIG. 4

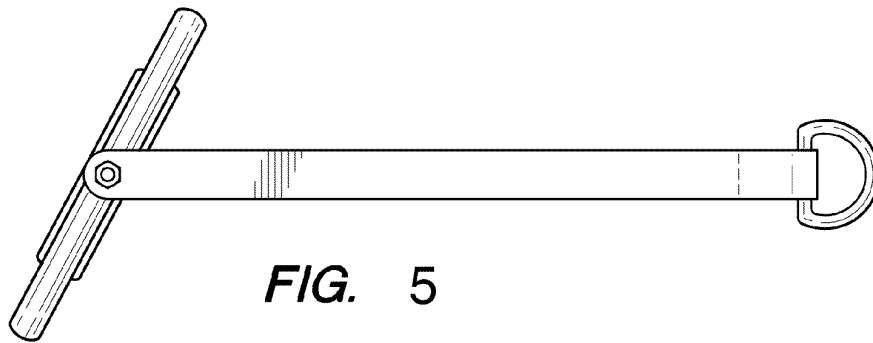


FIG. 5

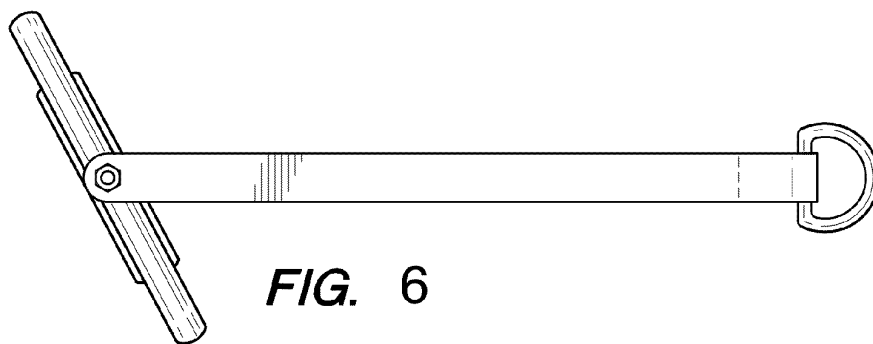


FIG. 6

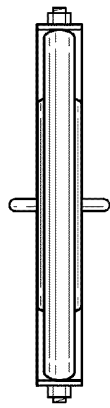


FIG. 7

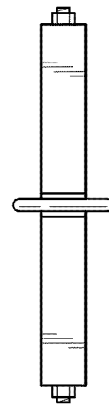


FIG. 8