



US00D636430S

(12) **United States Design Patent**  
**Clark et al.**

(10) **Patent No.:** **US D636,430 S**

(45) **Date of Patent:** **\*\* Apr. 19, 2011**

(54) **DAMPER LEVER FOR GRAND PIANO**

6,632,988 B1 \* 10/2003 Jones et al. .... 84/216  
D499,755 S \* 12/2004 Ohno ..... D17/7  
7,807,907 B2 \* 10/2010 Inoue ..... 84/243

(76) Inventors: **Bruce E. Clark**, Nottingham, NH (US);  
**Kirk Burgett**, Sacramento, CA (US)

\* cited by examiner

(\*\*) Term: **14 Years**

*Primary Examiner* — Celia A Murphy

*Assistant Examiner* — Charles D Hanson

(21) Appl. No.: **29/339,990**

(74) *Attorney, Agent, or Firm* — Craig A. Simmermon

(22) Filed: **Jul. 10, 2009**

(57) **CLAIM**

The ornamental design for a damper lever for grand piano, as shown.

(51) **LOC (9) Cl.** ..... **17-02**

(52) **U.S. Cl.** ..... **D17/9**

(58) **Field of Classification Search** ..... D17/1,  
D17/7, 9, 12, 13, 14, 20, 10, 18, 99; 84/13,  
84/27, 29, 30, 33, 34, 40, 174, 377, DIG. 14,  
84/379, 384, 216; 984/51, 52, 101, 113,  
984/114

**DESCRIPTION**

See application file for complete search history.

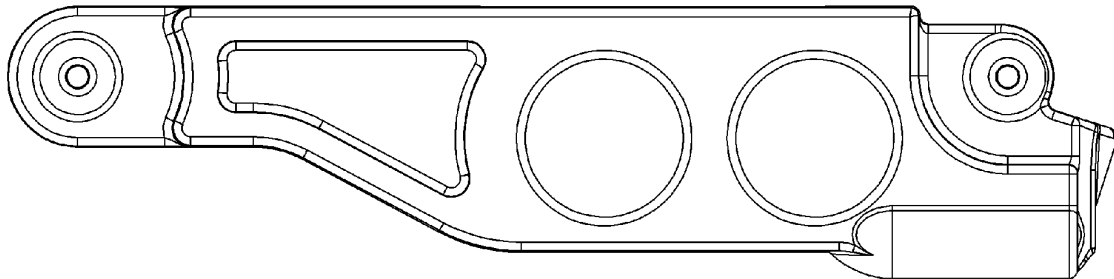
FIG. 1 is a front view of damper lever for grand piano.  
FIG. 2 is a rear view of damper lever for grand piano.  
FIG. 3 is a top side view of damper lever for grand piano.  
FIG. 4 is a bottom view of damper lever for grand piano.  
FIG. 5 is a right side view of damper lever for grand piano.  
FIG. 6 is a left side view damper lever for grand piano.  
FIG. 7 is a front view defining cross sectional planes 8 and 9.  
FIG. 8 is a cross section of damper lever for grand piano.  
FIG. 9 is a cross section of damper lever for grand piano.  
FIG. 10 is a top view defining cross sectional plane 11; and,  
FIG. 11 is a cross section of damper lever for grand piano.

(56) **References Cited**

**U.S. PATENT DOCUMENTS**

3,262,195 A \* 7/1966 Andersen et al. .... 29/411  
D309,347 S \* 7/1990 Brown ..... D23/386  
5,932,820 A \* 8/1999 Kihara ..... 84/216  
6,020,544 A \* 2/2000 Jones et al. .... 84/218  
6,348,645 B1 \* 2/2002 Yamashita ..... 84/217

**1 Claim, 8 Drawing Sheets**



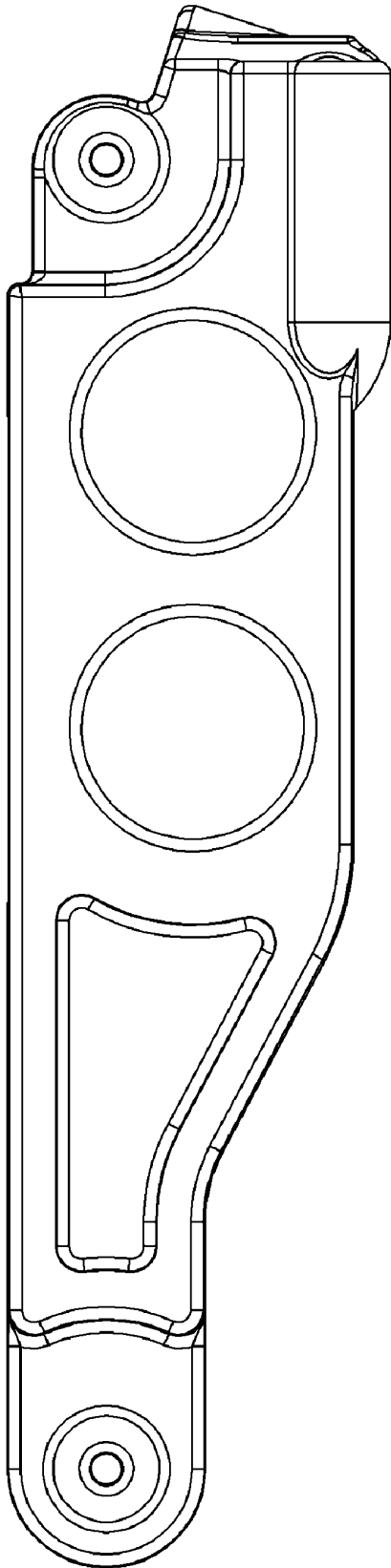


Fig. 1

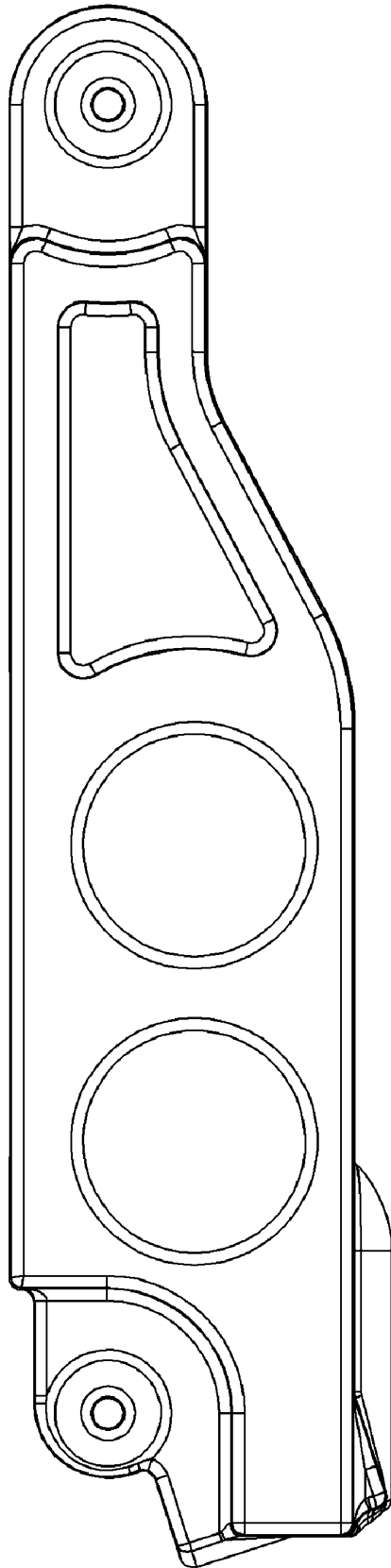


Fig. 2

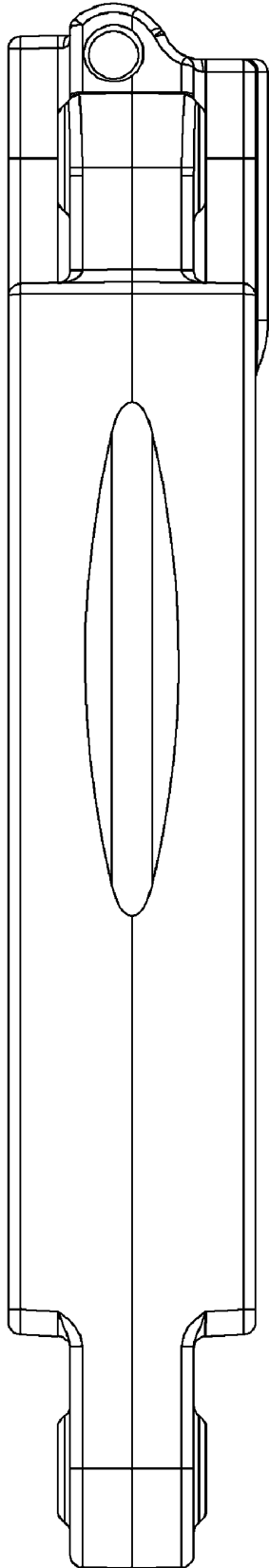


Fig. 3

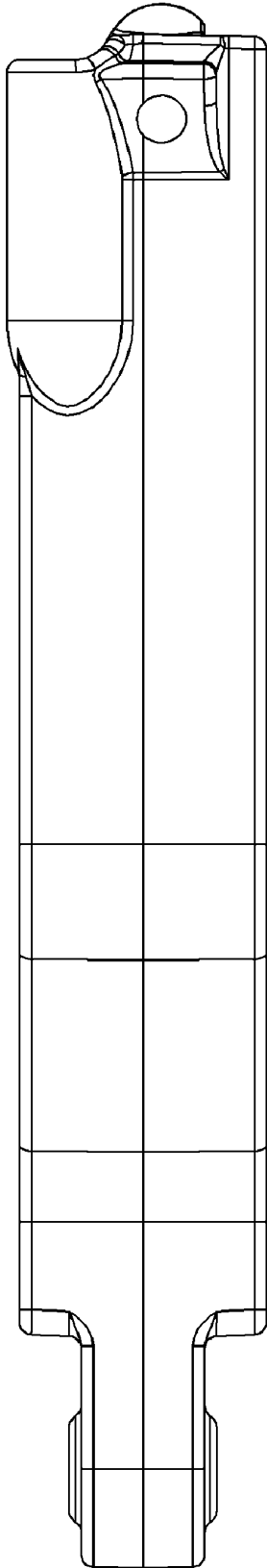


Fig. 4

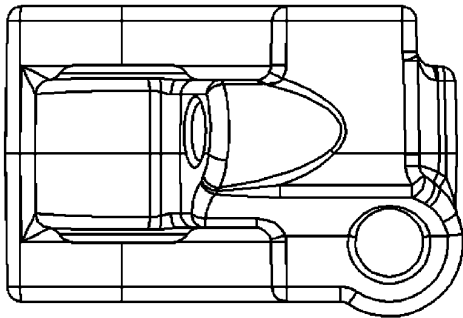


Fig. 5

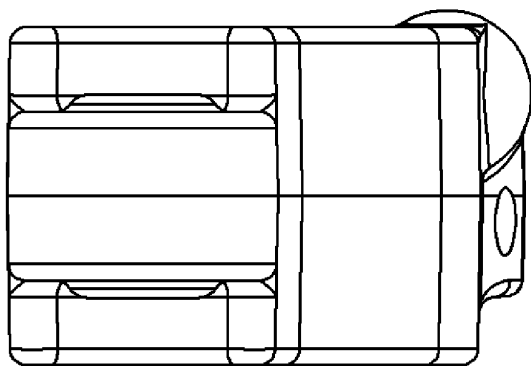


Fig. 6

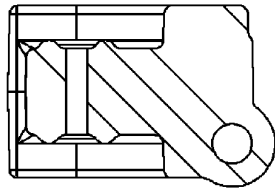


Fig. 9

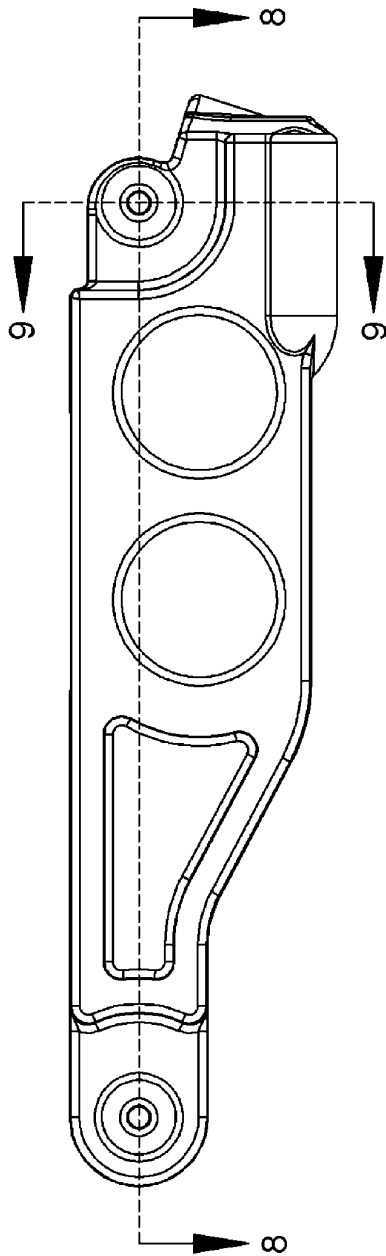


Fig. 7

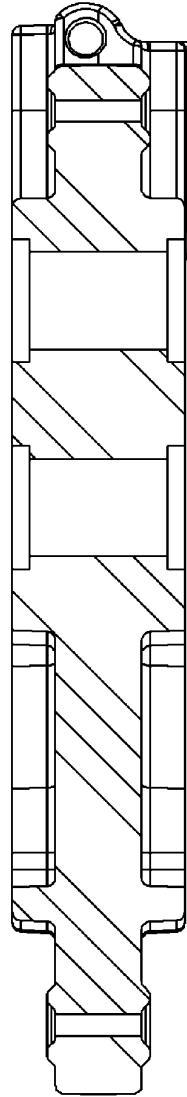


Fig. 8



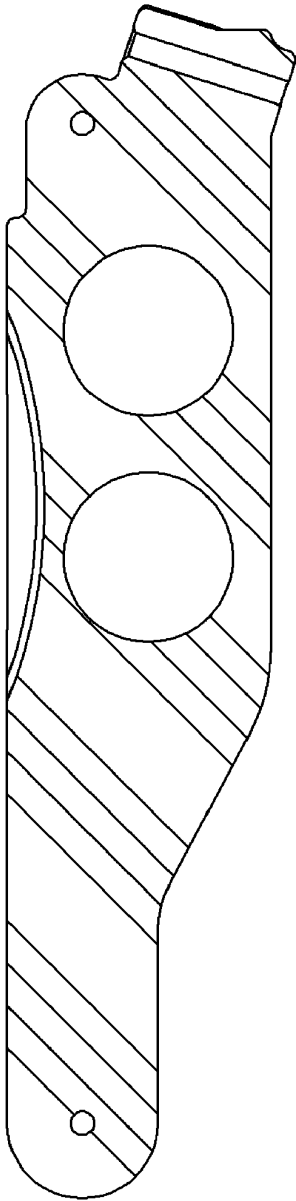


Fig. 11

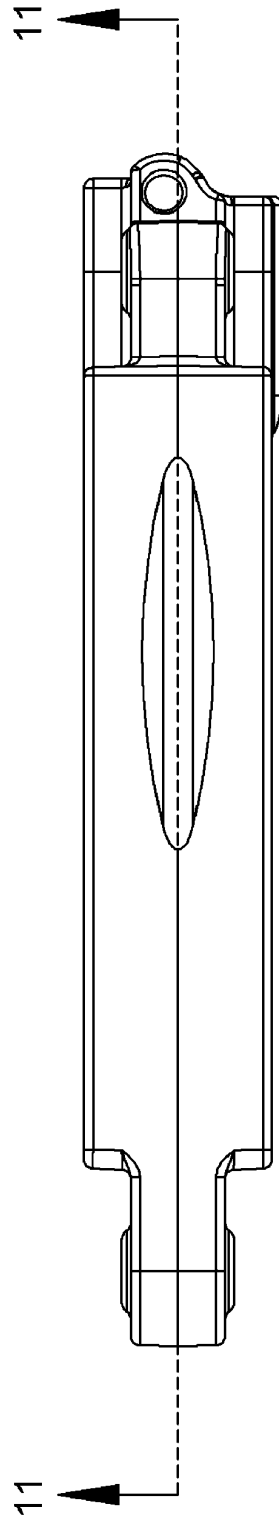


Fig. 10