



US0D1019369S

(12) **United States Design Patent**
Carpenter

(10) **Patent No.:** **US D1,019,369 S**

(45) **Date of Patent:** **** Mar. 26, 2024**

(54) **SHINGLE RETAINING CLIP WITH CLAMP**

(71) Applicant: **Ronald Eugene Carpenter**, Lincoln, CA (US)

(72) Inventor: **Ronald Eugene Carpenter**, Lincoln, CA (US)

(**) Term: **15 Years**

(21) Appl. No.: **29/891,491**

(22) Filed: **May 5, 2023**

(51) **LOC (14) Cl.** **08-08**

(52) **U.S. Cl.** **D8/382**
USPC **D8/382**

(58) **Field of Classification Search**
USPC D8/382, 394, 395, 349, 354, 367
CPC E04D 1/29; E04D 1/2914; E04D 1/34;
E04D 2001/3414; E04D 2001/3491
See application file for complete search history.

(56) **References Cited**

U.S. PATENT DOCUMENTS

D58,219 S *	6/1921	Dalitz	D8/382
1,576,423 A *	3/1926	Fulenwider	E04D 1/34
				52/547
1,626,802 A *	5/1927	Fischer	E04D 5/142
				52/471
D142,540 S *	10/1945	White	D8/371
D293,334 S *	12/1987	Humbert	D18/12
D317,983 S *	7/1991	Gilbreath	D19/86
D343,541 S *	1/1994	Kassraie	D6/580

D397,014 S *	8/1998	Wilson	D8/71
D495,133 S *	8/2004	Hoogenbos	D3/215
D924,976 S *	7/2021	Milbrandt	D20/22
D957,928 S *	7/2022	Locke	D8/394
D992,406 S *	7/2023	Bee	D8/395

* cited by examiner

Primary Examiner — Calvin E Vasant

Assistant Examiner — Benjamin L. Gray

(74) *Attorney, Agent, or Firm* — Craig A. Simmermon

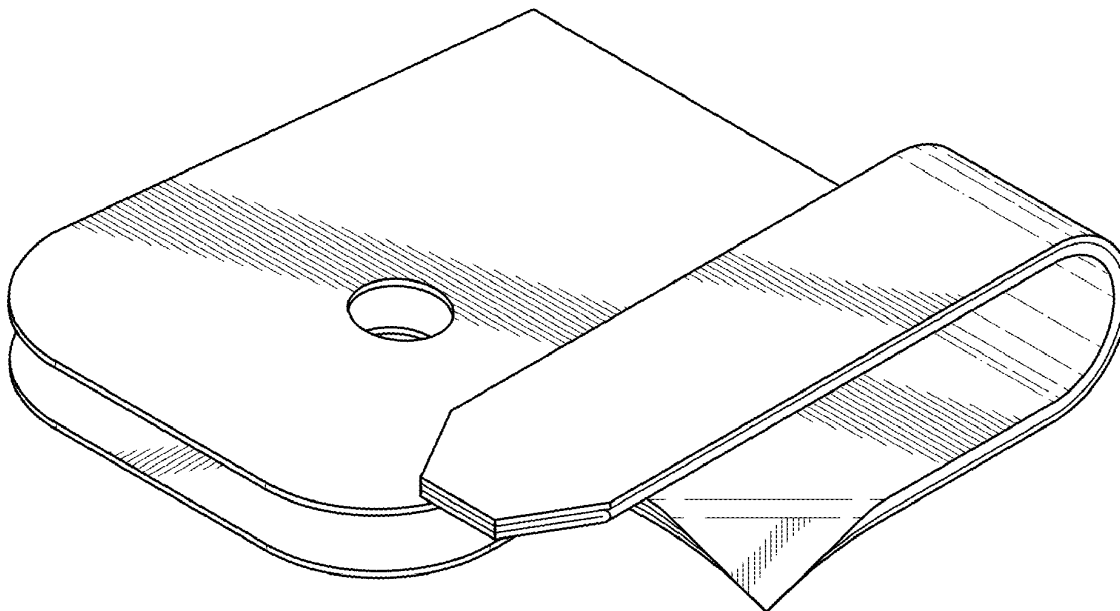
(57) **CLAIM**

I claim the ornamental design for a shingle retaining clip with clamp, as shown and described.

DESCRIPTION

FIG. 1 is a top perspective view of a shingle retaining clip with clamp showing my new design; FIG. 2 is a front elevation view thereof; FIG. 3 is a left side elevation view thereof; FIG. 4 is a rear elevation view thereof; FIG. 5 is a right side elevation view thereof; FIG. 6 is a top plan view thereof; FIG. 7 is a bottom plan view thereof; and, FIG. 8 is an perspective view thereof with environmental subject matter depicting how shingle retaining clip with clamp is used to retain and clamp roof shingles. The broken lines depict unclaimed environmental subject matter that forms no part of the claimed design.

1 Claim, 6 Drawing Sheets



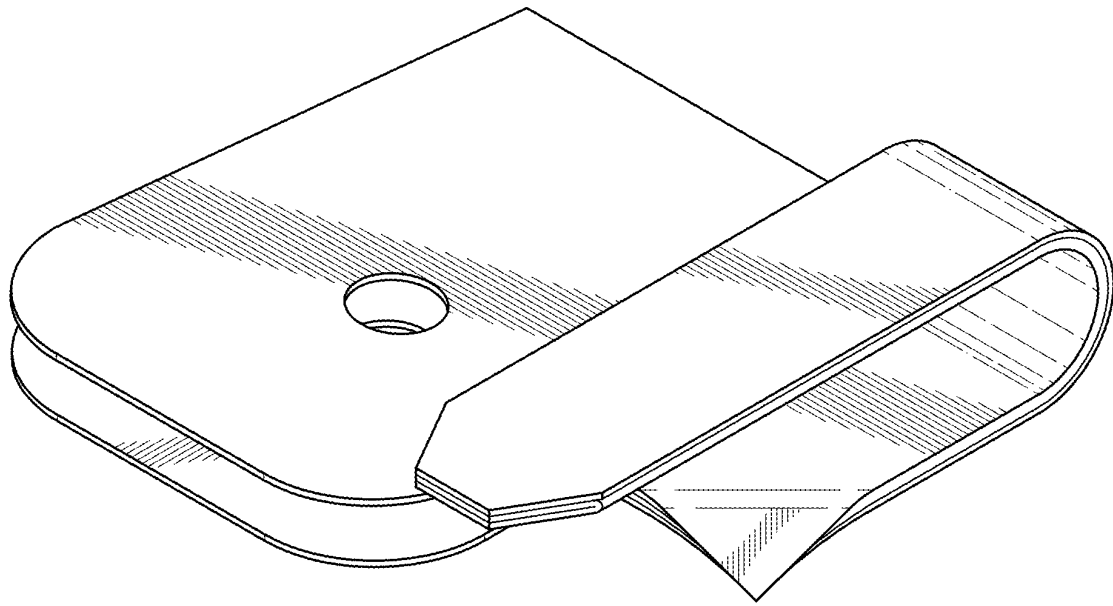


FIG. 1

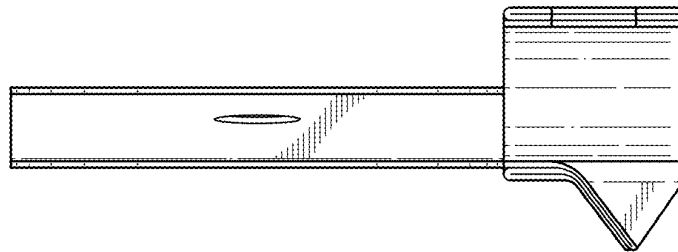


FIG. 2

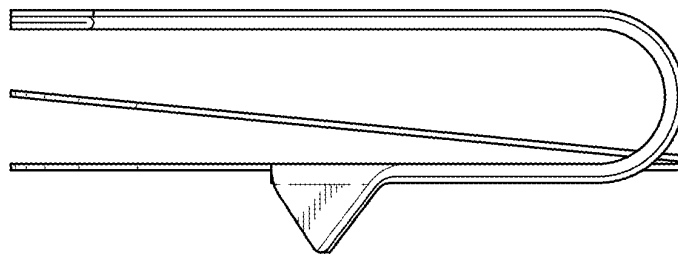


FIG. 3

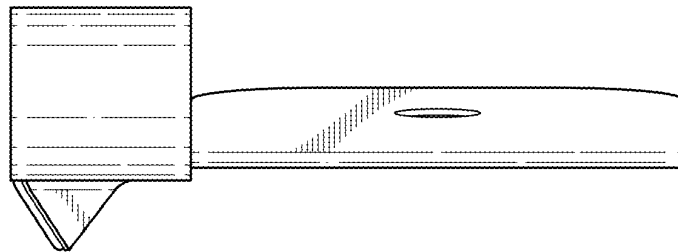


FIG. 4

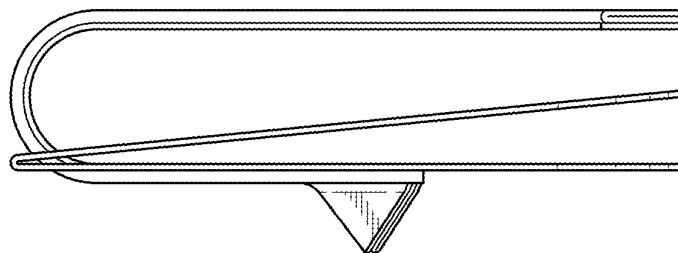


FIG. 5

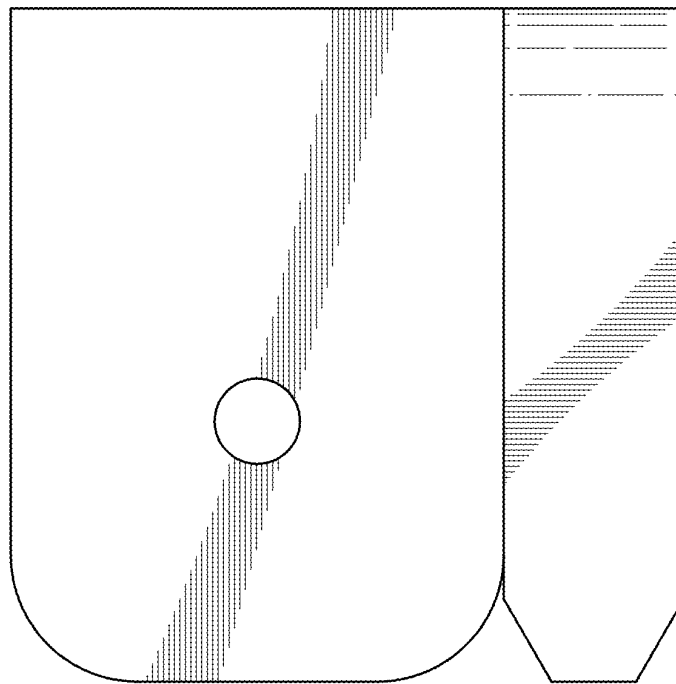


FIG. 6

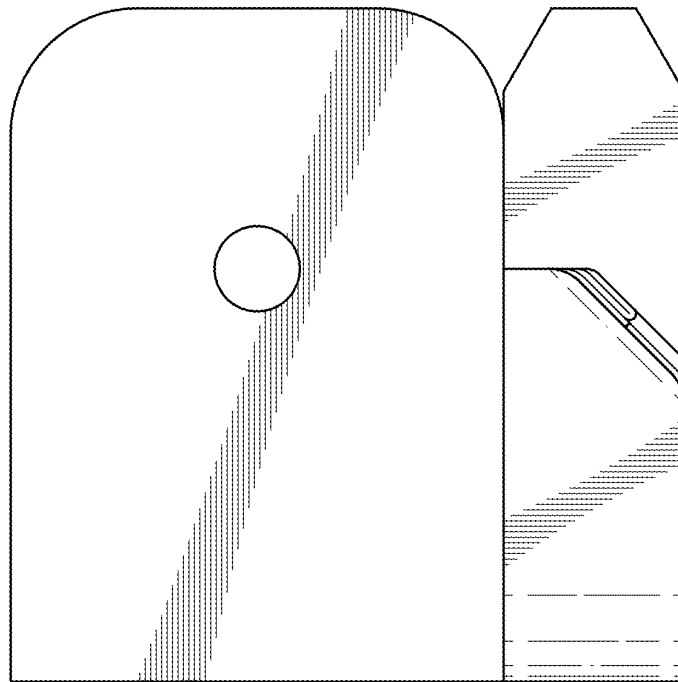


FIG. 7

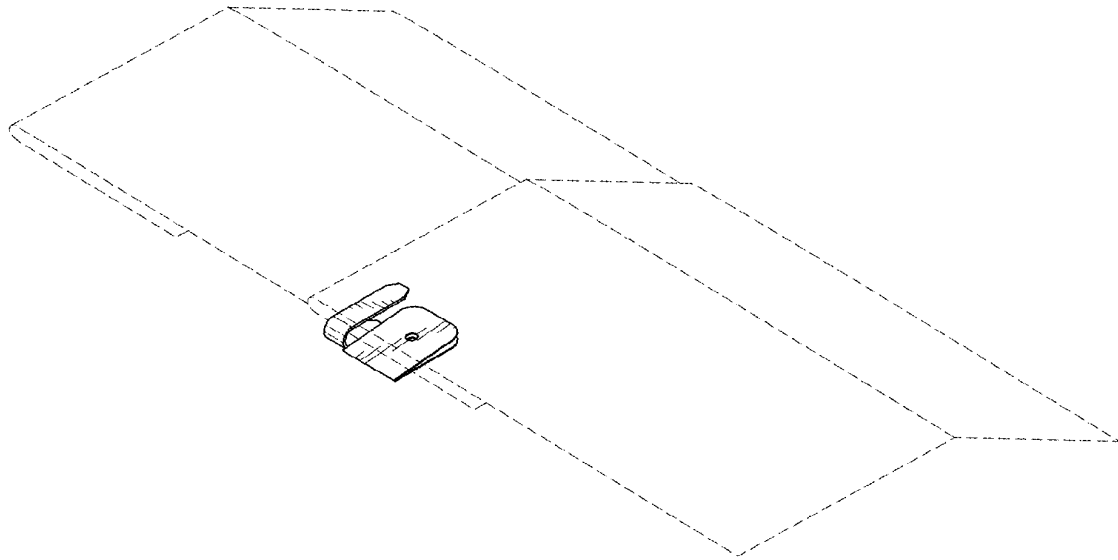


FIG. 8