



USOD1015155S

(12) **United States Design Patent**
Chadbourne

(10) **Patent No.:** **US D1,015,155 S**

(45) **Date of Patent:** **** Feb. 20, 2024**

(54) **WINE BOTTLE THAT TRANSFORMS INTO
A WINE GLASS**

6,209,737 B1 * 4/2001 Bliss B65D 23/065
215/DIG. 7
6,398,050 B1 * 6/2002 Allora A47G 19/2255
215/DIG. 7
6,662,959 B1 * 12/2003 Westerhold B65D 81/36
215/377

(71) Applicant: **Jeff Chadbourne**, Sacramento, CA
(US)

(72) Inventor: **Jeff Chadbourne**, Sacramento, CA
(US)

(Continued)

FOREIGN PATENT DOCUMENTS

(**) Term: **15 Years**

CN 304552349 * 3/2018

(21) Appl. No.: **29/743,966**

Primary Examiner — W. A. Teddy Falloway

(22) Filed: **Jul. 25, 2020**

Assistant Examiner — Amanda Kay Birdwell

(51) **LOC (14) Cl.** **09-07**

(74) *Attorney, Agent, or Firm* — Craig A. Simmermon

(52) **U.S. Cl.**
USPC **D9/503**; D9/549; D9/558; D7/537;
D7/511

(57) **CLAIM**

I claim the ornamental design for a wine bottle that trans-
forms into a wine glass, as shown and described.

(58) **Field of Classification Search**
USPC D7/509, 510, 511, 523, 300, 619.1,
D7/396.2, 392.1, 524, 537; D9/500, 503,
D9/504, 505, 545, 544, 549, 550, 434,
D9/499, 435, 529, 558, 563, 574, 719
CPC B65D 1/00; B65D 1/02; B65D 1/0276
See application file for complete search history.

DESCRIPTION

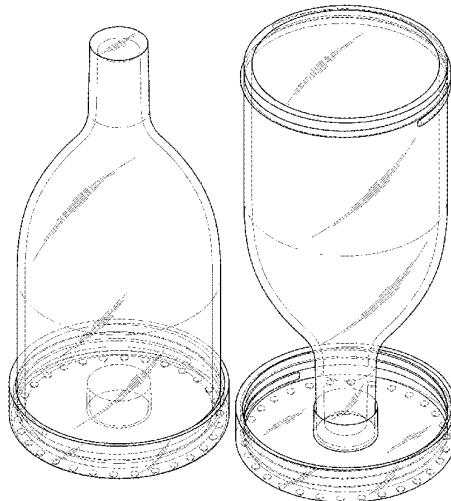
FIG. 1 is a top perspective view of a wine bottle that
transforms into a wine glass, in bottle form, showing my
new design;
FIG. 2 is a front elevation view thereof;
FIG. 3 is a rear elevation view thereof;
FIG. 4 is a right side elevation view thereof;
FIG. 5 is a left side elevation view thereof;
FIG. 6 is a top plan view thereof;
FIG. 7 is a bottom plan view thereof;
FIG. 8 is a top perspective view of a wine bottle that
transforms into a wine glass, in wine glass form, showing
my new design;
FIG. 9 is a front elevation view thereof;
FIG. 10 is a rear elevation view thereof;
FIG. 11 is a right side elevation view thereof;
FIG. 12 is a left side elevation view thereof;
FIG. 13 is a top plan view thereof; and,
FIG. 14 is a bottom plan view thereof.

(56) **References Cited**

U.S. PATENT DOCUMENTS

640,860 A * 1/1900 Baum, Jr. B65D 1/06
215/377
2,069,048 A * 1/1937 Rehberger A45D 27/16
220/288
2,086,404 A * 7/1937 Daniels B65D 1/06
215/377
D221,286 S * 7/1971 Kern, Jr. D7/515
D324,973 S * 3/1992 Slagerman D9/716
5,817,162 A * 10/1998 Penrith C03B 33/0955
65/56
D418,015 S * 12/1999 Santini D7/524
6,155,315 A * 12/2000 Peterson B67C 11/02
141/331
6,164,473 A * 12/2000 Waldrip B65D 11/04
215/400

1 Claim, 12 Drawing Sheets



(56)

References Cited

U.S. PATENT DOCUMENTS

D659,477 S * 5/2012 Sapire D7/537
8,763,849 B2 * 7/2014 Benetti A47G 19/2255
220/604
D801,748 S * 11/2017 Sullivan D7/397
9,821,933 B1 * 11/2017 Sullivan B01F 23/23
D808,217 S * 1/2018 Cates D7/524
D814,862 S * 4/2018 Sullivan D7/397
D856,081 S * 8/2019 Rogers D9/503
D861,431 S * 10/2019 Demopoulos D7/532
2005/0092760 A1 * 5/2005 Westerhold B65D 81/36
220/703
2008/0011748 A1 * 1/2008 Meyer A47G 19/2255
220/23.83
2009/0001043 A1 * 1/2009 Benetti A47G 19/2255
215/377
2012/0168451 A1 * 7/2012 Lee A47G 19/2205
220/711
2012/0228166 A1 * 9/2012 Mitchell B65D 51/249
206/216
2014/0332495 A1 * 11/2014 Choi B65D 1/06
215/378
2017/0021992 A1 * 1/2017 Perrulli B65D 41/04
2018/0244453 A1 * 8/2018 Bannas B65D 77/0486

* cited by examiner

FIG. 1

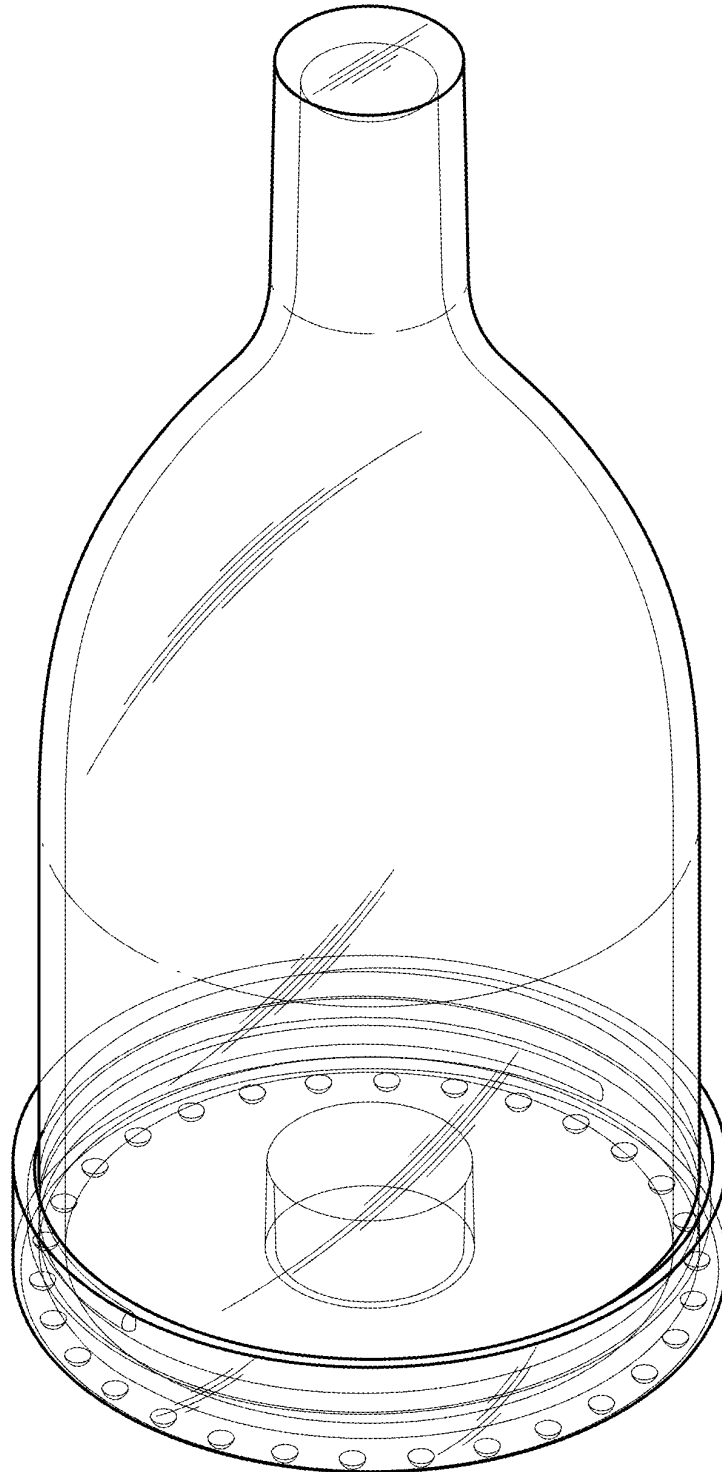


FIG. 2

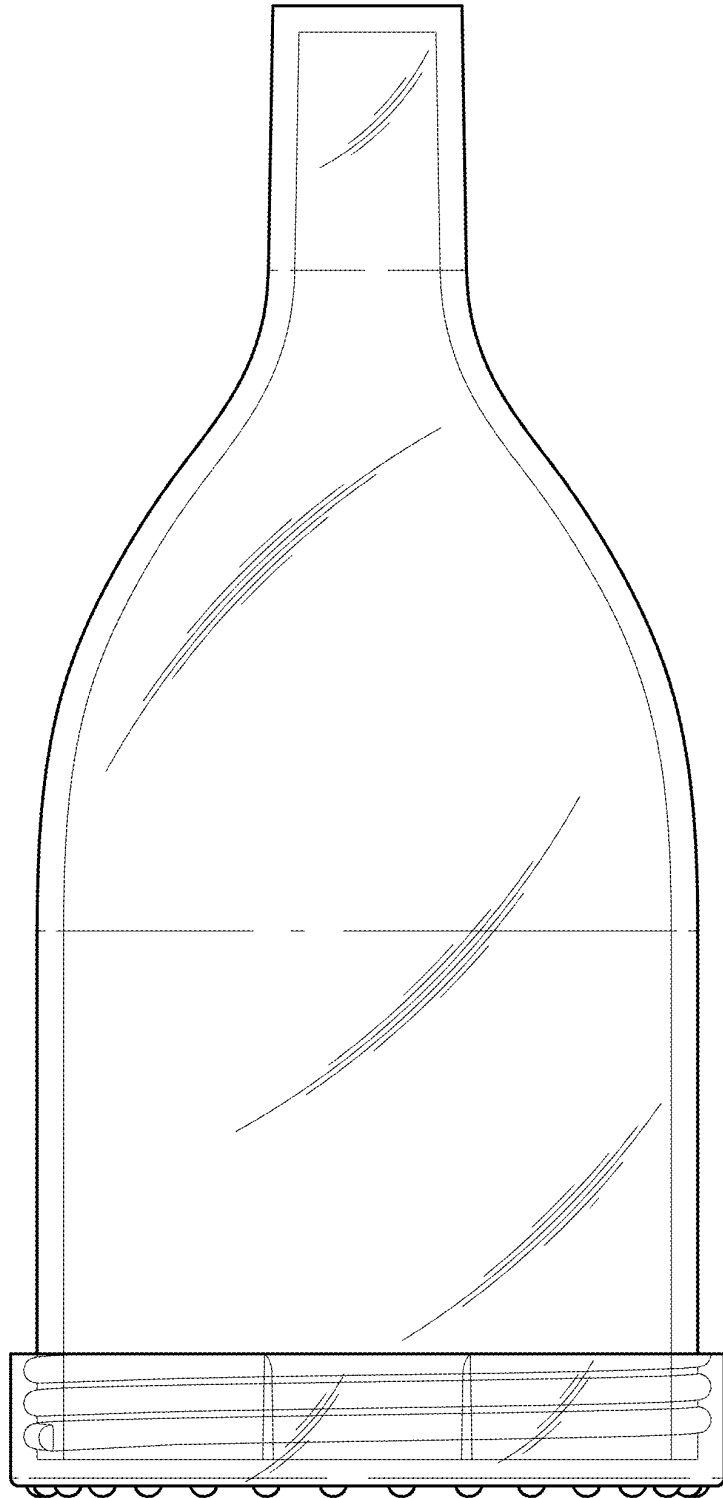


FIG. 3

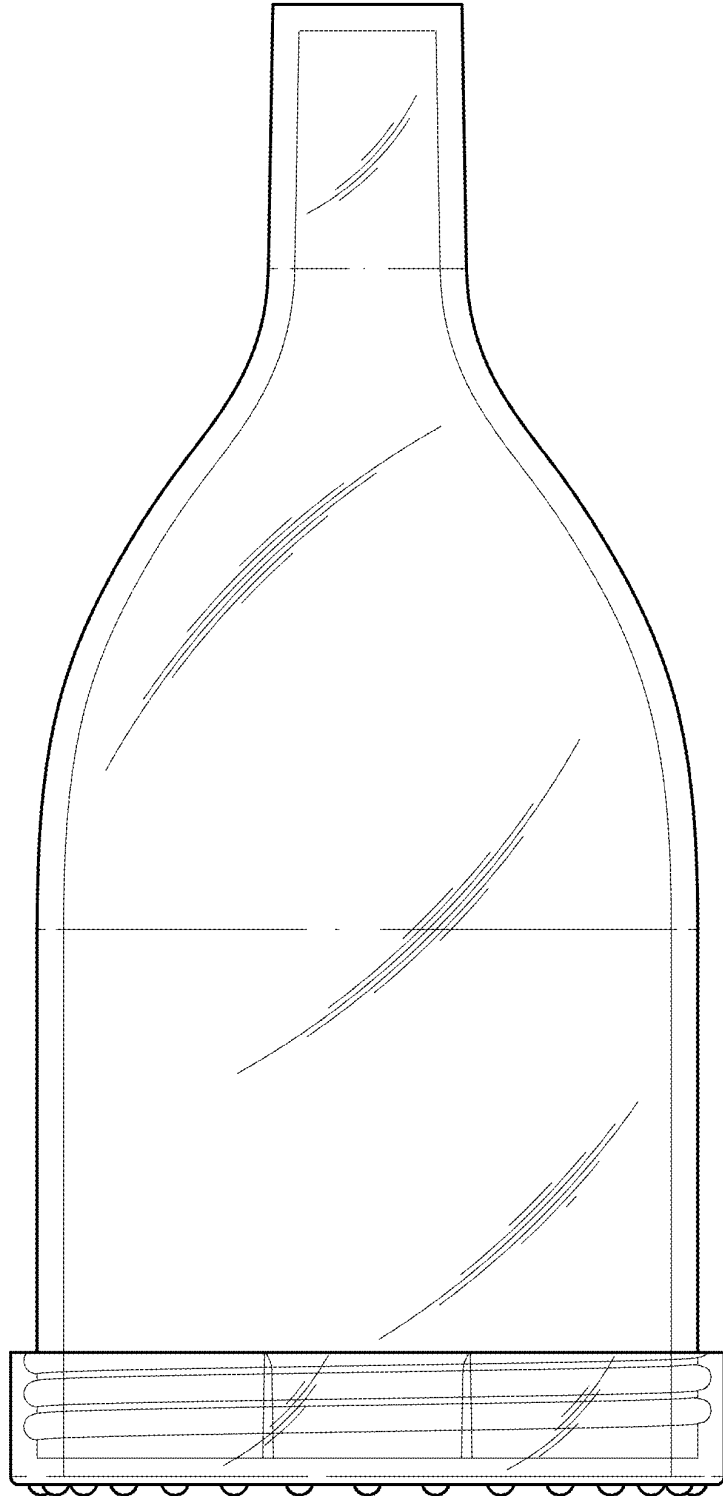


FIG. 4

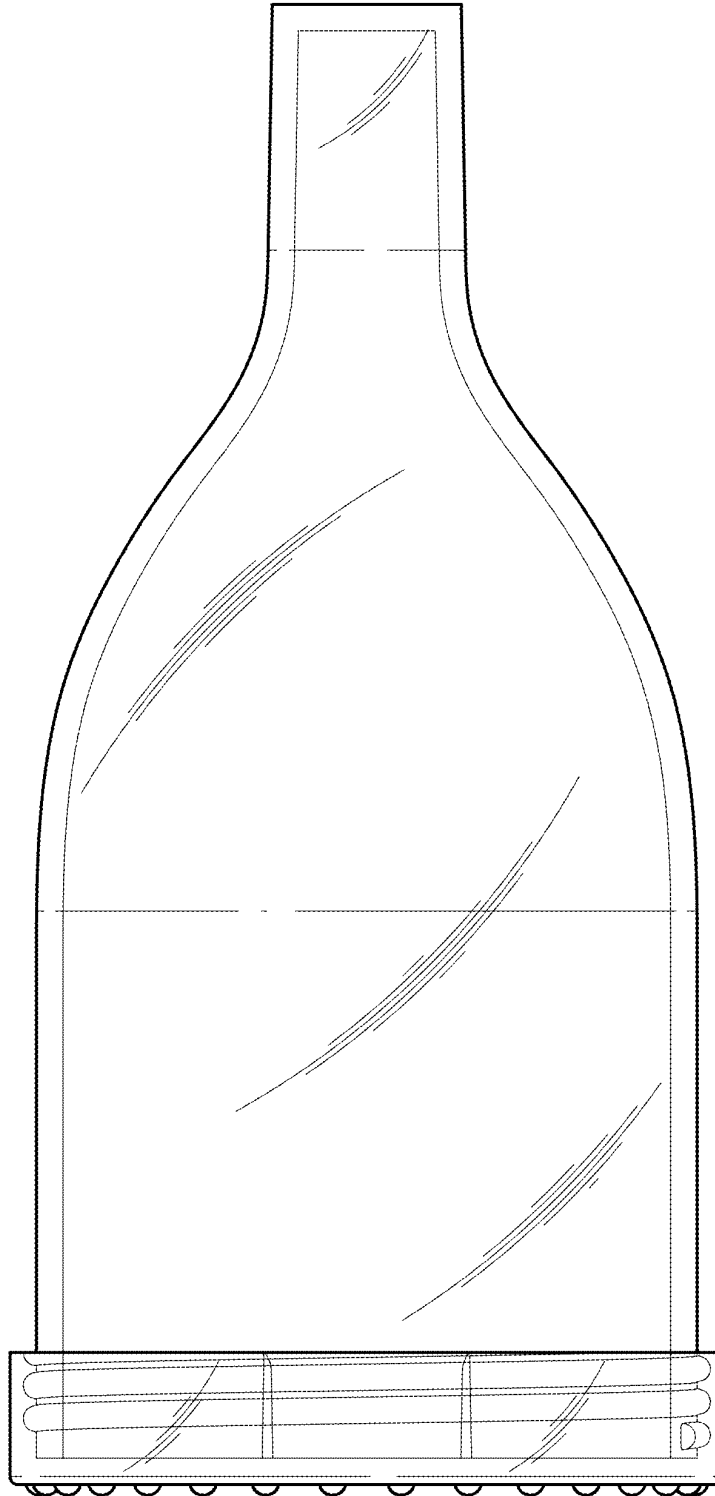


FIG. 5

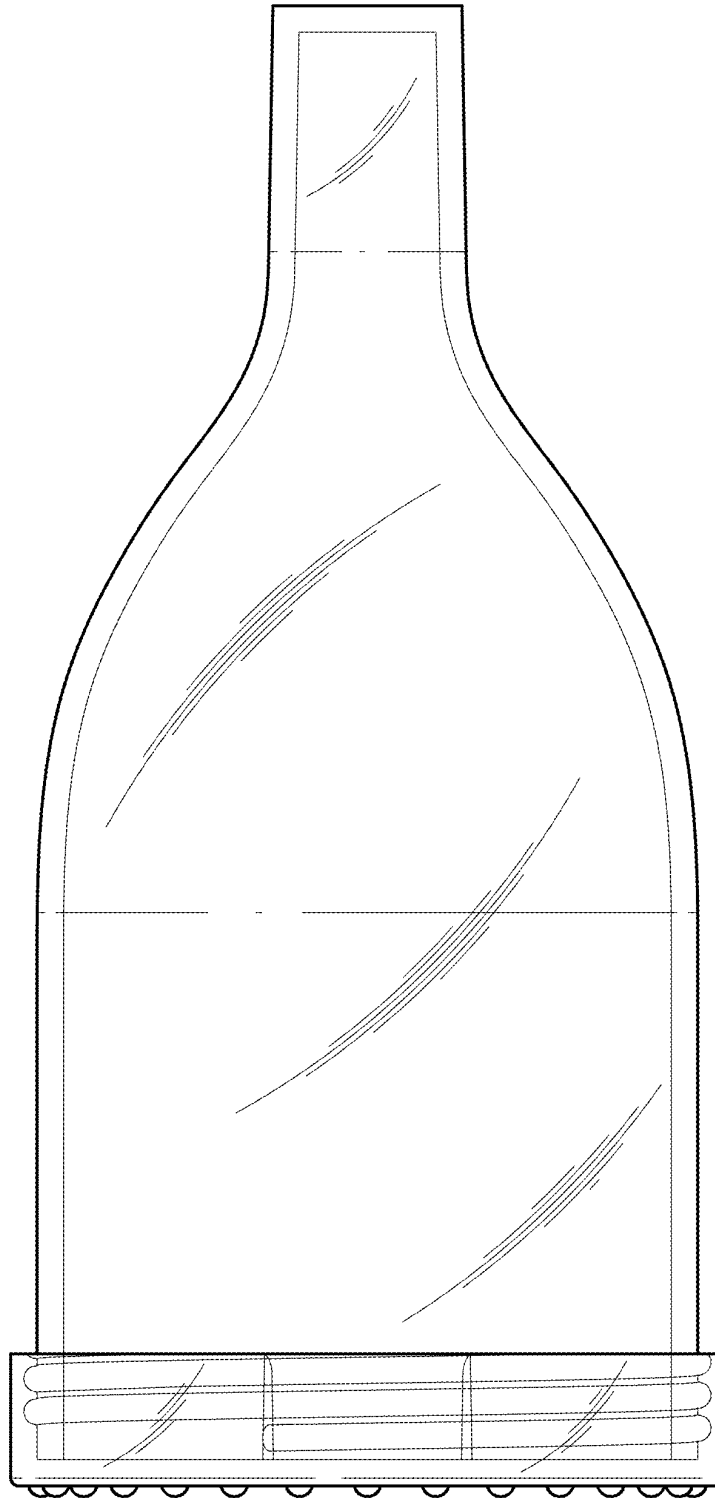


FIG. 6

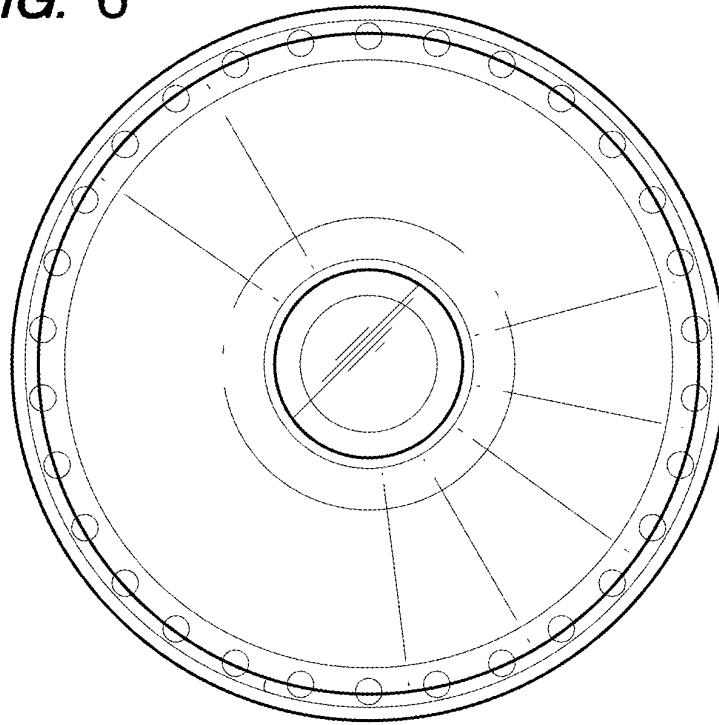


FIG. 7

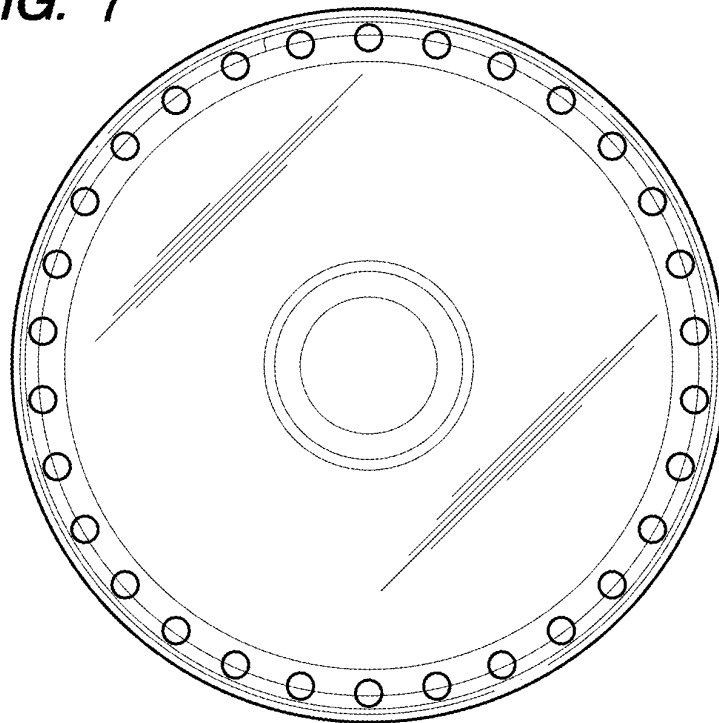


FIG. 8

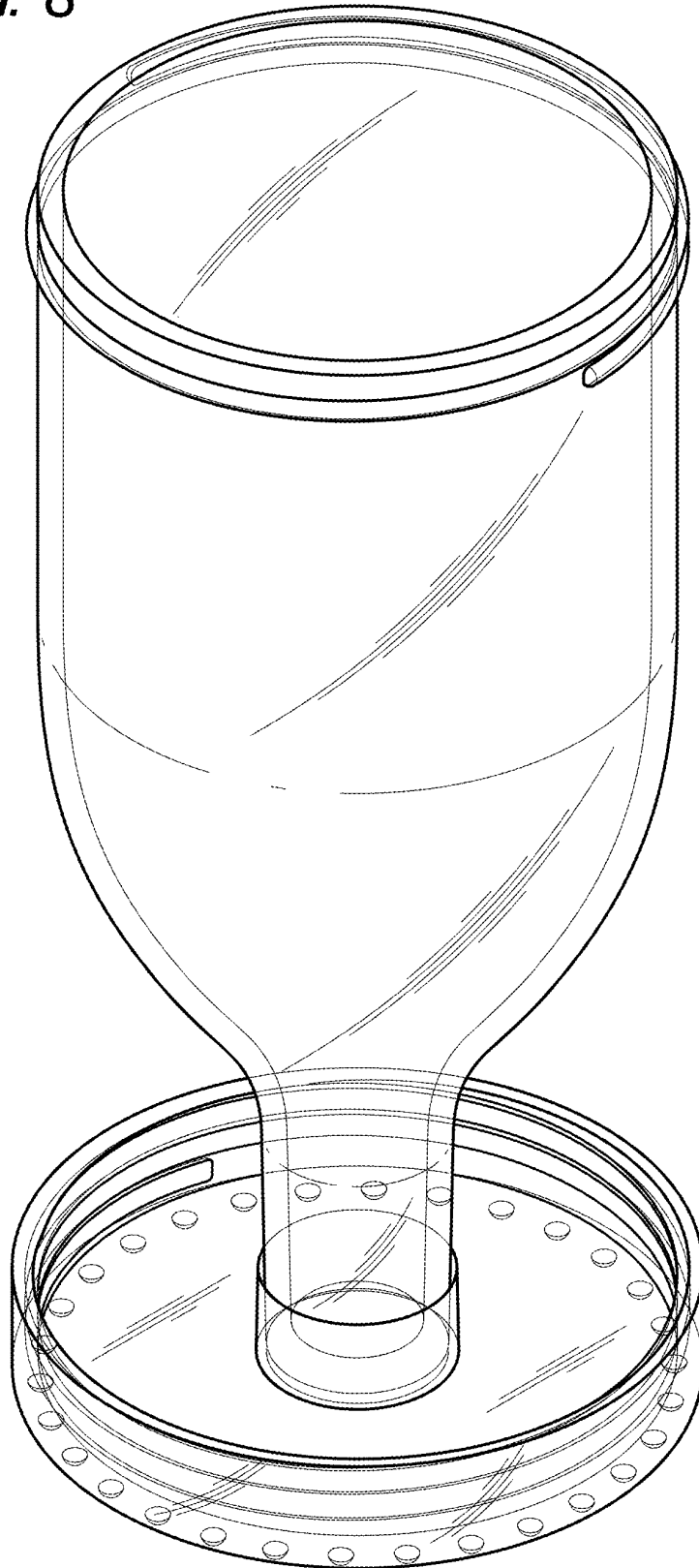


FIG. 9

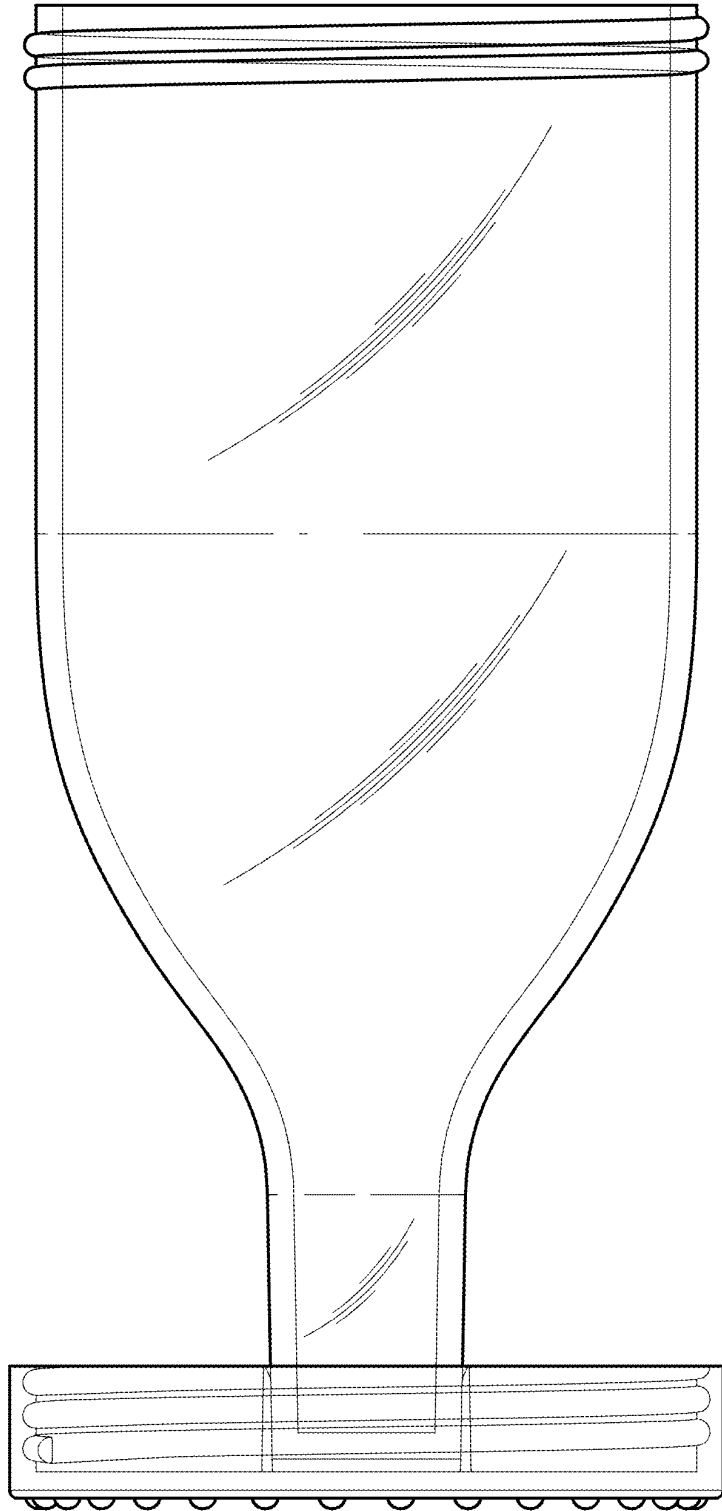


FIG. 10

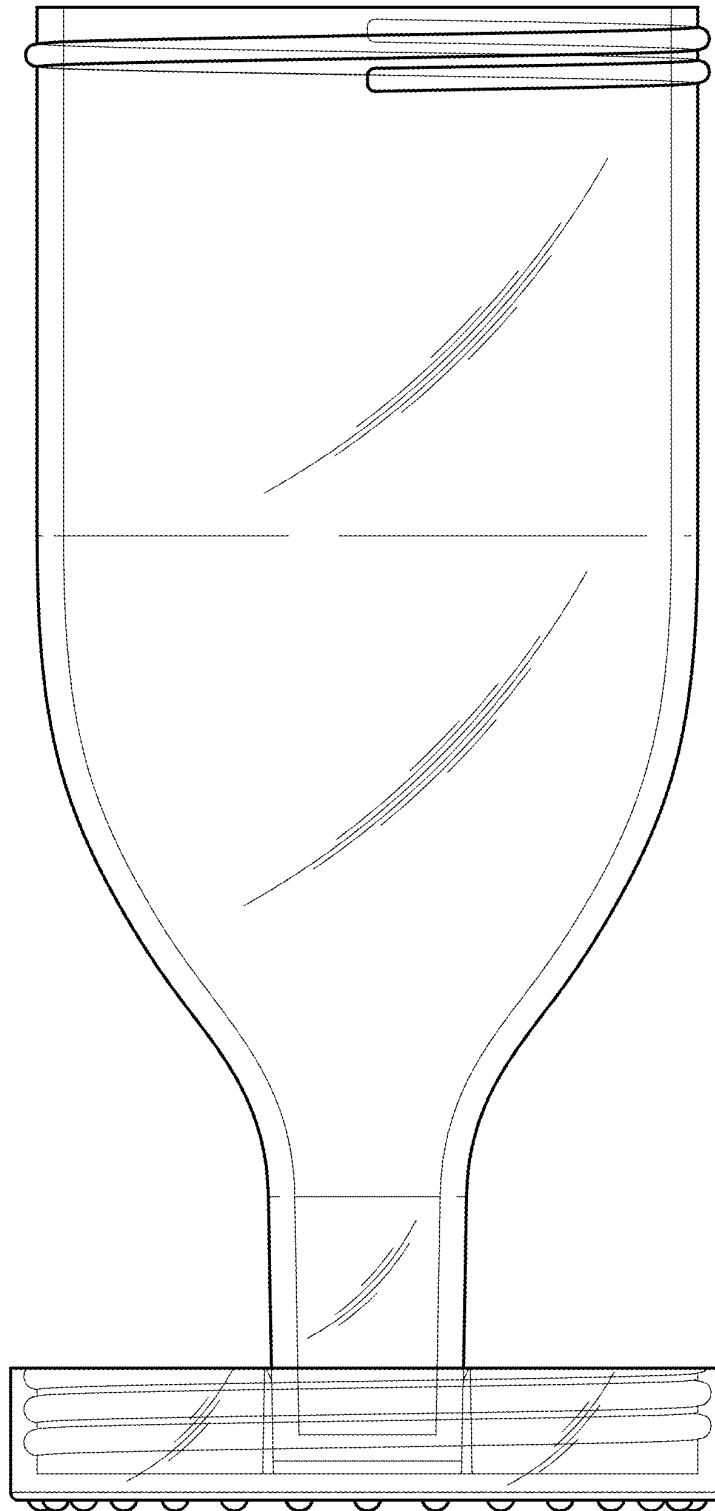


FIG. 11

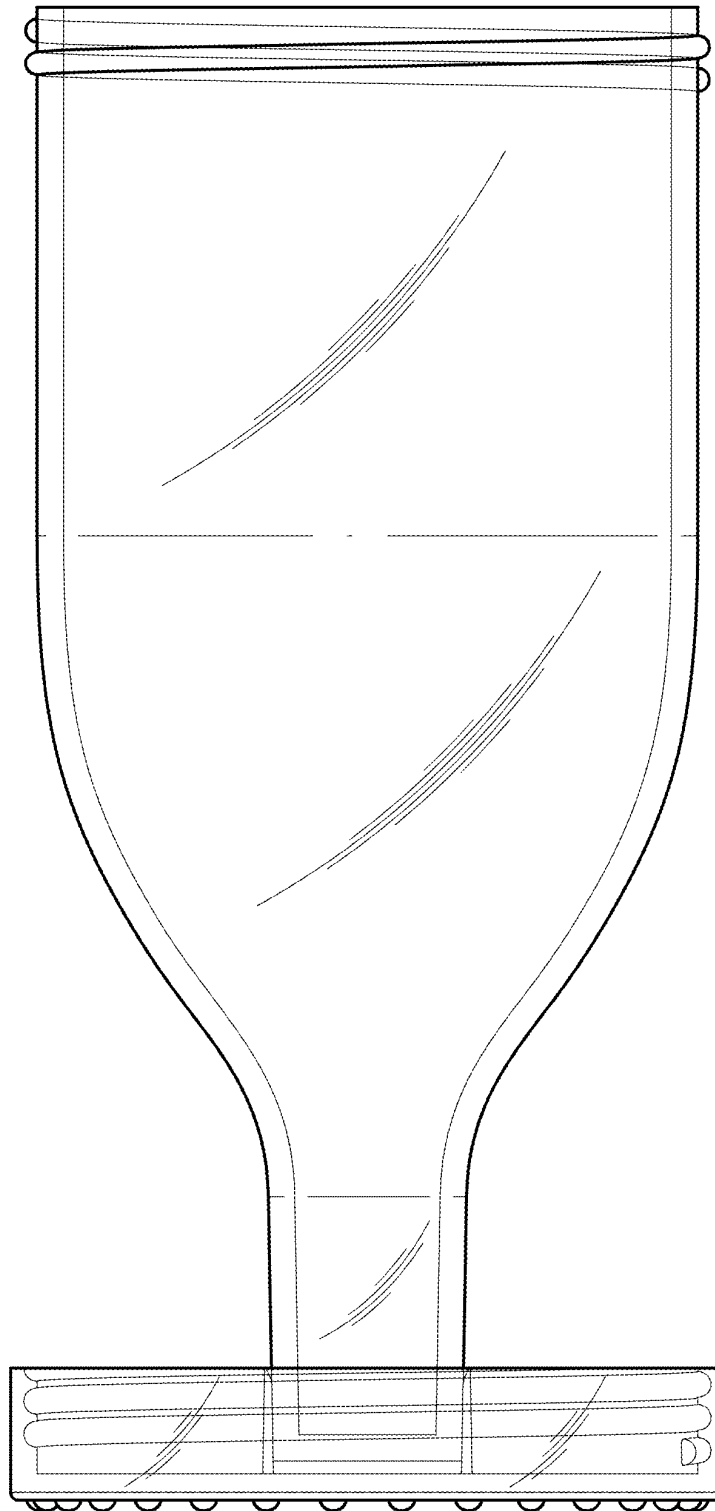


FIG. 12

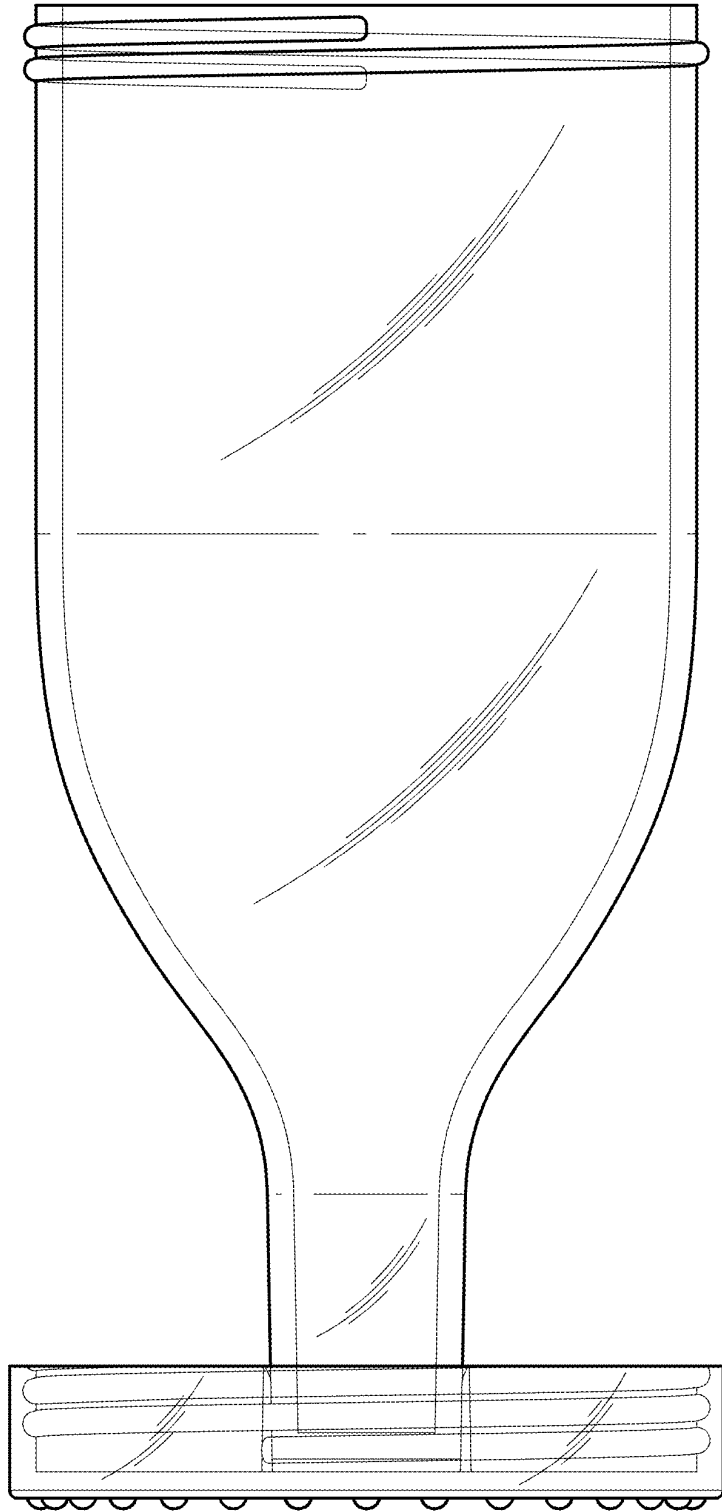


FIG. 13

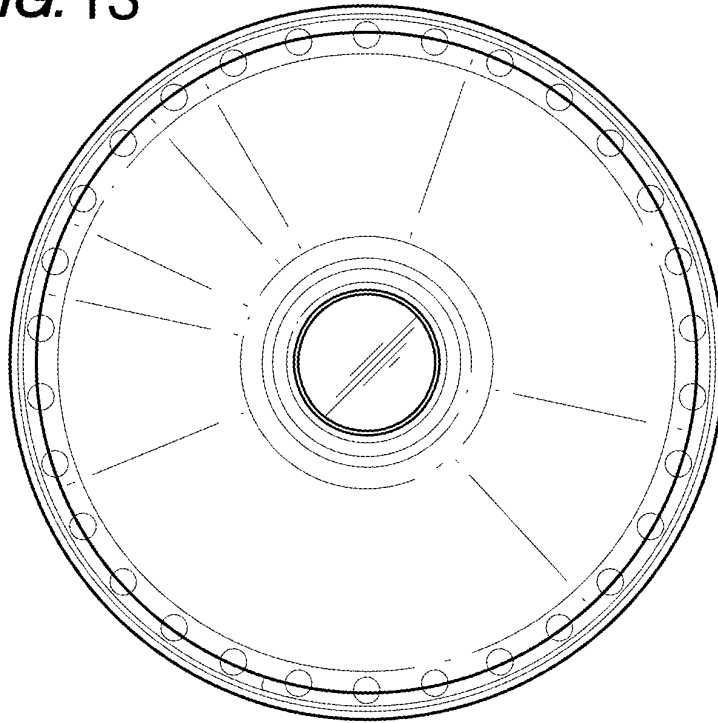


FIG. 14

