



US00D999038S

(12) **United States Design Patent**  
**Kalista et al.**

(10) **Patent No.:** **US D999,038 S**  
(45) **Date of Patent:** **\*\* Sep. 19, 2023**

(54) **OSCILLATING TOOL BLADE**  
(71) Applicants: **Karl W. Kalista**, Rocklin, CA (US);  
**Michelle L. Kalista**, Rocklin, CA (US)  
(72) Inventors: **Karl W. Kalista**, Rocklin, CA (US);  
**Michelle L. Kalista**, Rocklin, CA (US)  
(\*\*) Term: **15 Years**  
(21) Appl. No.: **29/803,352**  
(22) Filed: **Aug. 12, 2021**  
(51) **LOC (14) Cl.** ..... **08-05**  
(52) **U.S. Cl.** ..... **D8/70**  
USPC ..... **D8/70**  
(58) **Field of Classification Search**  
USPC ..... D8/9, 16, 19, 20, 61, 64, 70, 382, 14;  
D15/127, 133, 138, 140, 146  
CPC . B23B 31/10; B24B 23/04; B25F 3/00; B25F  
5/00; B25F 1/006; B25F 1/02; B27B  
5/29; B27B 5/30; B27B 19/006; Y10T  
83/9457; Y10T 83/9319; B23D 49/14;  
B23D 61/003; B23D 61/02; B23D 61/12;  
B23D 61/121; B23D 61/123; B23D  
61/126; B23D 61/128; D26B 5/001  
See application file for complete search history.

(56) **References Cited**  
U.S. PATENT DOCUMENTS  
D651,499 S \* 1/2012 Tong ..... D8/70  
D677,546 S \* 3/2013 Zhou ..... D8/20  
D682,652 S \* 5/2013 McRoberts ..... D8/20  
D697,384 S \* 1/2014 Wackwitz ..... D15/140  
D706,595 S \* 6/2014 Kaye, Jr. .... D8/20  
8,915,499 B2\* 12/2014 Kaye, Jr. .... B27B 19/006  
83/835  
D724,923 S \* 3/2015 McRoberts ..... D8/20  
D741,135 S \* 10/2015 Yang ..... D15/140  
D741,136 S \* 10/2015 Yang ..... D15/140  
D750,461 S \* 3/2016 McRoberts ..... D8/70

D809,355 S \* 2/2018 Butscher ..... D8/20  
D809,356 S \* 2/2018 Butscher ..... D8/20  
D814,900 S \* 4/2018 Kaye, Jr. .... D15/140  
D817,139 S \* 5/2018 Fellmann ..... D8/20  
D832,666 S \* 11/2018 Kaye, Jr. .... D8/20  
D853,817 S \* 7/2019 Ji ..... D8/20  
D856,766 S \* 8/2019 Kaye, Jr. .... D8/382  
D862,185 S \* 10/2019 Dai ..... D8/20  
D871,185 S \* 12/2019 Kaye, Jr. .... D8/20  
D873,099 S \* 1/2020 Kaye, Jr. .... D8/382  
D884,444 S \* 5/2020 Kaye, Jr. .... D8/382  
D924,030 S \* 7/2021 Kaye, Jr. .... D8/20  
D932,271 S \* 10/2021 Xu ..... D8/70  
D949,206 S \* 4/2022 Cmich ..... D15/17  
D953,833 S \* 6/2022 Heath ..... D8/20  
2017/0182570 A1\* 6/2017 Dvorak ..... B27B 19/006

(Continued)

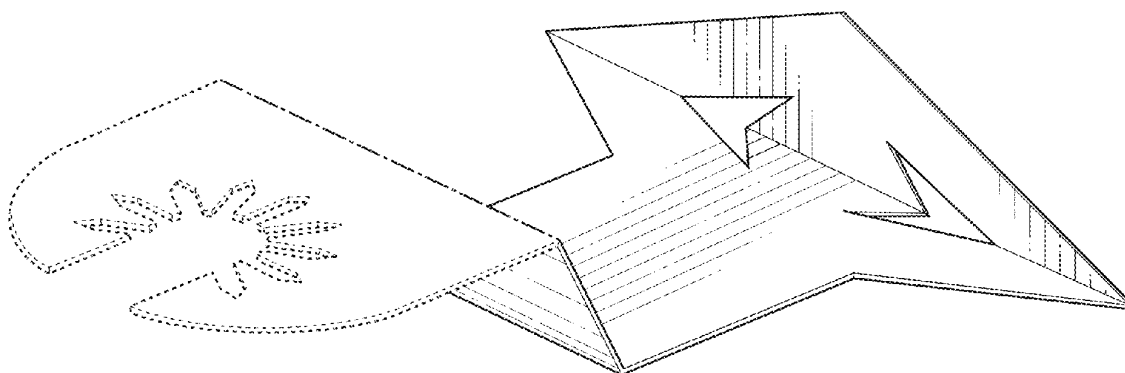
*Primary Examiner* — Jennifer L Rempfer  
*Assistant Examiner* — Kayla Marie Bennett  
(74) *Attorney, Agent, or Firm* — Craig A. Simmermon

(57) **CLAIM**  
We claim the ornamental design for an oscillating tool blade,  
as shown and described.

**DESCRIPTION**

FIG. 1 is a top perspective view of an oscillating tool blade  
showing my new design;  
FIG. 3 is a rear elevation view thereof;  
FIG. 2 is a front elevation view thereof;  
FIG. 4 is a right side elevation view thereof;  
FIG. 5 is a left side elevation view thereof;  
FIG. 6 is a top plan view thereof; and,  
FIG. 7 is a bottom plan view thereof.  
The dash-dash broken lines shown in FIGS. 1-7 illustrate  
portions of the oscillating tool blade that form no part of the  
claimed design; The dot-dash broken lines shown in FIGS.  
1-7 define the bounds of the claimed design and form no part  
thereof.

**1 Claim, 5 Drawing Sheets**



(56)

**References Cited**

U.S. PATENT DOCUMENTS

2017/0291238 A1\* 10/2017 Bernardi ..... B23D 61/006  
2022/0371113 A1\* 11/2022 Heath ..... B23D 61/123

\* cited by examiner

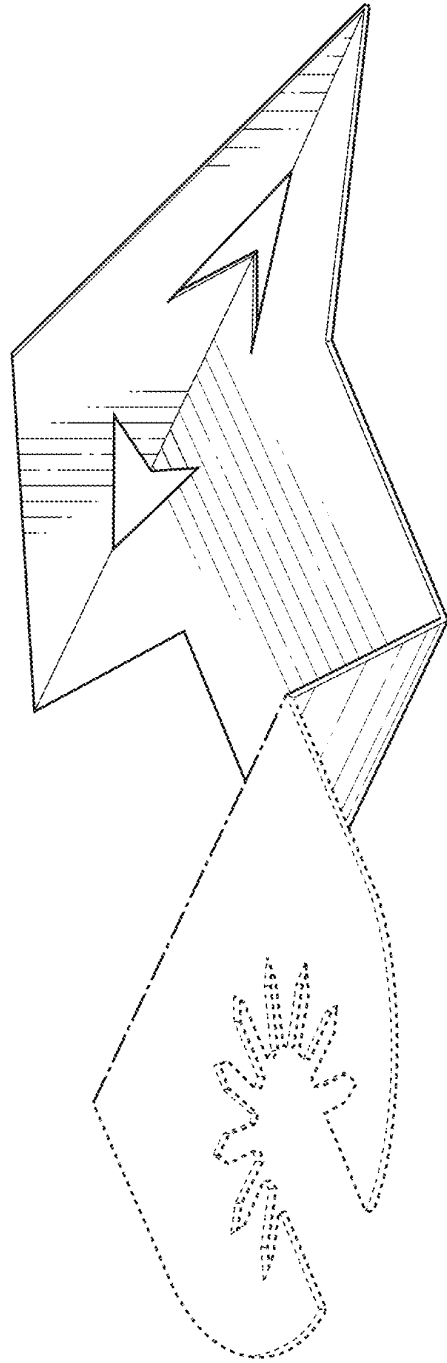


FIG. 1

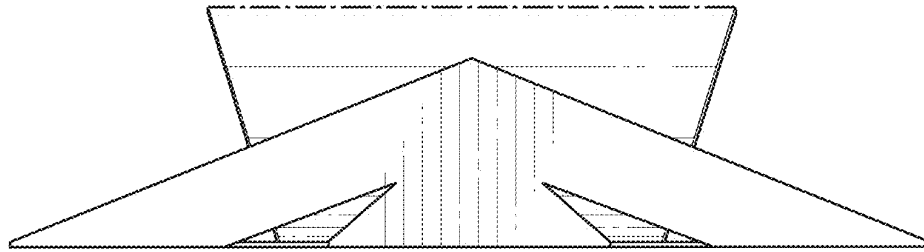


FIG. 2

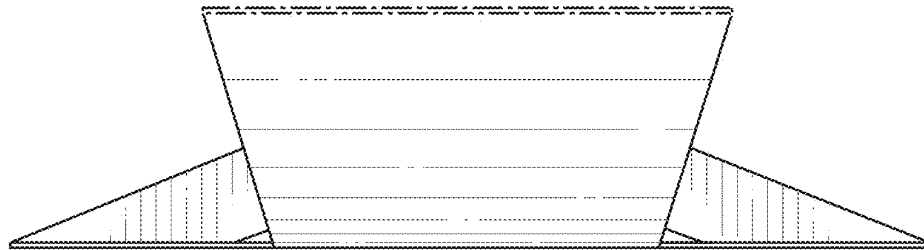


FIG. 3



FIG. 4



FIG. 5

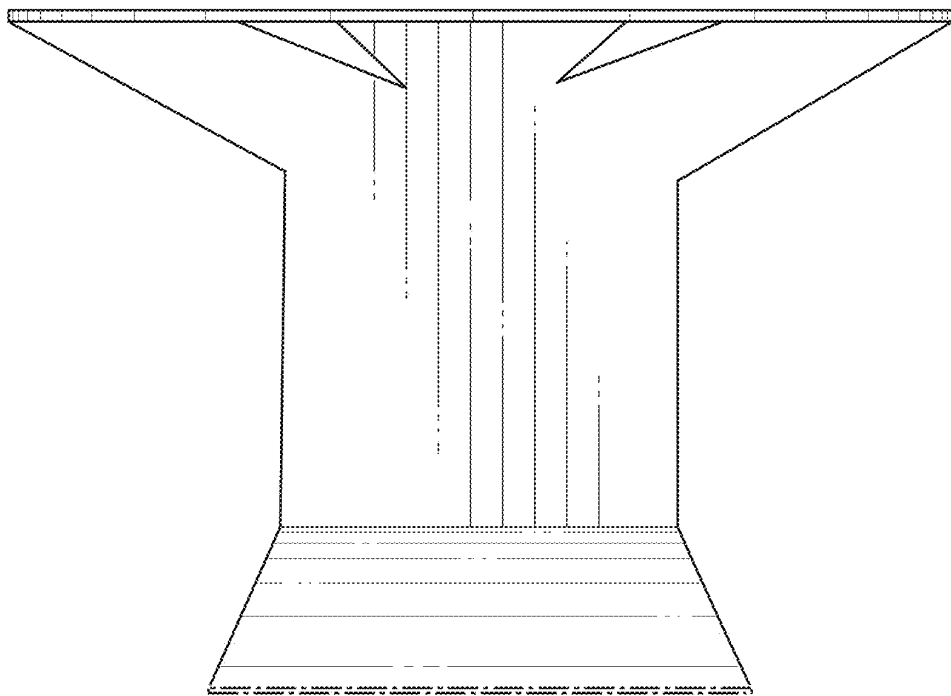


FIG. 6

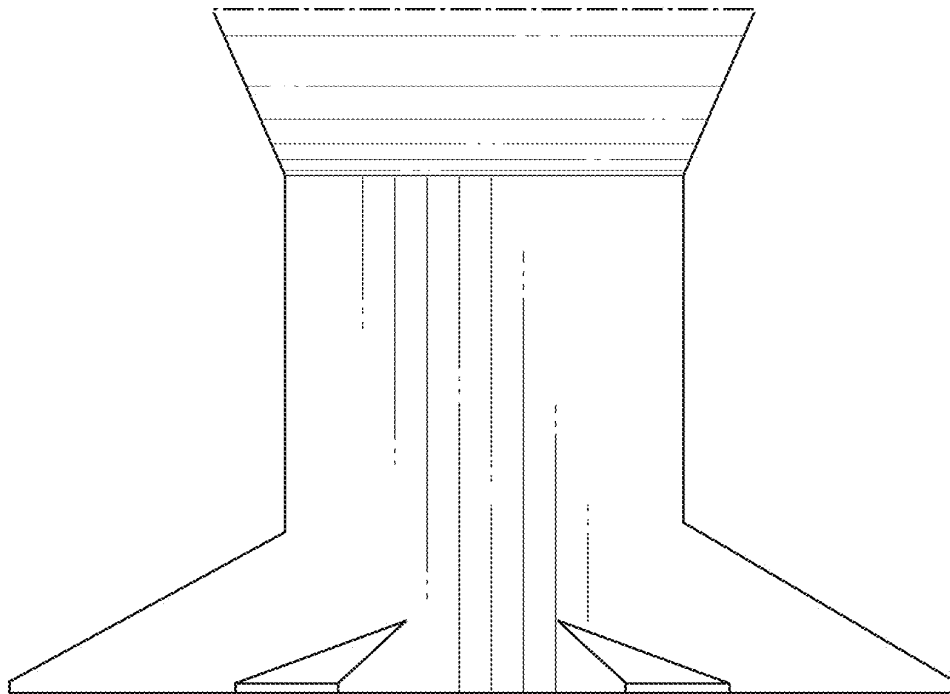


FIG. 7