



US00D992148S

(12) **United States Design Patent**  
**Phagura et al.**

(10) **Patent No.:** **US D992,148 S**

(45) **Date of Patent:** **\*\* Jul. 11, 2023**

(54) **TRAILER DOOR WITH DISPLAY**

10,030,434	B1*	7/2018	Plummer	.....	E06B 3/5481
D851,280	S *	6/2019	Gouge	.....	D25/48.3
D851,784	S *	6/2019	Gouge	.....	D25/48.3
D912,275	S *	3/2021	Phagura	.....	D25/48.3

\* cited by examiner

(71) Applicants: **Ranjit Singh Phagura**, Rocklin, CA  
(US); **Sandeep Kaur Uppal**, Rocklin,  
CA (US)

*Primary Examiner* — Leanne Was-Englehart

(74) *Attorney, Agent, or Firm* — Craig A. Simmerman

(72) Inventors: **Ranjit Singh Phagura**, Rocklin, CA  
(US); **Sandeep Kaur Uppal**, Rocklin,  
CA (US)

(57) **CLAIM**

(\*\*) Term: **15 Years**

We claim the ornamental design for a trailer door with display, as shown and described.

(21) Appl. No.: **29/796,037**

**DESCRIPTION**

(22) Filed: **Jun. 22, 2021**

FIG. 1 is a perspective view of a trailer door with display showing my new design;

(51) **LOC (14) Cl.** ..... **25-02**

FIG. 2 is a front elevation view thereof;

(52) **U.S. Cl.**

FIG. 3 is a rear elevation view thereof;

USPC ..... **D25/48.3**; D12/196

FIG. 4 is a left side elevation view thereof;

(58) **Field of Classification Search**

FIG. 5 is a right side elevation view thereof;

USPC .... D12/100, 103, 106, 196; D25/48.1, 48.3,  
D25/60

FIG. 6 is a top plan view thereof;

CPC ..... E06B 3/44; E06B 3/4423; E06B 5/003;  
E06B 2003/4453; E06B 2003/4492

FIG. 7 is a bottom plan view thereof;

See application file for complete search history.

FIG. 8 is a perspective view of a second embodiment of a trailer door with display showing my new design;

(56) **References Cited**

FIG. 9 is a front elevation view thereof;

**U.S. PATENT DOCUMENTS**

D396,300	S *	7/1998	Grimaldi	.....	D25/48.3
D458,876	S *	6/2002	Kendall	.....	D12/103
D789,553	S *	6/2017	Allen	.....	D25/48.3

FIG. 10 is a rear elevation view thereof;

FIG. 11 is a left side elevation view thereof;

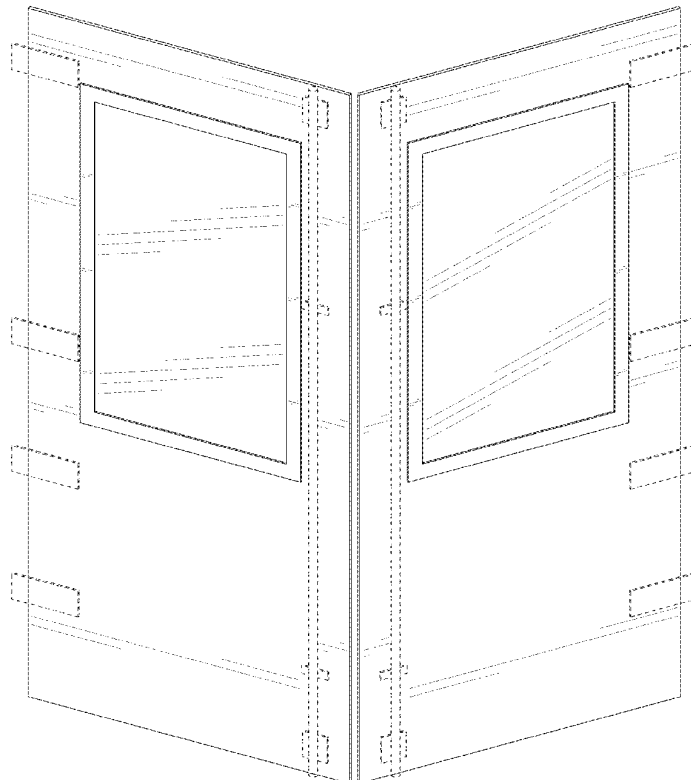
FIG. 12 is a right side elevation view thereof;

FIG. 13 is a top plan view thereof; and,

FIG. 14 is a bottom plan view thereof.

The broken lines depict portions of the trailer door with display that form no part of the claimed design.

**1 Claim, 10 Drawing Sheets**



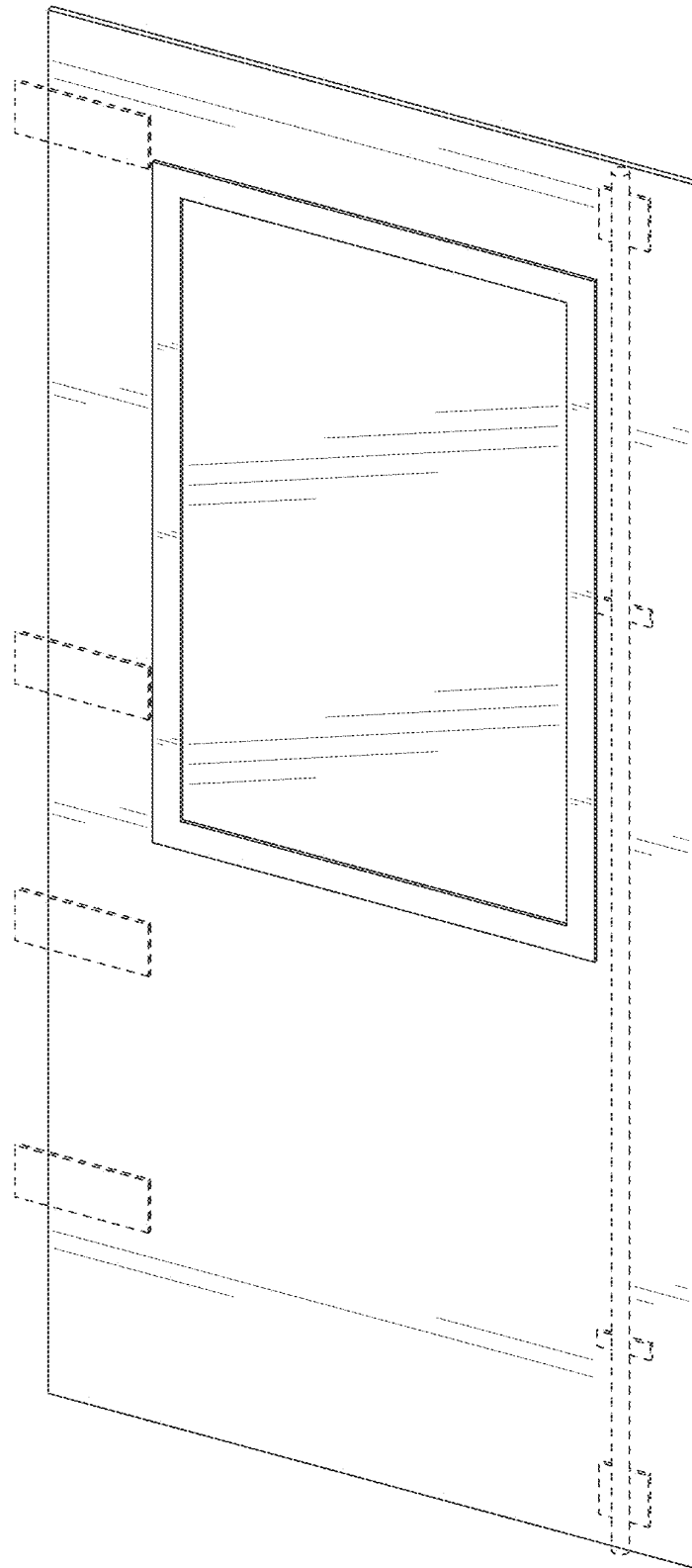


FIG. 1

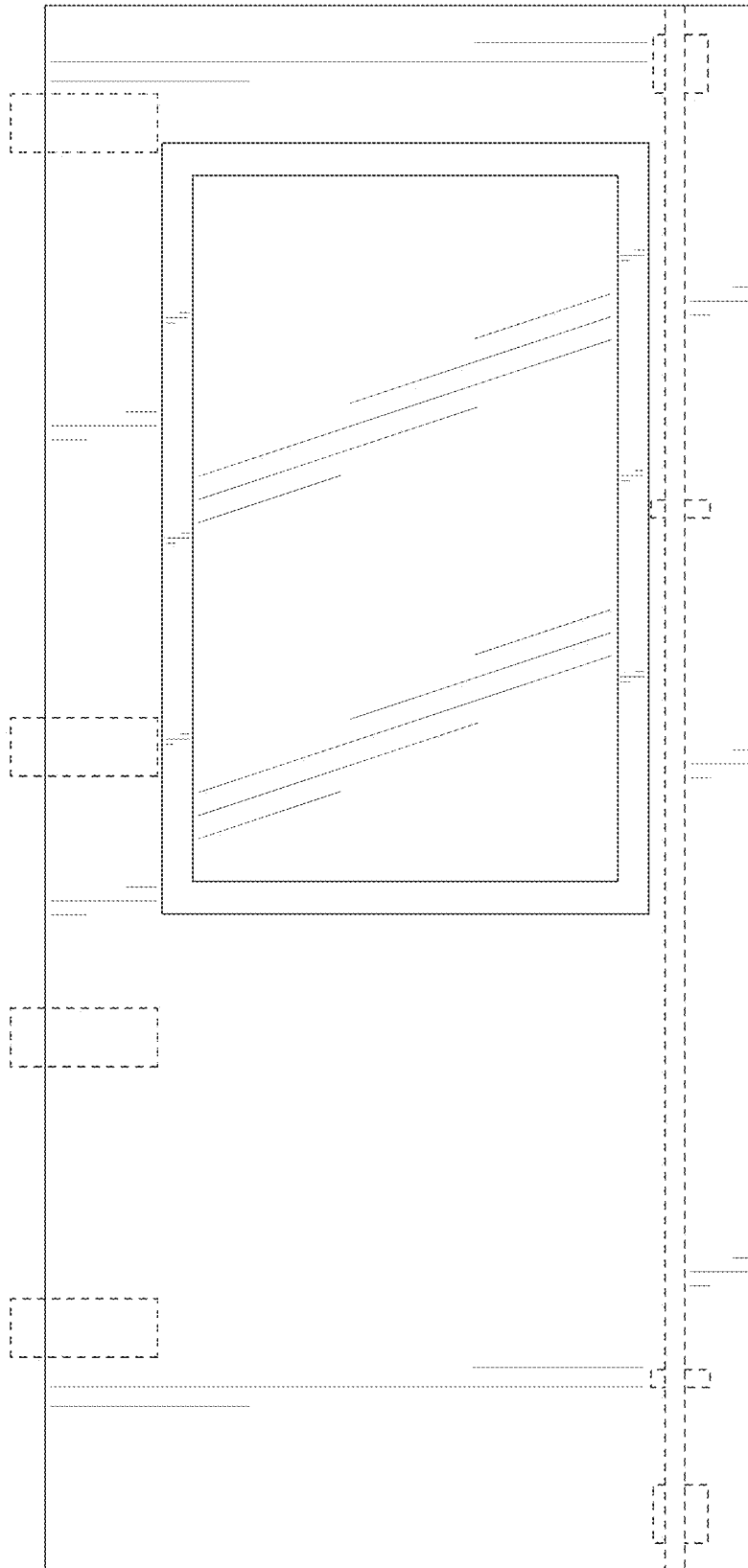


FIG. 2

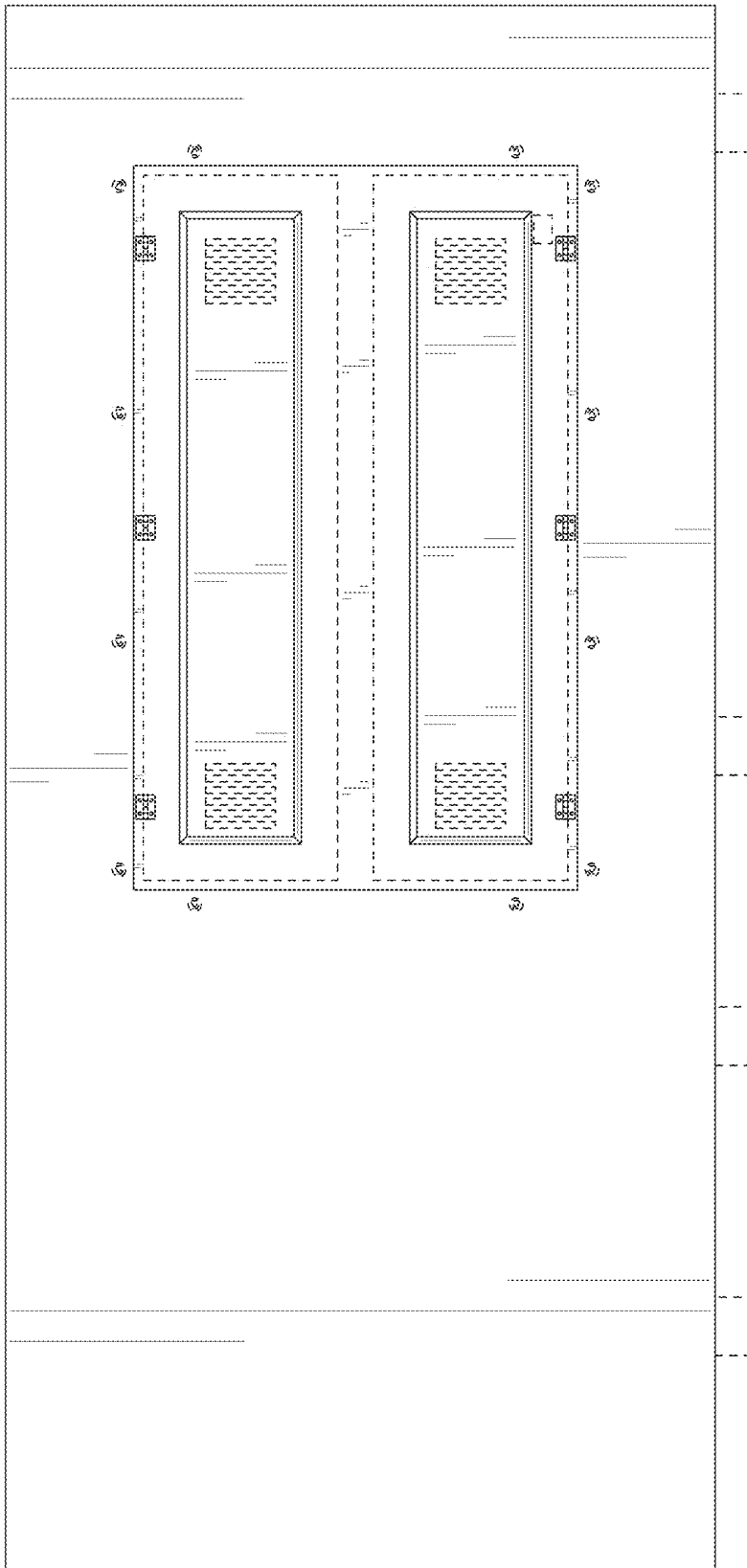


FIG. 3

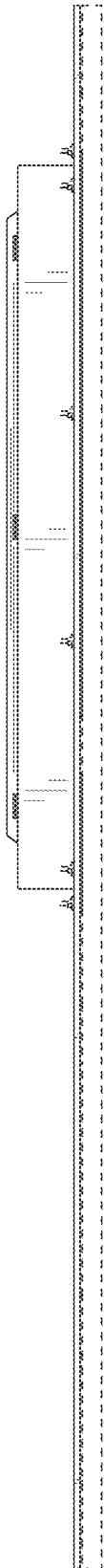


FIG. 4

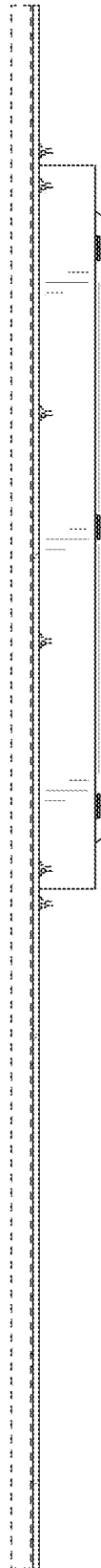


FIG. 5

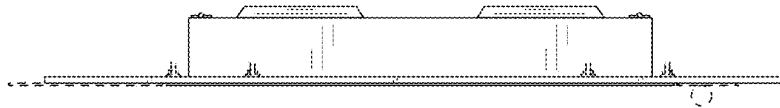


FIG. 6

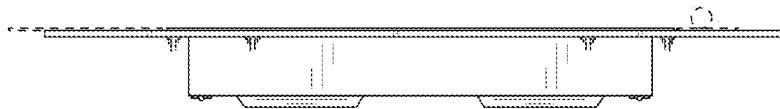


FIG. 7

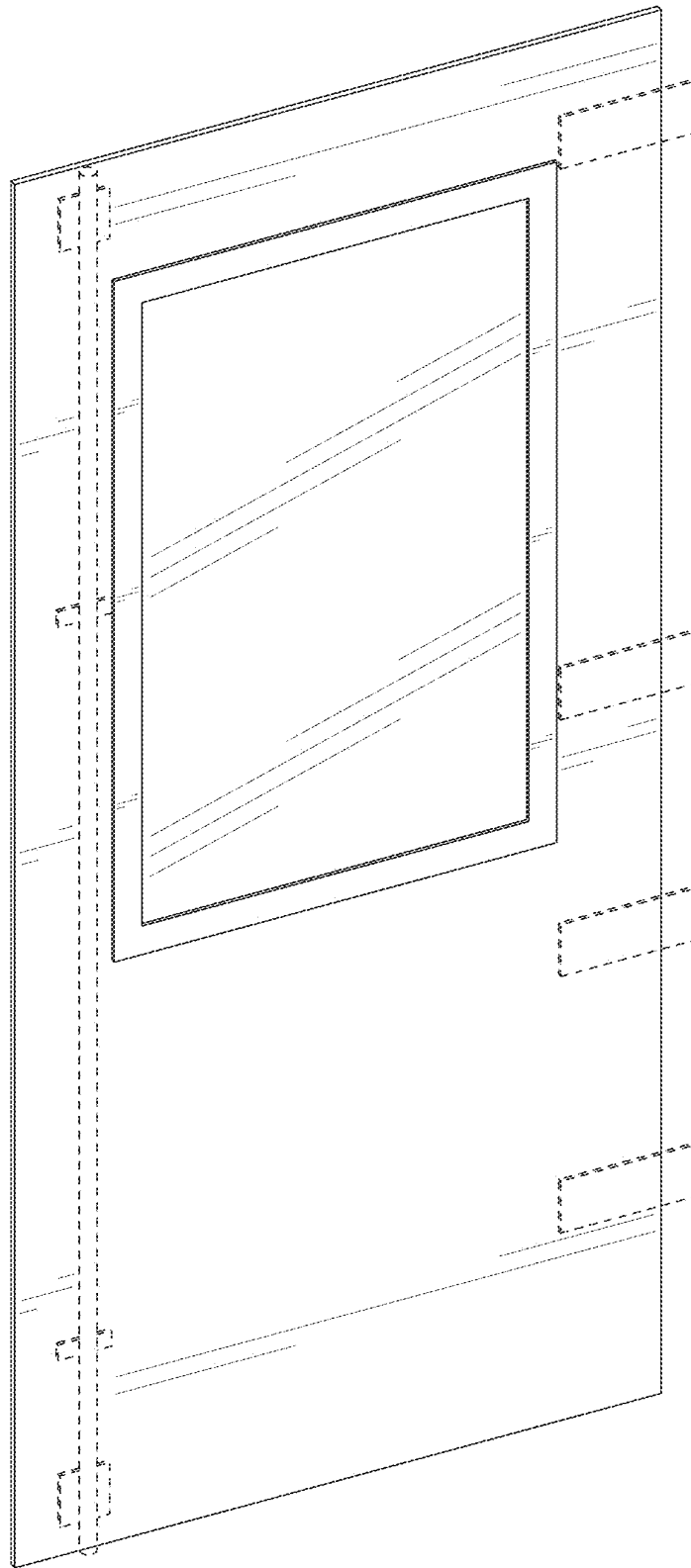


FIG. 8

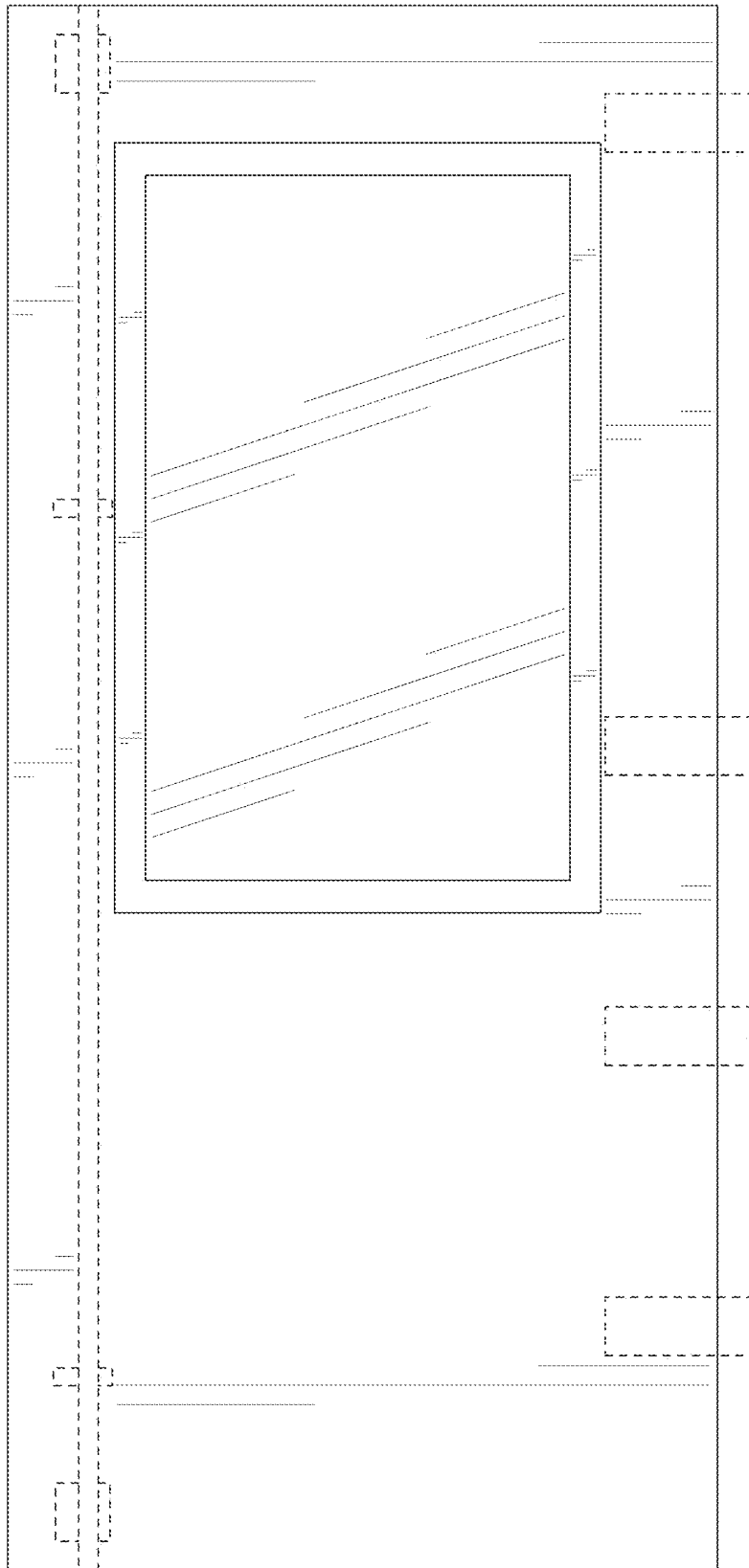


FIG. 9



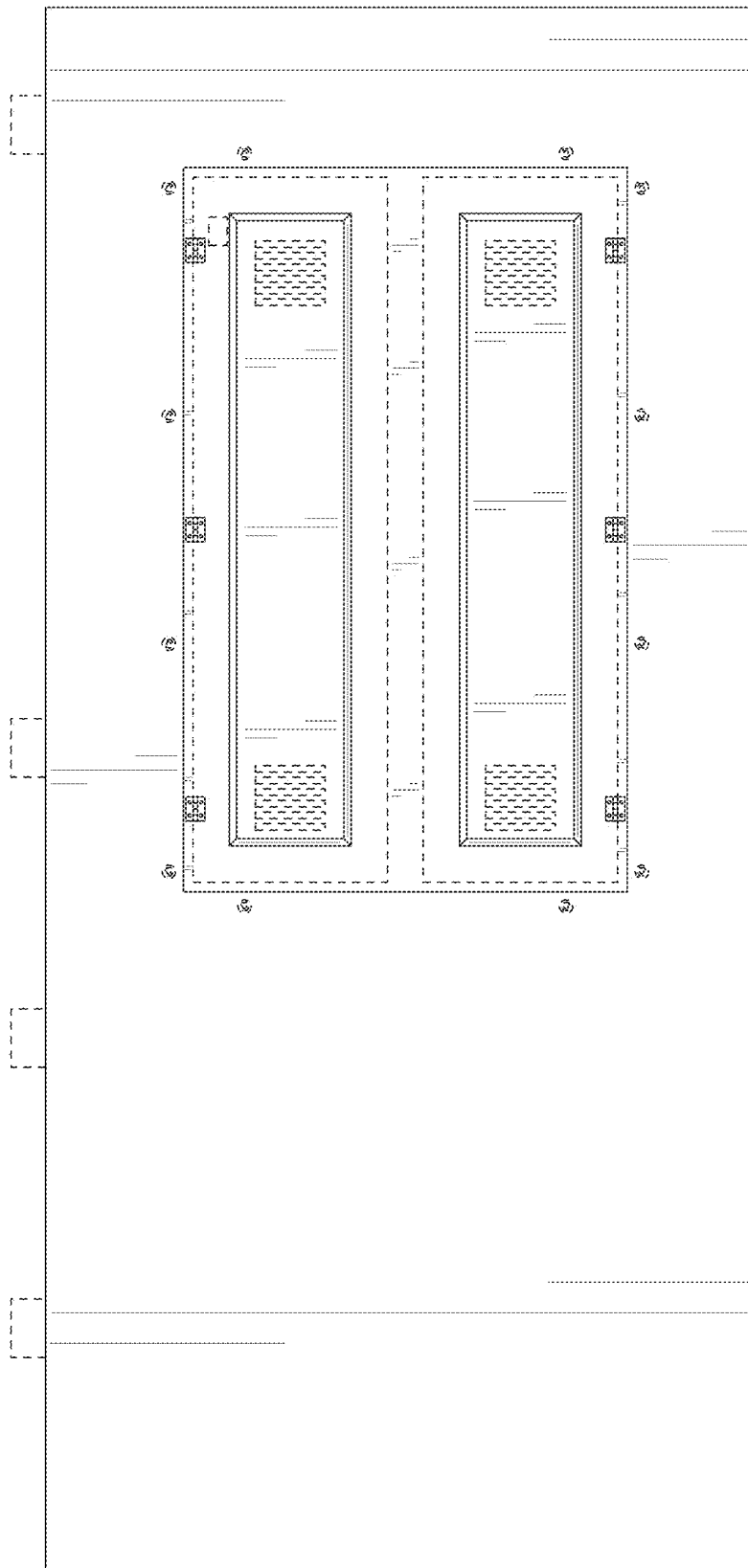


FIG. 10

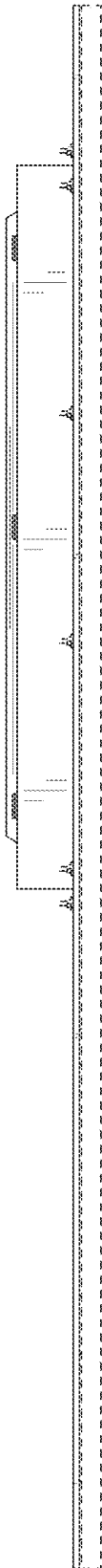


FIG. 11



FIG. 12

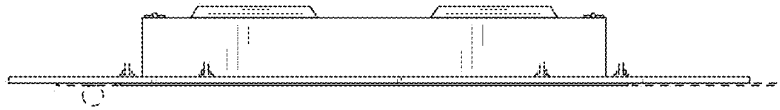


FIG. 13

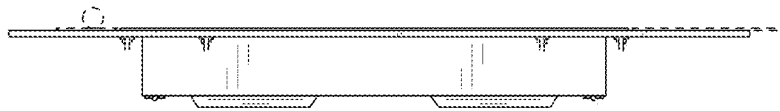


FIG. 14