



US00D991783S

(12) **United States Design Patent**  
**Lignos et al.**

(10) **Patent No.:** **US D991,783 S**

(45) **Date of Patent:** **\*\* Jul. 11, 2023**

(54) **CONTAINER**

(71) Applicants: **Aikaterini Lignos**, Folsom, CA (US);  
**Nikoletta Davis**, Folsom, CA (US)

(72) Inventors: **Aikaterini Lignos**, Folsom, CA (US);  
**Nikoletta Davis**, Folsom, CA (US)

(\*\*) Term: **15 Years**

(21) Appl. No.: **29/748,511**

(22) Filed: **Aug. 29, 2020**

(51) **LOC (14) Cl.** ..... **09-03**

(52) **U.S. Cl.** ..... **D9/428**  
USPC ..... **D9/428**

(58) **Field of Classification Search**

USPC ..... D7/601, 602; D9/420, 425-429, 430,  
D9/432, 737, 761  
CPC ... B65D 1/00; B65D 1/26; B65D 1/34; B65D  
1/40; B65D 11/00; B65D 11/20; B65D  
21/00; B65D 21/02; B65D 21/0209;  
B65D 21/0233; B65D 81/34; B65D  
81/3446; B65D 81/3453; B65D 2581/34;  
B65D 2581/3404; B65D 2581/3409  
See application file for complete search history.

(56) **References Cited**

**U.S. PATENT DOCUMENTS**

D250,940 S \* 1/1979 Magee ..... 47/79  
D338,636 S \* 8/1993 Moore ..... D11/152  
D362,801 S \* 10/1995 Milroy ..... D9/745  
D381,582 S \* 7/1997 Bolton ..... D9/780  
D390,460 S \* 2/1998 Schmidt ..... D9/428

D437,219 S \* 2/2001 Gallart ..... D9/418  
D452,150 S \* 12/2001 Viner ..... D9/428  
D516,915 S \* 3/2006 Gaines ..... D9/503  
D585,304 S \* 1/2009 Alvares ..... D9/778  
D596,024 S \* 7/2009 Fraguada McCoy ..... D9/428  
D649,039 S \* 11/2011 Golota ..... D9/429

\* cited by examiner

*Primary Examiner* — Janice Patyk

(74) *Attorney, Agent, or Firm* — Craig A. Simmermon

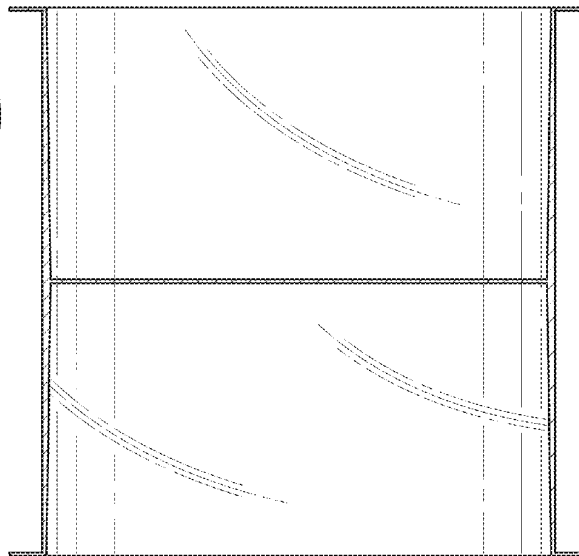
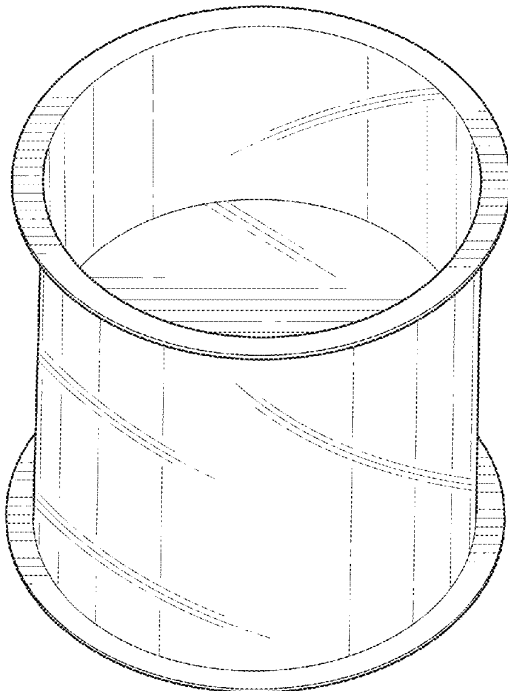
(57) **CLAIM**

We claim the ornamental design for a container, as shown and described.

**DESCRIPTION**

FIG. 1 is a top perspective view of embodiment one, of a container, showing my new design;  
FIG. 2 is a front elevation view thereof, rear elevation, right side elevation, and left side elevation views being the same;  
FIG. 3 is a top plan view thereof;  
FIG. 4 is a bottom plan view thereof;  
FIG. 5 is a cross-section view thereof, taken along line 5-5 in FIG. 3;  
FIG. 6 is a top perspective view of embodiment two, of a container, showing my new design;  
FIG. 7 is a front elevation view thereof, rear elevation, right side elevation, and left side elevation views being the same;  
FIG. 8 is a top plan view thereof;  
FIG. 9 is a bottom plan view thereof; and,  
FIG. 10 is a cross-sectional view thereof, taken along line 10-10 in FIG. 8.

**1 Claim, 6 Drawing Sheets**



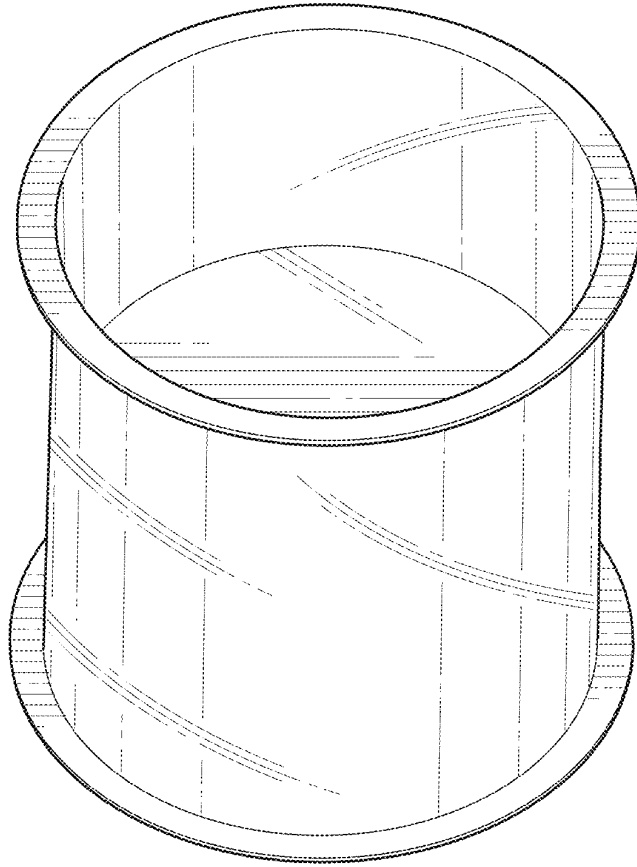


FIG. 1

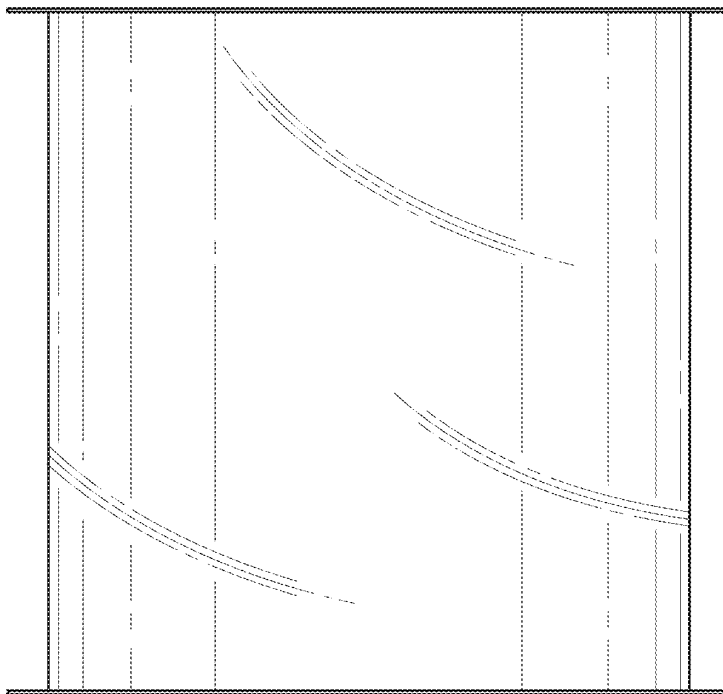


FIG. 2

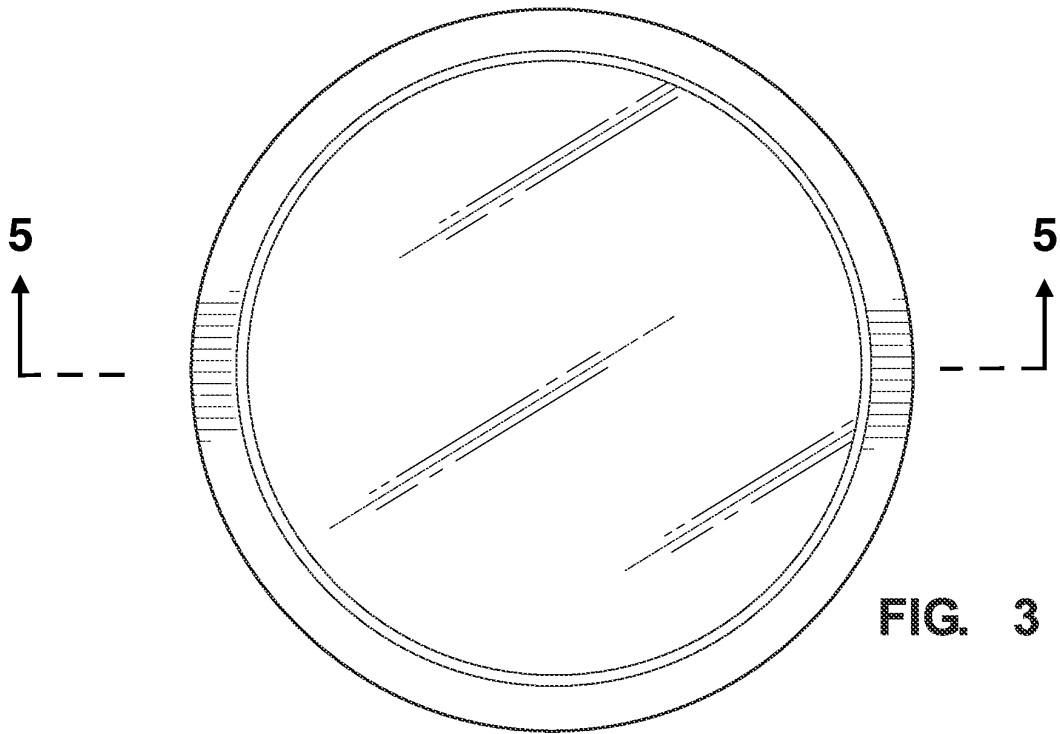


FIG. 3

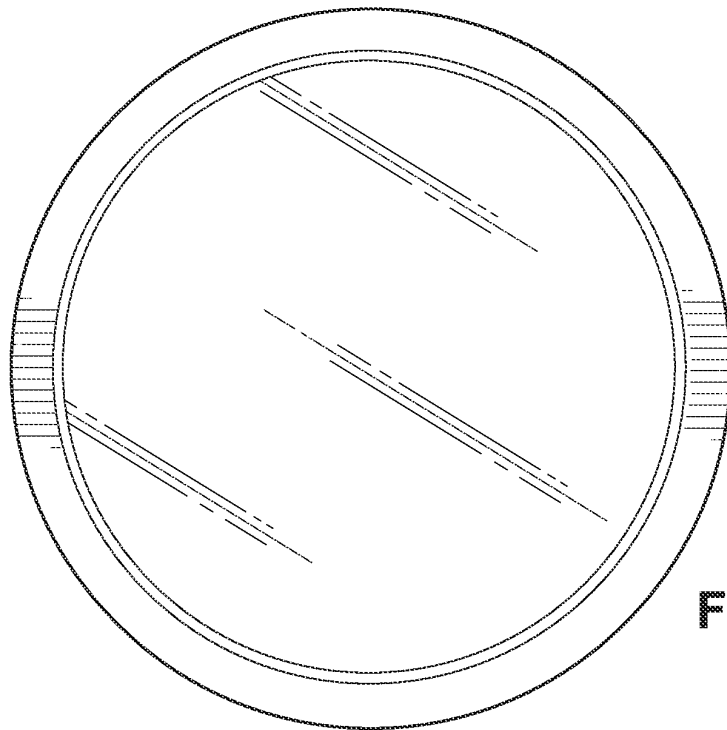


FIG. 4

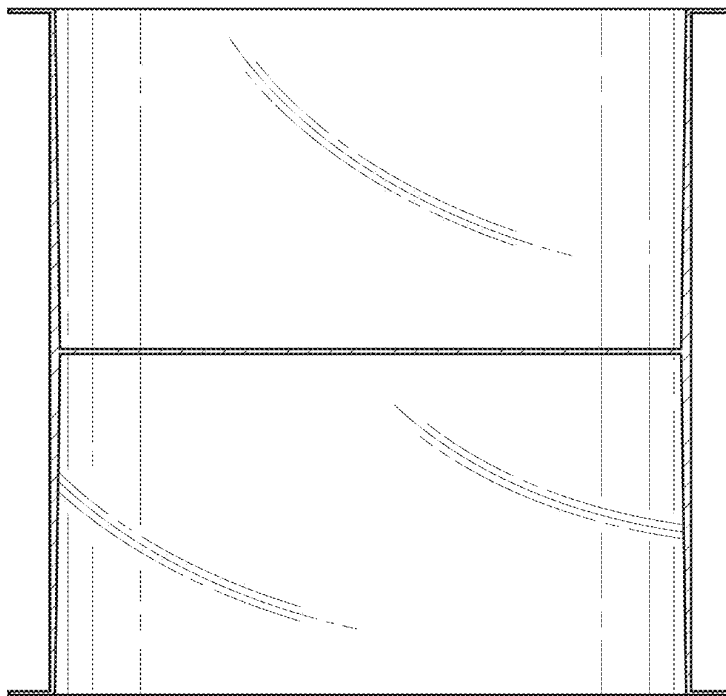


FIG. 5

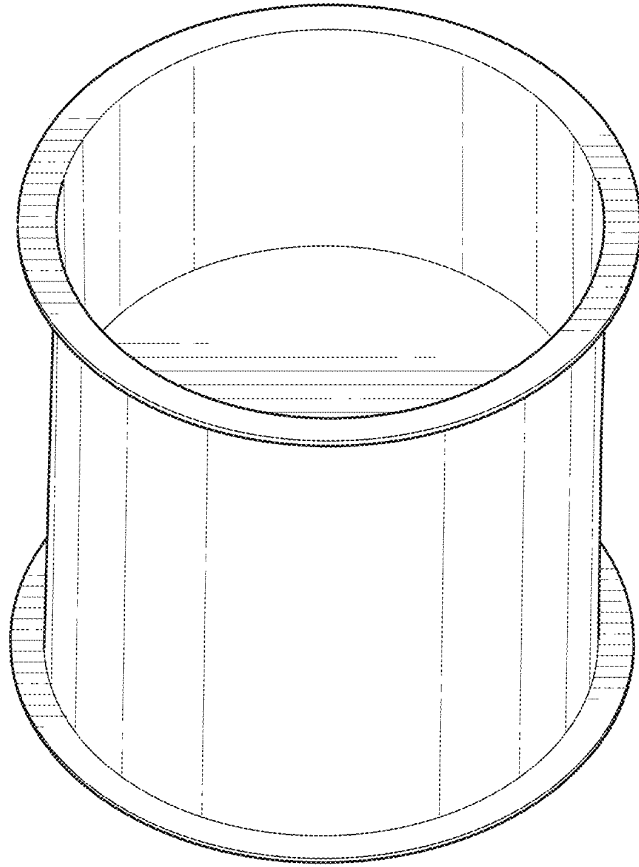


FIG. 6

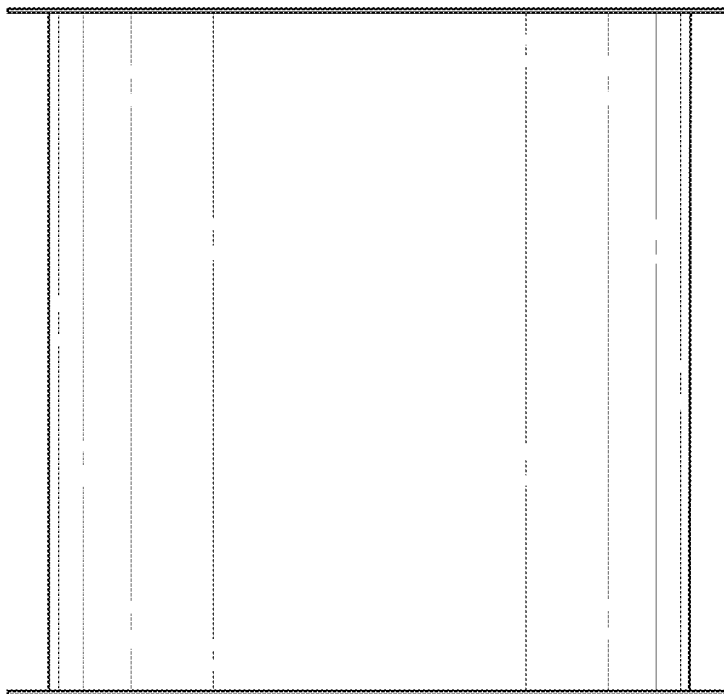


FIG. 7

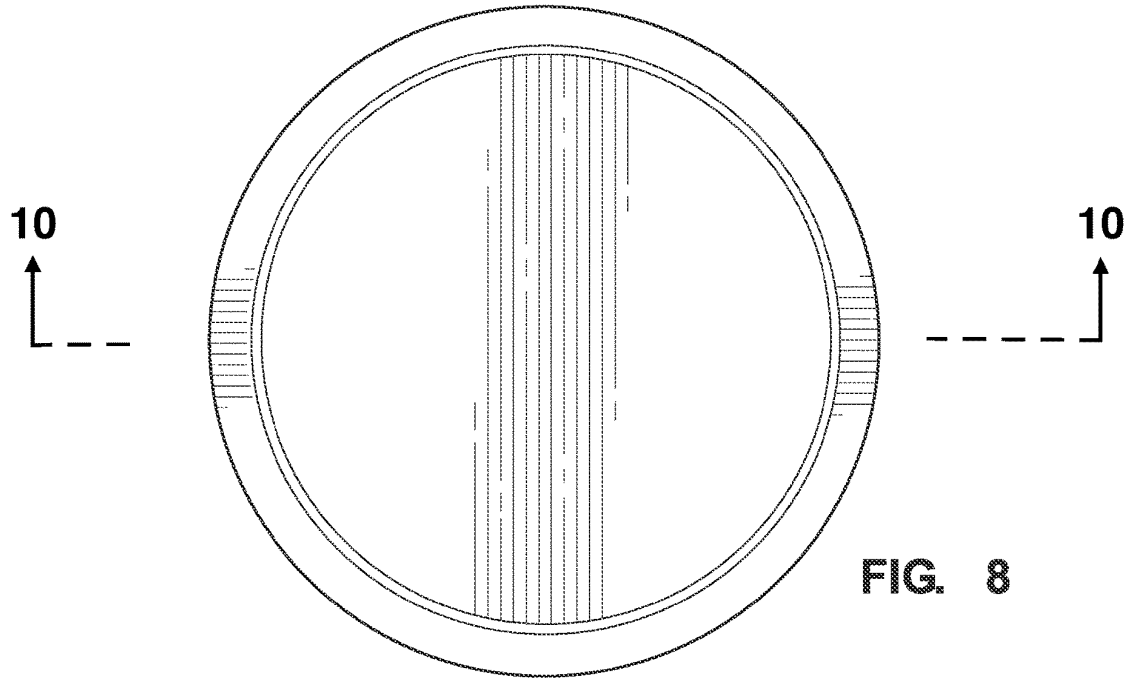


FIG. 8

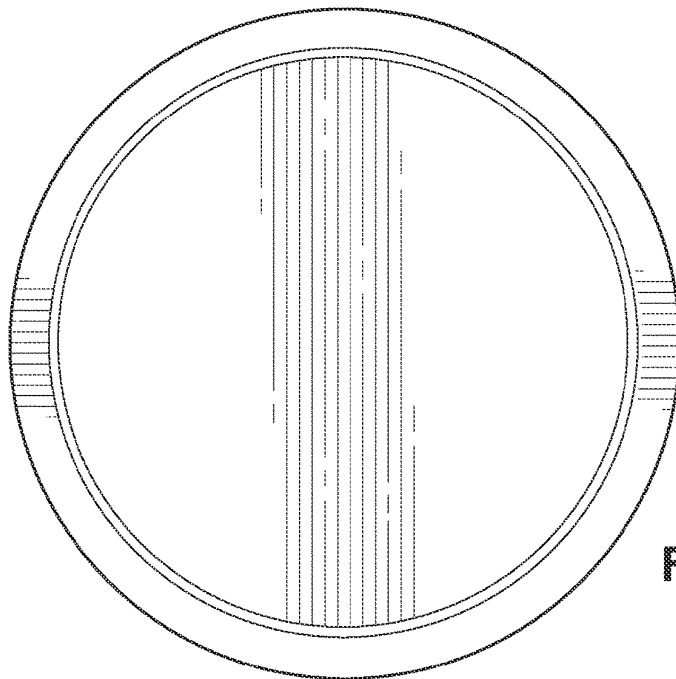


FIG. 9

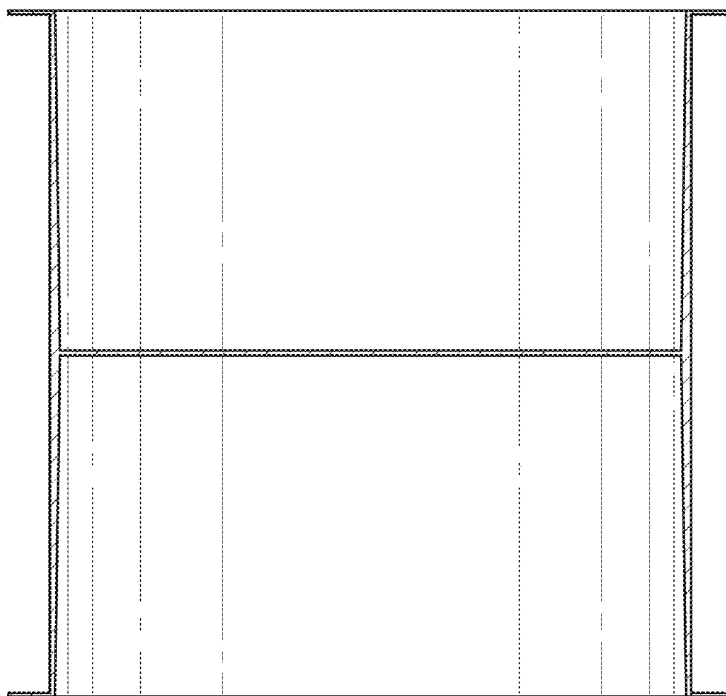


FIG. 10