



US00D989638S

(12) **United States Design Patent**
McFeely

(10) **Patent No.:** **US D989,638 S**

(45) **Date of Patent:** **** Jun. 20, 2023**

(54) **MEASURING LID**

(71) Applicant: **Terry Lynn McFeely**, Nevada City, CA (US)

(72) Inventor: **Terry Lynn McFeely**, Nevada City, CA (US)

(**) Term: **15 Years**

(21) Appl. No.: **29/767,523**

(22) Filed: **Jan. 22, 2021**

(51) **LOC (14) Cl.** **10-04**

(52) **U.S. Cl.**
USPC **D10/46.2; D9/454**

(58) **Field of Classification Search**
USPC D10/46.2, 46.3, 96, 101; D24/116, 224; D7/691, 682, 509, 523, 603, 510, 511; D11/152, 142, 146; D26/9; D9/444, D9/445, 452, 454, 716, 512
CPC B65D 41/26; G01F 19/00-007; A47G 2019/2277; A47G 19/2205
See application file for complete search history.

(56) **References Cited**

U.S. PATENT DOCUMENTS

1,986,741	A	*	1/1935	Moser	G01F 19/00
						141/381
D197,025	S	*	12/1963	Marcus	D10/46.2
3,490,290	A	*	1/1970	Bilson	G01F 19/00
						141/345
D259,461	S	*	6/1981	Daenen	D10/46.2
D274,981	S	*	8/1984	Hoyt	D9/447
D292,381	S	*	10/1987	Kowollik	D9/452
D359,451	S	*	6/1995	Dees	D9/454
D412,448	S	*	8/1999	Bentson	D10/46.2
D479,995	S	*	9/2003	Duceppe	D9/445
D550,036	S	*	9/2007	Holcomb	D7/691
D670,142	S	*	11/2012	Cetera	D7/691
D672,649	S	*	12/2012	Cummings	D9/454
D710,650	S	*	8/2014	Blum	D7/510

D756,705 S * 5/2016 Abrams D7/510
D871,151 S * 12/2019 Hudson D7/512
D887,845 S * 6/2020 LaPierre D9/454
(Continued)

OTHER PUBLICATIONS

Yamazaki, Tiered Measuring Cup, 2018, Amazon, <https://www.amazon.com/Yamazaki-Industries-2546-Layered-Measuring/dp/B00TY10C7M> (Year: 2018).*

Primary Examiner — Brett Miller
(74) *Attorney, Agent, or Firm* — Craig A. Simmermon

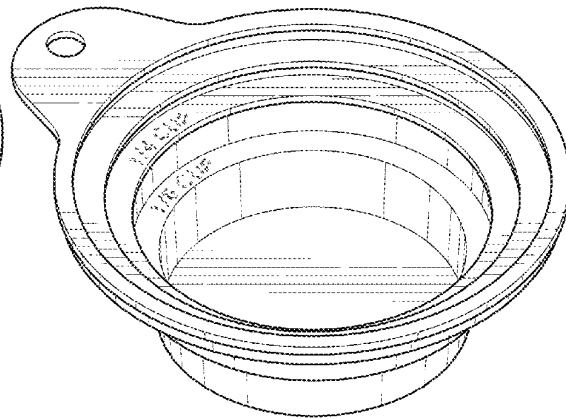
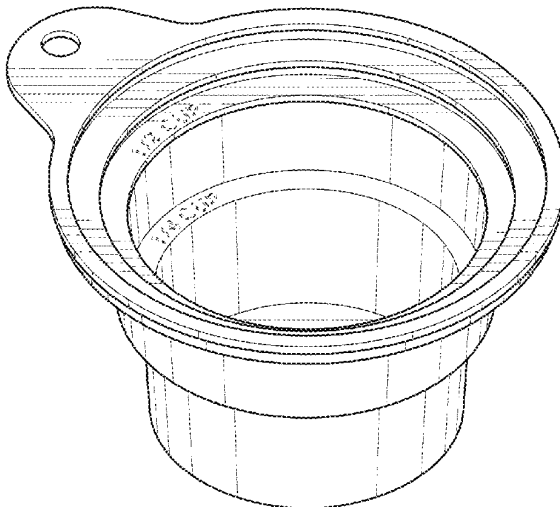
(57) **CLAIM**

I claim the ornamental design for a measuring lid, as shown and described.

DESCRIPTION

FIG. 1 is a top perspective view of a measuring lid showing my new design;
FIG. 2 is a top plan view thereof;
FIG. 3 is a bottom plan view thereof;
FIG. 4 is a left side elevation view thereof;
FIG. 5 is a right side elevation view thereof;
FIG. 6 is a front elevation view thereof;
FIG. 7 is a rear elevation view thereof;
FIG. 8 is a cross-section view thereof, taken along line 8-8 in FIG. 2;
FIG. 9 is a top perspective view of a second embodiment of a measuring lid showing my new design;
FIG. 10 is a top plan view thereof;
FIG. 11 is a bottom plan view thereof;
FIG. 12 is a left side elevation view thereof;
FIG. 13 is a right side elevation view thereof;
FIG. 14 is a front elevation view thereof;
FIG. 15 is a rear elevation view thereof; and,
FIG. 16 is a cross-section view thereof, taken along line 16-16 in FIG. 10.
The broken lines depict unclaimed subject matter that forms no part of the claimed design.

1 Claim, 10 Drawing Sheets



(56)

References Cited

U.S. PATENT DOCUMENTS

D907,499	S *	1/2021	Margetis	D9/454
D953,859	S *	6/2022	Macrellino	B65D 47/121
				D9/454
D953,862	S *	6/2022	LaPierre	D9/454
2009/0056440	A1 *	3/2009	Vendl	G01F 19/00
				73/426

* cited by examiner

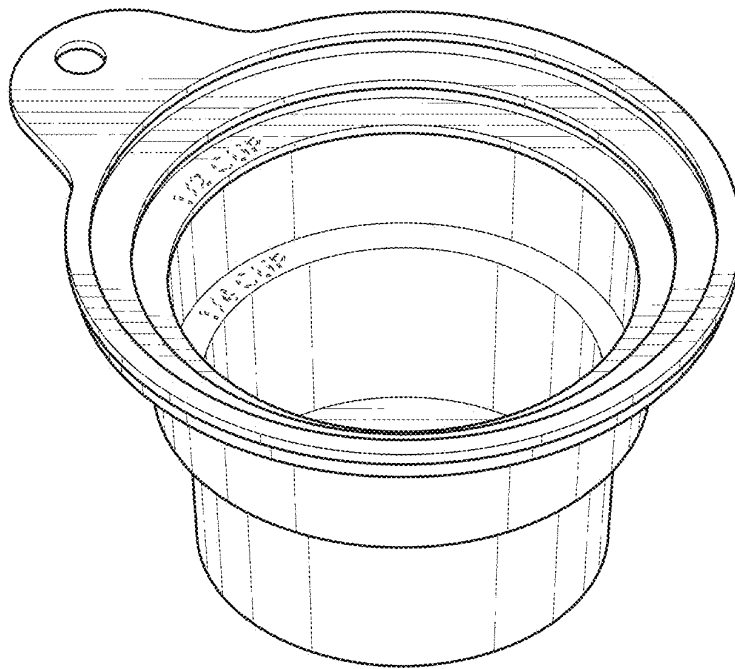


FIG. 1

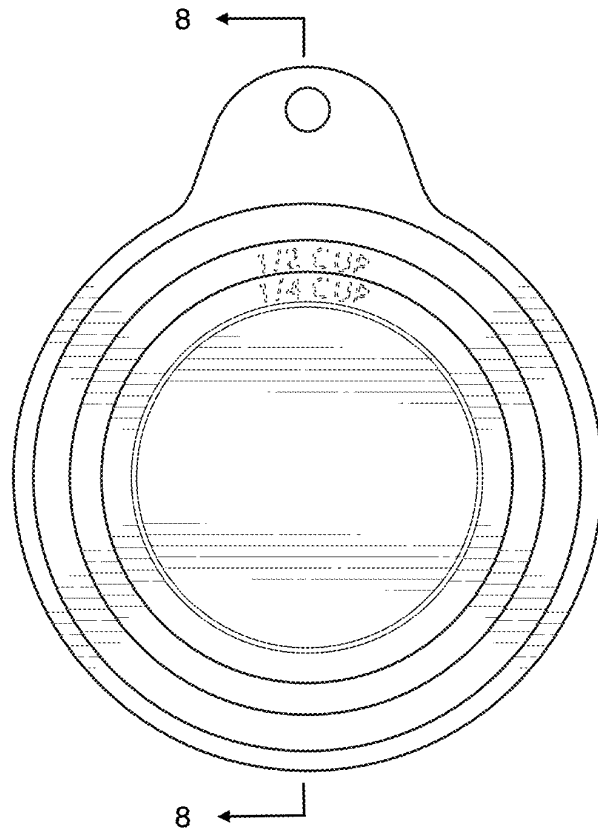


FIG. 2

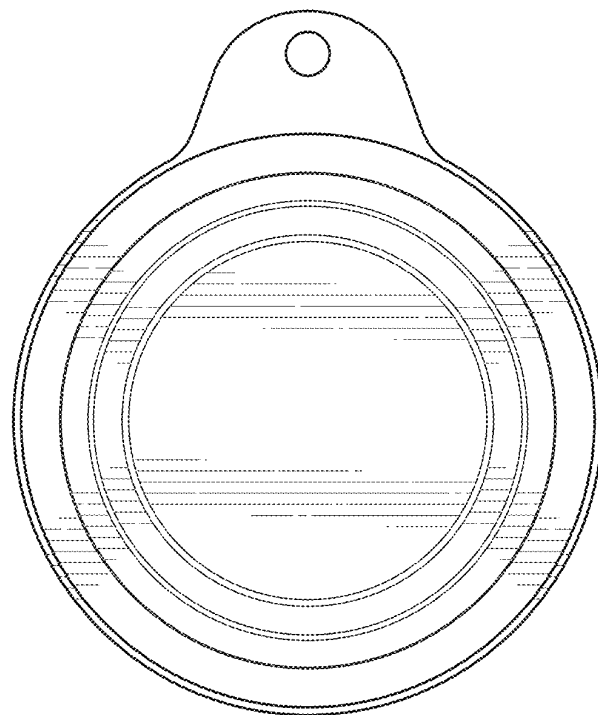


FIG. 3

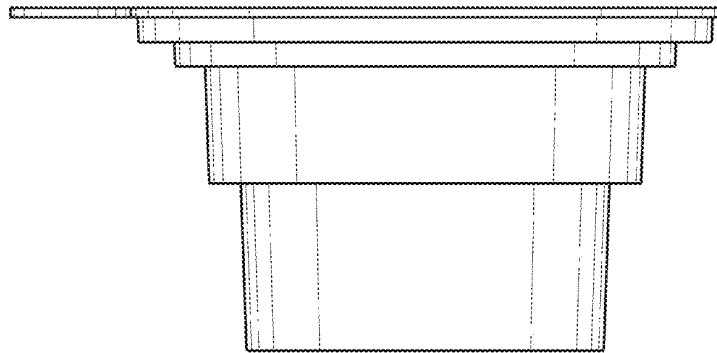


FIG. 4

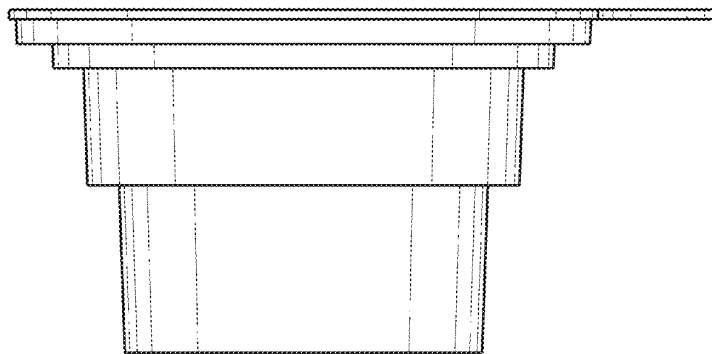


FIG. 5

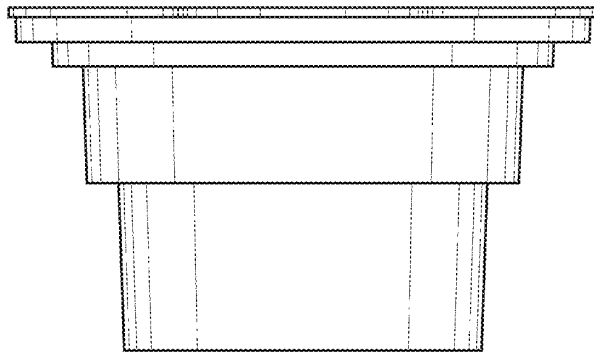


FIG. 6

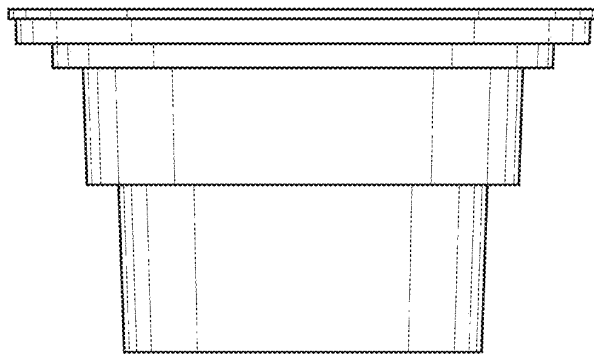


FIG. 7

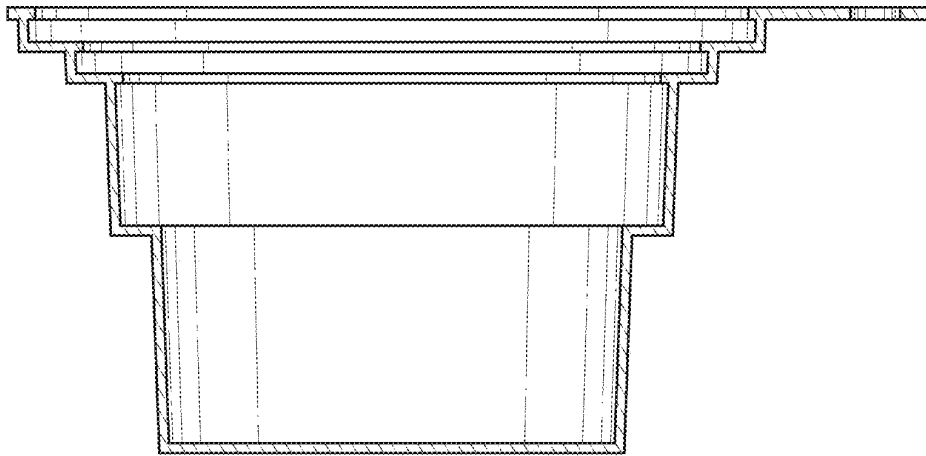


FIG. 8

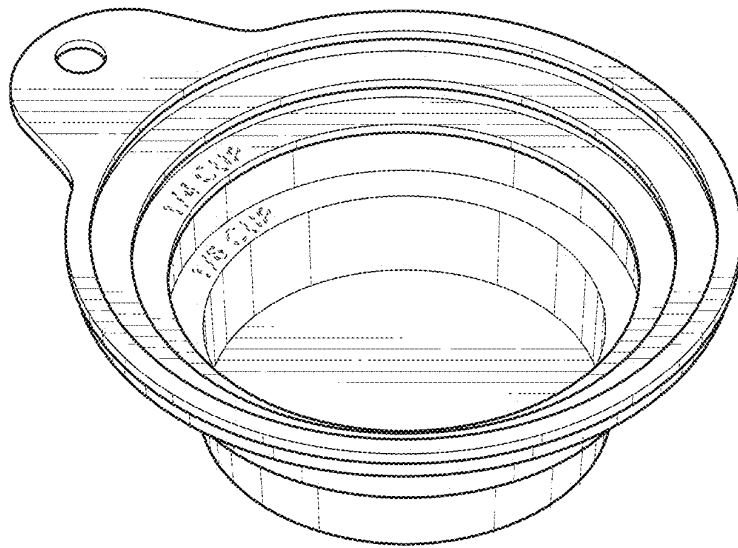


FIG. 9

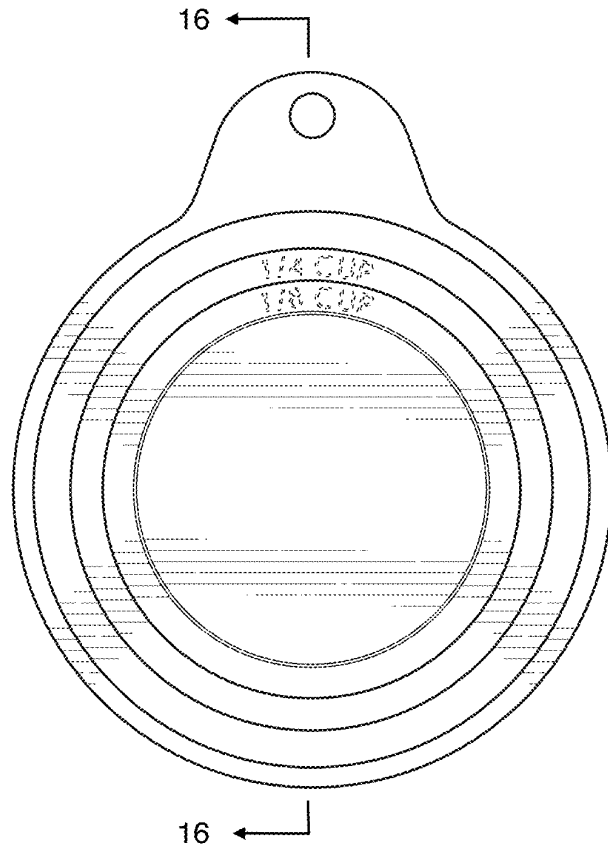


FIG. 10

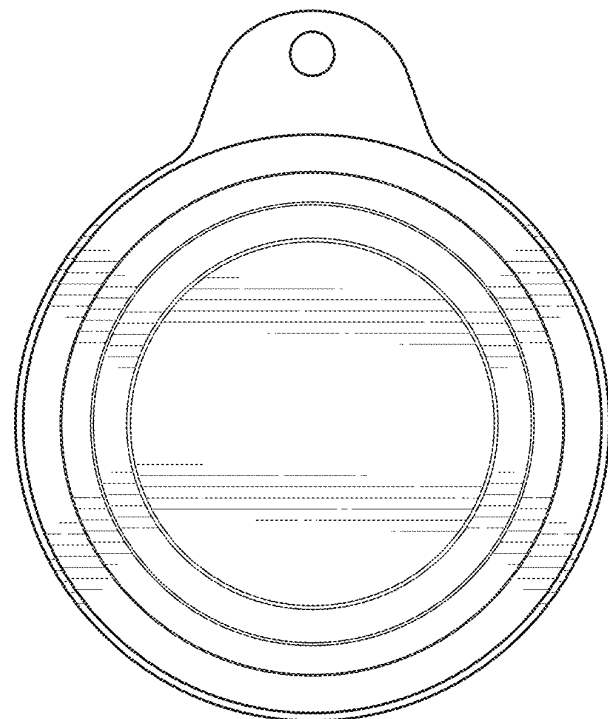


FIG. 11

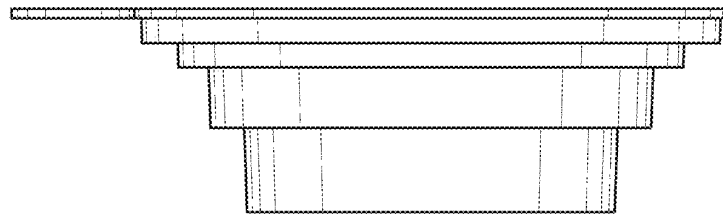


FIG. 12

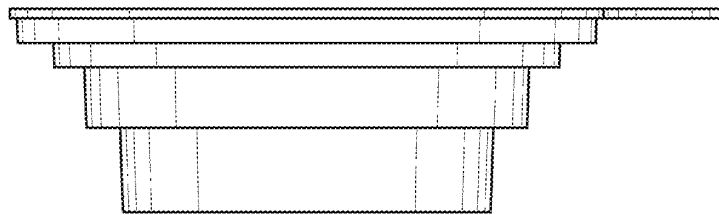


FIG. 13

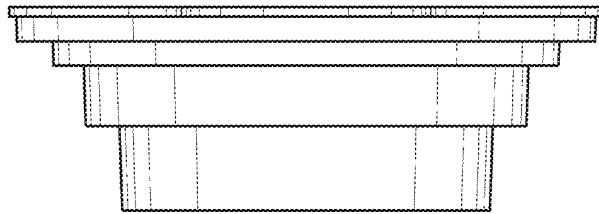


FIG. 14

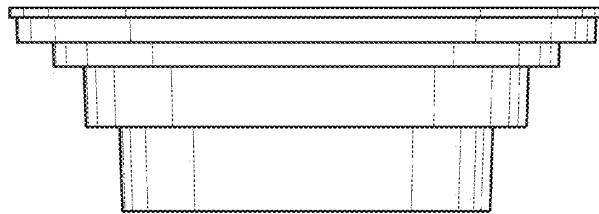


FIG. 15

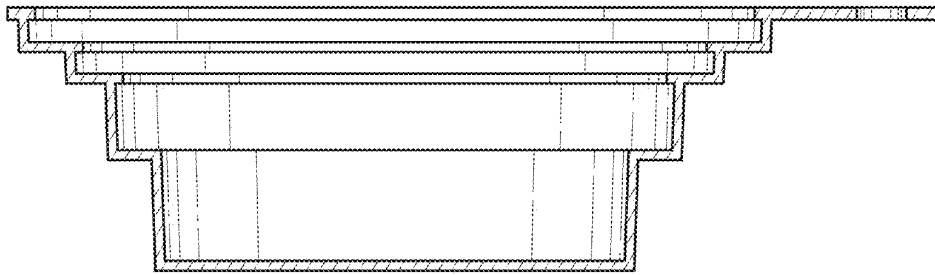


FIG. 16