



US00D977930S

(12) **United States Design Patent**
Dreisbach

(10) **Patent No.:** **US D977,930 S**

(45) **Date of Patent:** **** Feb. 14, 2023**

(54) **TILE FILLER TROWELING DEVICE**

(71) Applicant: **Douglas S. Dreisbach**, Sacramento, CA (US)

(72) Inventor: **Douglas S. Dreisbach**, Sacramento, CA (US)

(**) Term: **15 Years**

(21) Appl. No.: **29/783,272**

(22) Filed: **May 12, 2021**

(51) **LOC (14) Cl.** **08-05**

(52) **U.S. Cl.**
USPC **D8/45**

(58) **Field of Classification Search**
USPC D8/14, 45, 51, 71
CPC E04F 21/023; E04F 21/163; E04F 21/20;
E04F 21/162; B05C 5/004; B28B 11/04
See application file for complete search history.

(56) **References Cited**

U.S. PATENT DOCUMENTS

2,946,110	A *	7/1960	Lang	B28B 11/041
					425/117
3,138,843	A *	6/1964	Gory	B28B 11/04
					118/415
3,942,923	A *	3/1976	Binion	B28B 1/084
					425/219
4,967,689	A *	11/1990	Wittmann	E04F 21/023
					118/428
6,308,370	B1 *	10/2001	Southby	E04F 21/20
					15/236.08
6,412,185	B1 *	7/2002	Mills	E04F 21/20
					52/749.11
7,254,920	B2 *	8/2007	Steele	E04F 21/185
					33/371
9,234,359	B2 *	1/2016	Bouelle	E04F 21/163
9,957,726	B2 *	5/2018	Milane	E04F 21/08
10,232,403	B1 *	3/2019	Daranuta	E04F 21/163
10,370,862	B1 *	8/2019	Humann	E04F 21/023

2004/0137152	A1 *	7/2004	Parriott, Jr.	B05C 13/00
					427/351
2007/0266937	A1 *	11/2007	Fascianella	E04F 21/20
					118/400
2010/0212256	A1 *	8/2010	Llorens Selles	E04F 21/162
					52/749.11
2013/0000246	A1 *	1/2013	Bouelle	E04F 21/162
					52/749.1

(Continued)

Primary Examiner — Philip S Hyder

(74) *Attorney, Agent, or Firm* — Craig A. Simmerman

(57) **CLAIM**

I claim the ornamental design for a tile filler troweling device, as shown and described.

DESCRIPTION

FIG. 1 is a top perspective view of a tile filler troweling device, in the unfolded position, showing my new design; FIG. 2 a top perspective view of a tile filler troweling device, in the unfolded position, wherein the side walls are in an alternate position, and the broken lines depict environmental matter;

FIG. 3 is a top plan view thereof;

FIG. 4 is a bottom plan view thereof;

FIG. 5 is a right side elevation view thereof, the left side elevation view being the mirror image thereof;

FIG. 6 is a front elevation view thereof;

FIG. 7 is a rear elevation view thereof;

FIG. 8 is a top perspective view of a tile filler troweling device, in the folded position, showing my new design;

FIG. 9 is a top plan view thereof;

FIG. 10 is a bottom plan view thereof;

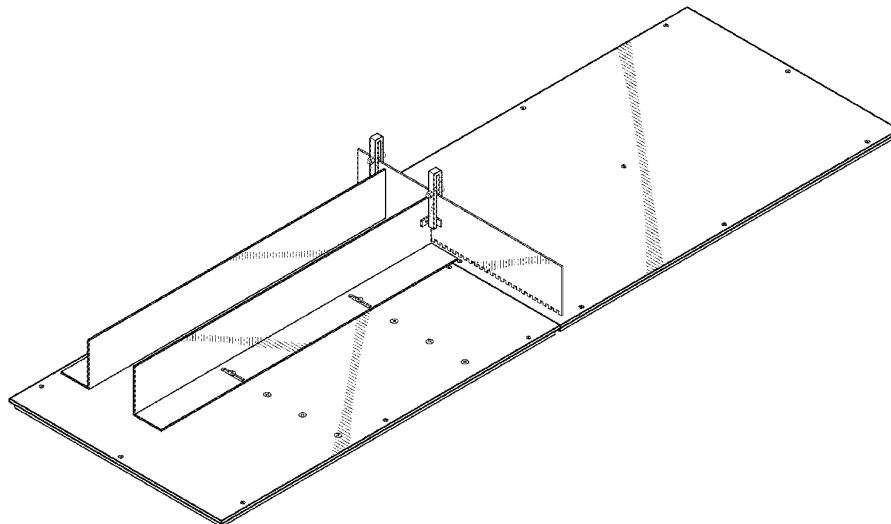
FIG. 11 is a right side elevation view thereof, the left side elevation view being the mirror image thereof;

FIG. 12 is a front elevation view thereof; and,

FIG. 13 is a rear elevation view thereof.

The broken lines depict unclaimed environmental subject matter that forms no part of the claimed design.

1 Claim, 11 Drawing Sheets



(56)

References Cited

U.S. PATENT DOCUMENTS

2014/0331432 A1* 11/2014 Ljungstrom B05C 17/10
15/245.1
2019/0242142 A1* 8/2019 Kuhn B05C 5/0216

* cited by examiner

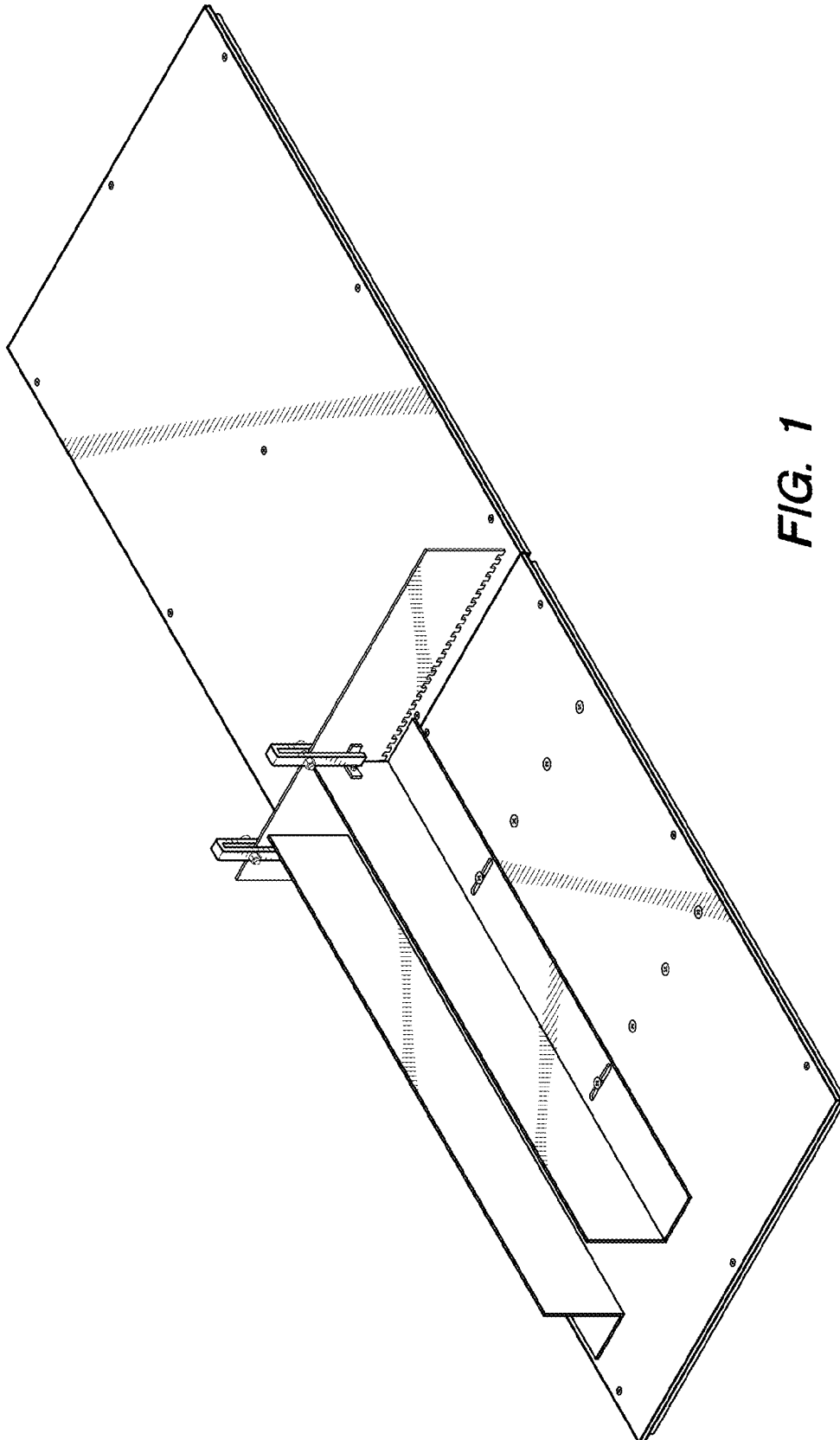


FIG. 1

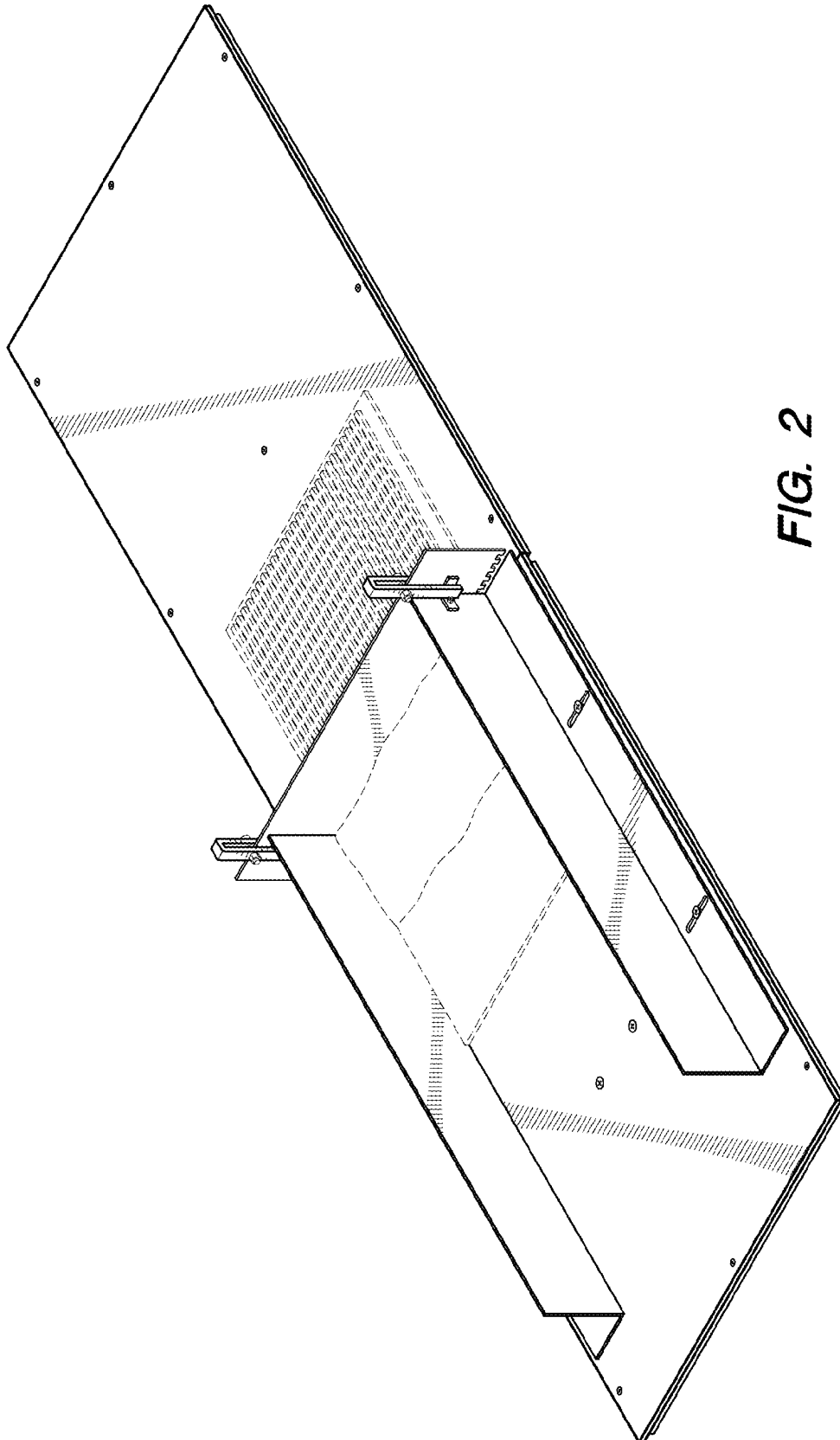


FIG. 2

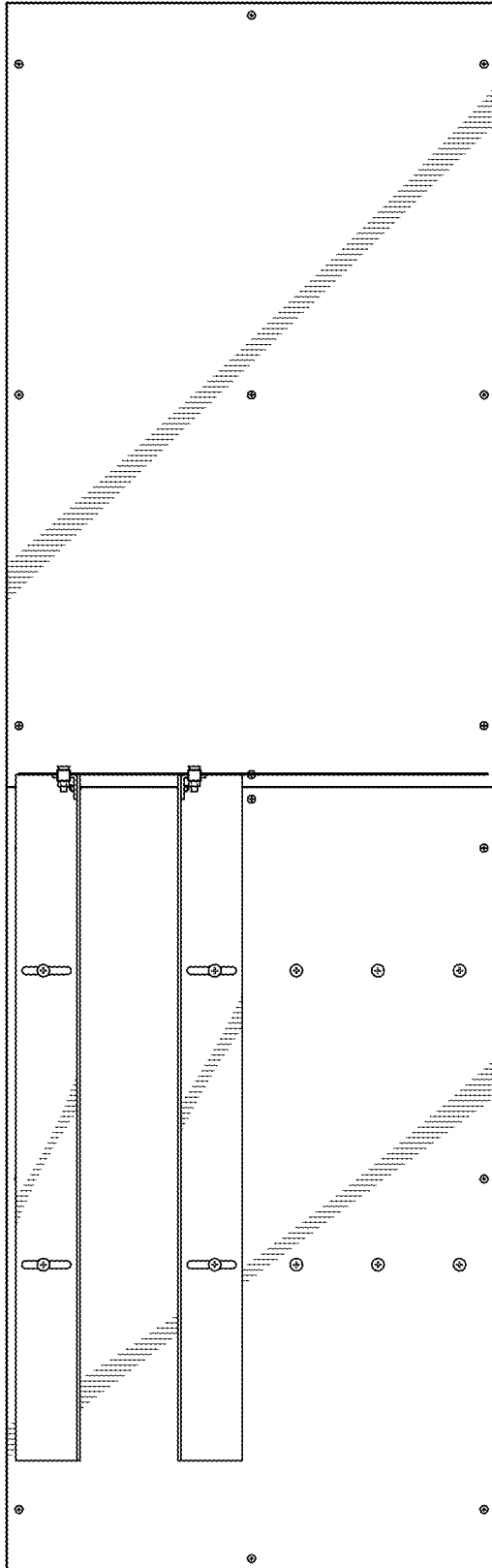


FIG. 3

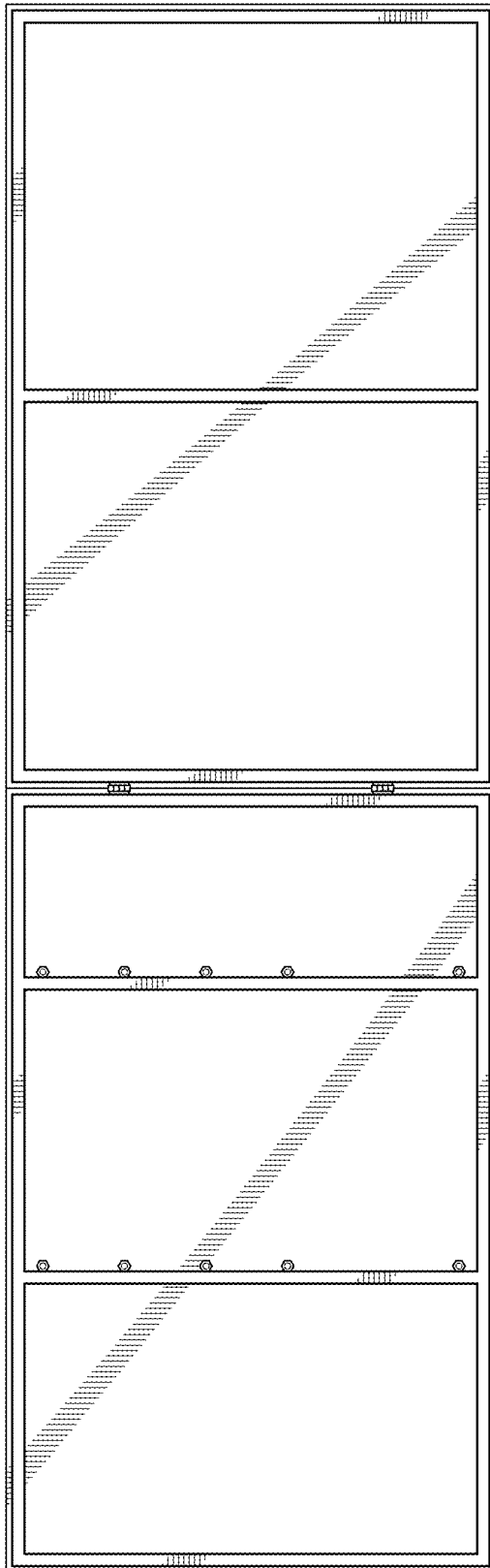


FIG. 4

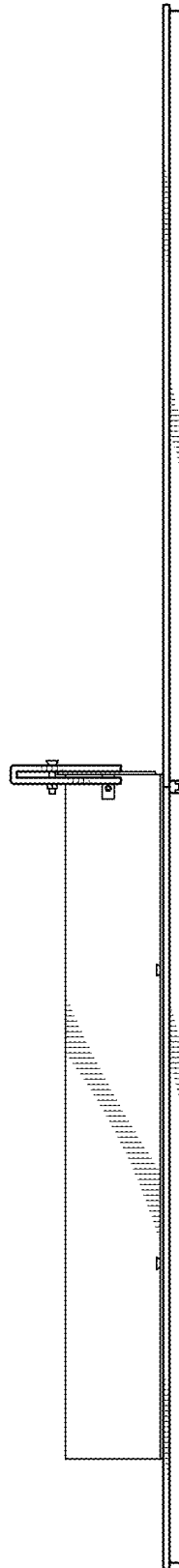


FIG. 5

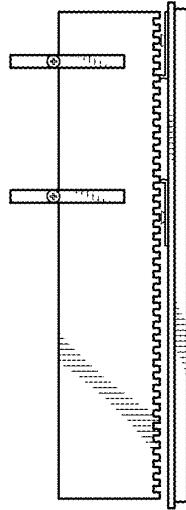


FIG. 7

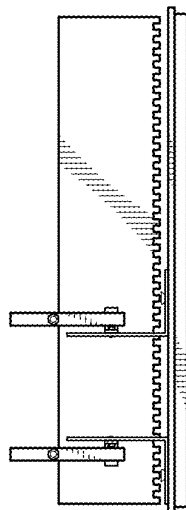


FIG. 6

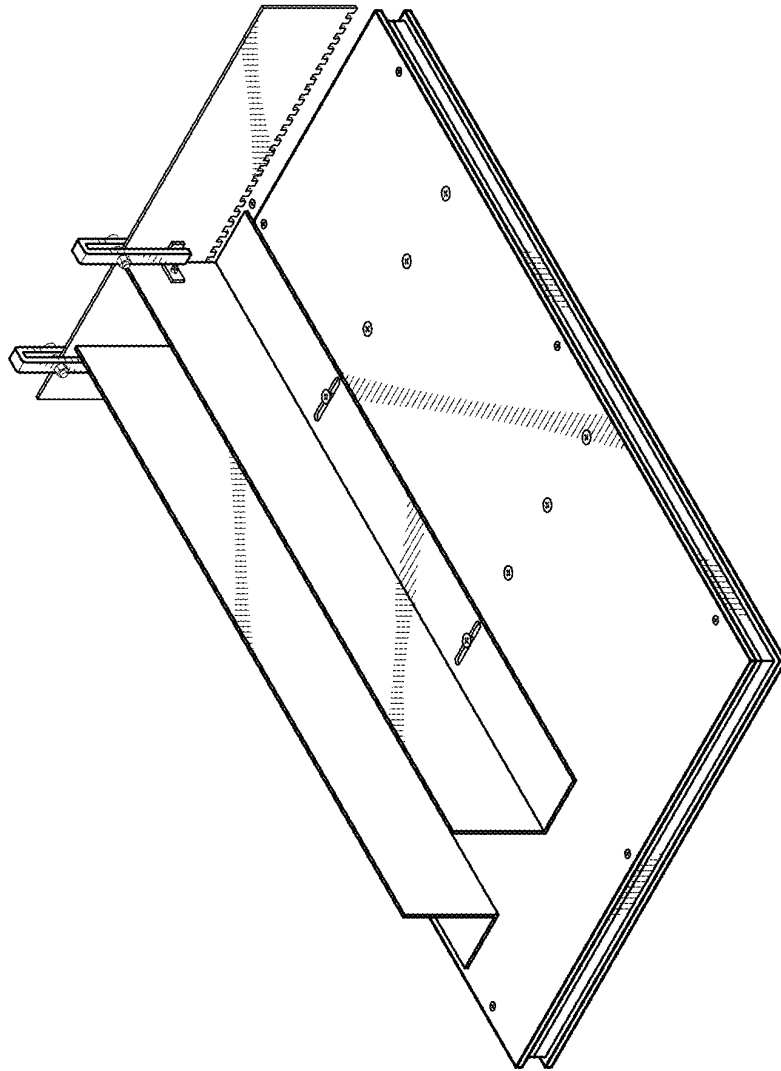


FIG. 8

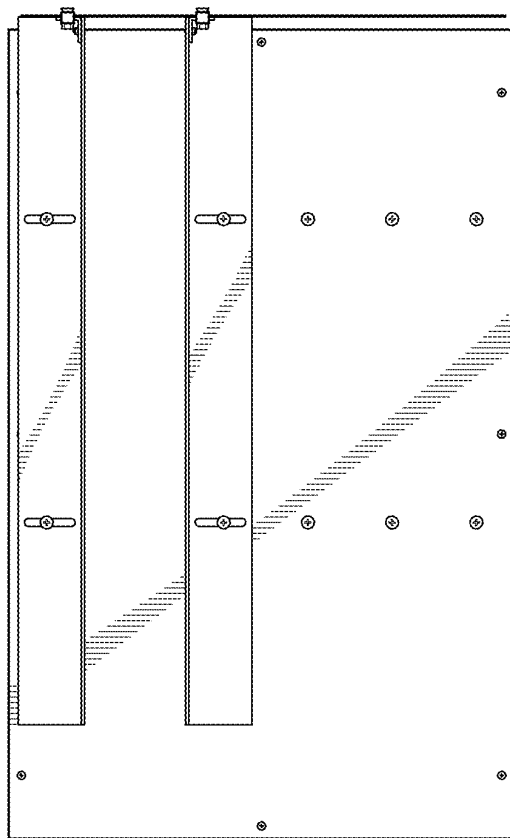


FIG. 9

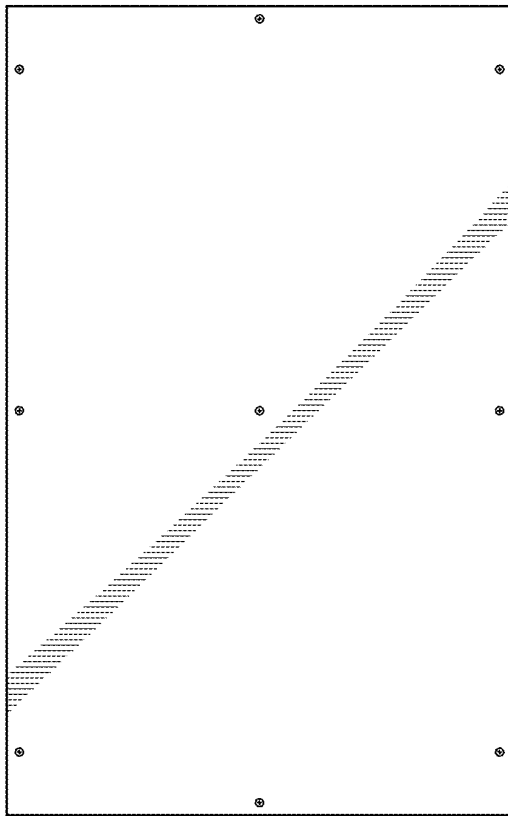


FIG. 10

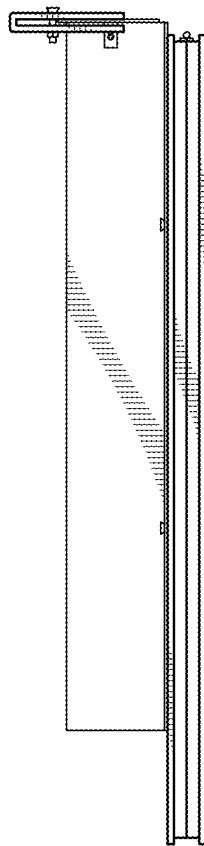


FIG. 11

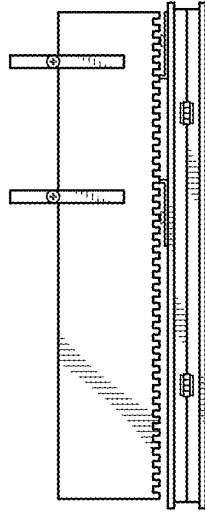


FIG. 12

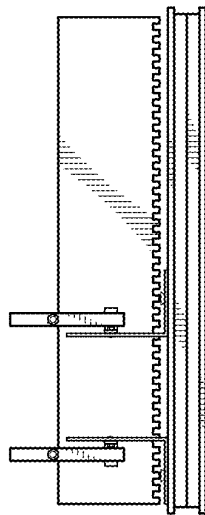


FIG. 13