



US00D974049S

(12) **United States Design Patent**
Stovall

(10) **Patent No.:** **US D974,049 S**
(45) **Date of Patent:** **** Jan. 3, 2023**

- (54) **HAIR BRUSH**
- (71) Applicant: **Jarrod Stovall**, Vacaville, CA (US)
- (72) Inventor: **Jarrod Stovall**, Vacaville, CA (US)
- (**) Term: **15 Years**
- (21) Appl. No.: **29/770,948**

D903,331 S * 12/2020 Watson D4/134
 D961,272 S * 8/2022 Watson A46B 9/023
 D4/127
 2015/0189979 A1* 7/2015 Stanton A46B 5/021
 15/106
 2018/0132452 A1* 5/2018 Dionne A46B 9/023
 2018/0317641 A1* 11/2018 Supple A46B 9/021
 D4/134

- (22) Filed: **Feb. 18, 2021**
- (51) **LOC (14) Cl.** **04-99**
- (52) **U.S. Cl.**

FOREIGN PATENT DOCUMENTS

CN 303781781 * 8/2016

OTHER PUBLICATIONS

Jeezy vs Chris Bossio Feb. 21, posted Feb. 1, 2021 [online], [retrieved Aug. 30, 2022]. Retrieved from internet, <https://www.instagram.com/tv/CKxpV11gMZo/?igshid=YmMyMTA2M2Y%3D> (Year: 2021).*

(Continued)

Primary Examiner — Alison M Ofstun
Assistant Examiner — Evin Franklin George Ershock
(74) *Attorney, Agent, or Firm* — Craig A. Simmermon

- (58) **Field of Classification Search**
 - USPC **D4/132**
 - USPC D4/100, 111, 124, 125, 127, 128, 129, D4/130, 132, 134, 135, 199; D28/10, 22, D28/24, 25, 30, 31, 35, 38, 79, 99; D30/158, 159
 - CPC . A46B 2200/10; A46B 2200/104; A46B 1/00; A46B 3/00; A46B 3/005; A46B 13/00; A46B 13/008; A46B 5/00; A46B 5/02; A46B 5/021; A46B 15/00; A46B 2200/102
- See application file for complete search history.

CLAIM

I claim the ornamental design for a hair brush, as shown and described.

(56) **References Cited**

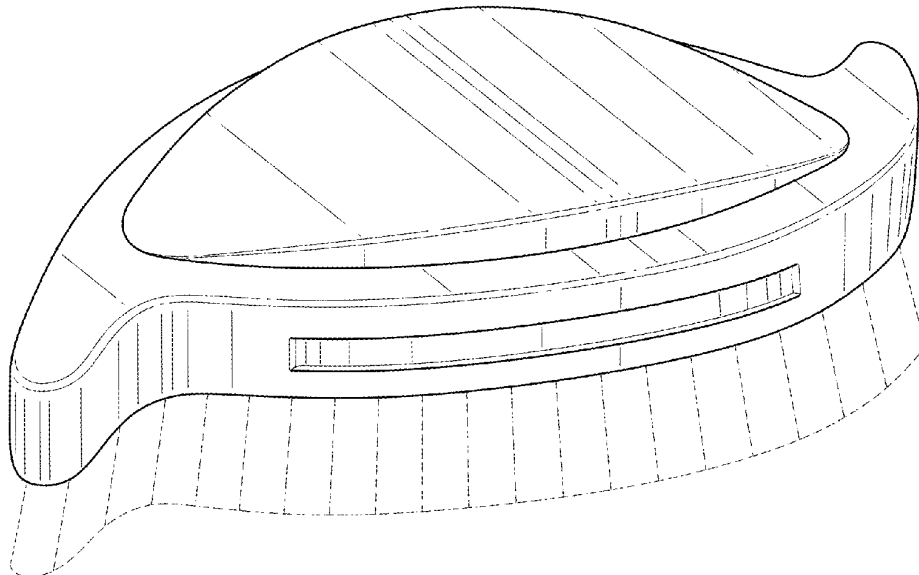
DESCRIPTION

U.S. PATENT DOCUMENTS

FIG. 1 is a top perspective view of a hair brush showing my new design;
FIG. 2 is a front elevation view and a rear elevation view thereof;
FIG. 3 is a right side elevation and a left side elevation view thereof;
FIG. 4 is a top plan view thereof; and,
FIG. 5 is a bottom plan view thereof.
The broken lines in the drawings illustrate portions of the article and form no part of the claimed design.

- 2,674,758 A * 4/1954 Fay A46B 15/00
15/160
- D284,121 S * 6/1986 Kelly A46B 15/00
D30/158
- D438,710 S * 3/2001 Chen D4/130
- D474,610 S * 5/2003 Park A46B 5/021
D4/130
- D697,314 S * 1/2014 Tronconi D4/130
- D787,196 S * 5/2017 Treeby D4/130
- D814,804 S * 4/2018 Roth D4/134
- D830,704 S * 10/2018 Treeby D4/130

1 Claim, 5 Drawing Sheets



(56)

References Cited

OTHER PUBLICATIONS

360Jeezy V1 Curve Brush dropping Tomorrow @7am Dec. 16, posted Dec. 15, 2021 [online], [retrieved Aug. 30, 2022]. Retrieved from internet, https://twitter.com/360_jeezy/status/1471227465758437377 (Year: 2021).*

V1 Wave Brush, publishing date unknown [online], [retrieved Aug. 30, 2022]. Retrieved from internet, <https://www.360jeezy.com/products/new-brush> (Year: 2022).*

* cited by examiner

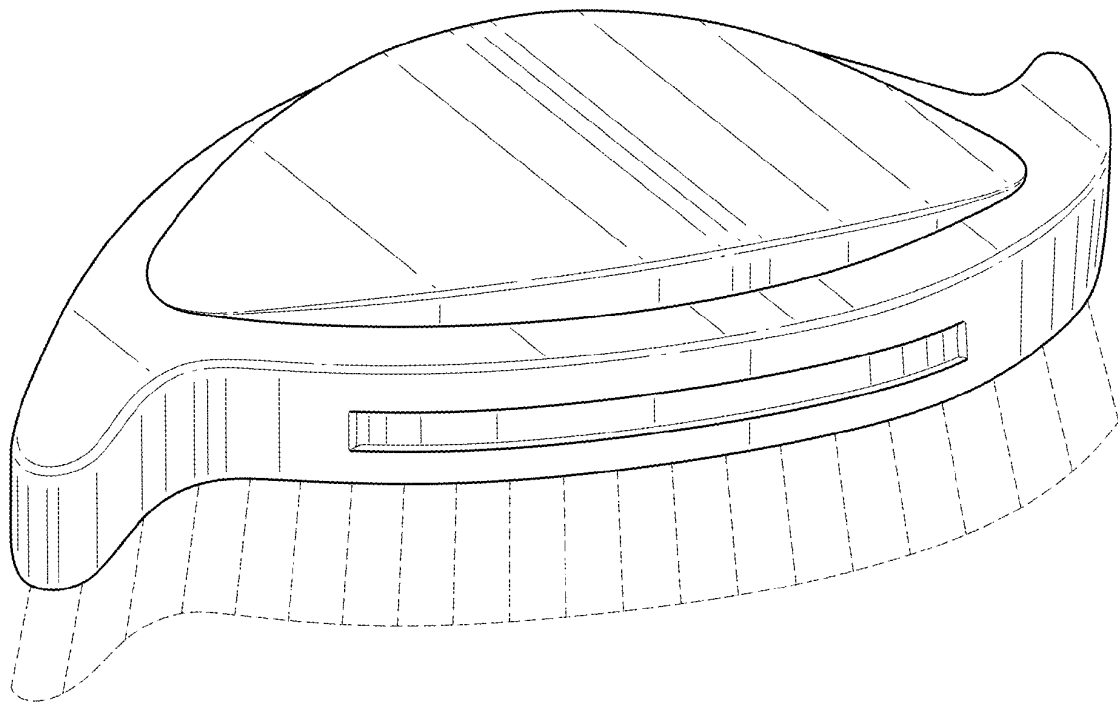


FIG. 1

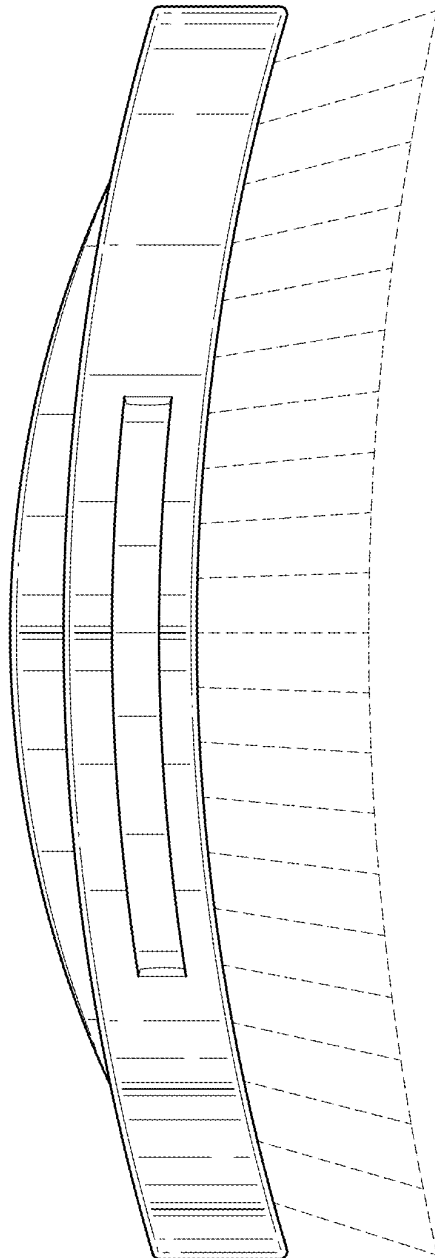


FIG. 2

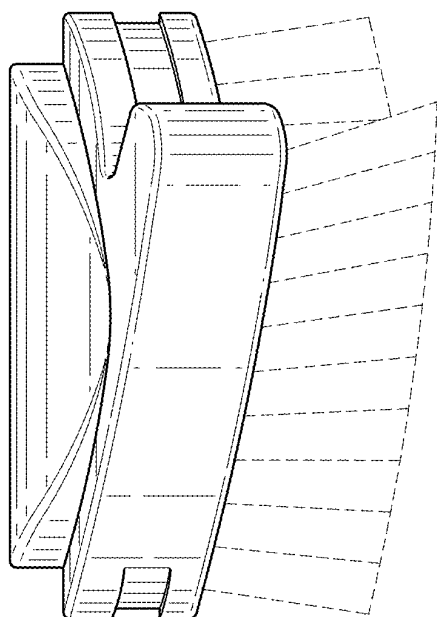


FIG. 3

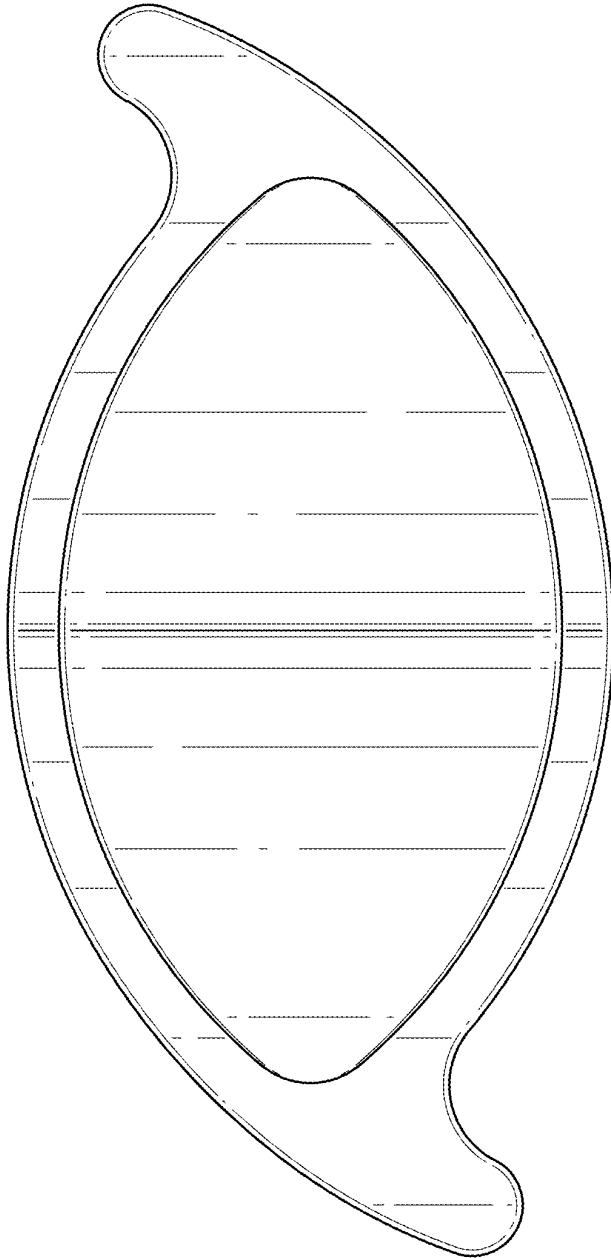


FIG. 4

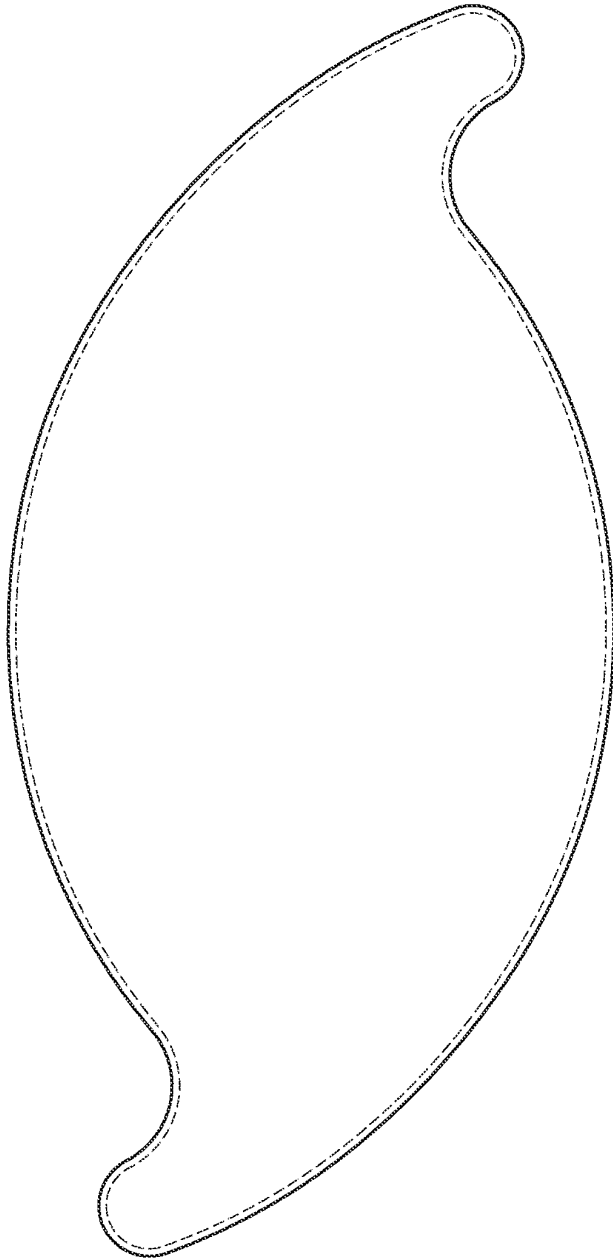


FIG. 5