



US00D909872S

(12) **United States Design Patent**
Smith et al.

(10) **Patent No.:** **US D909,872 S**

(45) **Date of Patent:** **** Feb. 9, 2021**

(54) **INSERT FOR CONTAINER**

(71) Applicants: **William Thomas Smith**, Fair Oaks, CA (US); **Cheryl Ann Smith**, Fair Oaks, CA (US)

(72) Inventors: **William Thomas Smith**, Fair Oaks, CA (US); **Cheryl Ann Smith**, Fair Oaks, CA (US)

(73) Assignee: **ALL PLASTIC, INC.**, Gold River, CA (US)

(**) Term: **15 Years**

(21) Appl. No.: **29/669,690**

(22) Filed: **Nov. 9, 2018**

(51) **LOC (13) Cl.** **09-07**

(52) **U.S. Cl.**
USPC **D9/456**

(58) **Field of Classification Search**

USPC D3/202, 203.1, 203.2, 318; D7/300, D7/300.1, 316, 317, 323, 354, 387, 391, D7/392, 392.1, 393, 396.1, 396.2, 396.4, D7/397, 398, 503, 509, 510, 511, 523, D7/526-531, 538, 566, 568, 600.1, 602, D7/603, 614, 619.1, 629, 704, 900; D9/434, 435, 440, 447, 452, 453, 499, D9/516, 529, 686, 723, 433, 445, 454, D9/456; D24/121, 127, 199, 224; D23/249, 259, 260, 261; D8/14, 14.1, D8/45, 300, 307, 343, 354, 400, 402; D15/138, 143; D34/7, 10, 11; D28/76, D28/84, 85, 91.1; D19/192, 194
CPC B65D 2517/5091; B65D 41/04; B65D 23/12; B65D 1/0246; B65D 47/265; B65D 47/065; B65D 51/24; B65D 51/224; B65D 51/245; B65D 2101/0015; B65D 2251/0093; B65D 85/72; B65D 51/18; B65D 51/28; B65D 51/242; B65D 51/2814; B65D 51/2821; B65D 21/0228; B65D 41/3447; B65D 1/02; B65D 50/041; B65D 2215/02; A61L 9/12; A47G 19/2205; A47G

(Continued)

(56) **References Cited**

U.S. PATENT DOCUMENTS

386,604 A 7/1888 Place
D91,437 S * 1/1934 Nielsen D9/500
(Continued)

OTHER PUBLICATIONS

Locking Ring Canna-Pod: Announced Nov. 19, 2019 [online]. Site Visited [Apr. 24, 2020]. Available from Internet URL: https://www.budbardisplays.com/product/pods/locking-ring-canna-pod.*

(Continued)

Primary Examiner — Catherine S Posthauer

(74) *Attorney, Agent, or Firm* — Ballard Spahr LLP

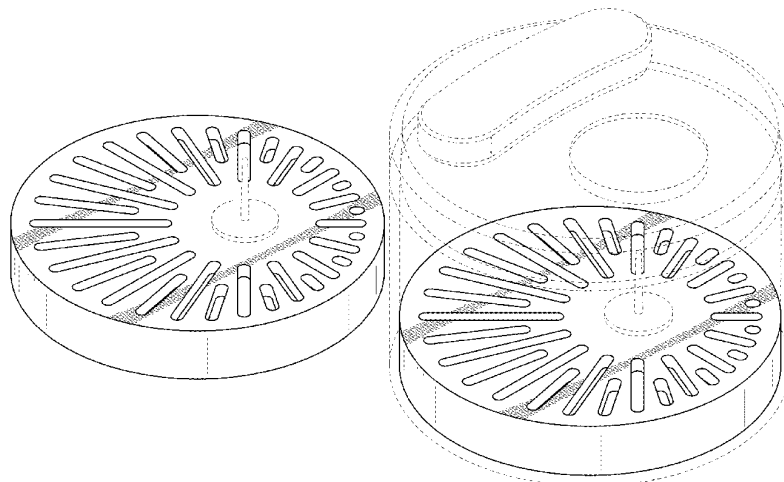
(57) **CLAIM**

The ornamental design for an insert for container, as shown and described.

DESCRIPTION

FIG. 1 is a top perspective view of an insert for container, showing our new design;
FIG. 2 is a bottom perspective view thereof;
FIG. 3 is a left side view thereof;
FIG. 4 is a right side view thereof;
FIG. 5 is a front view thereof;
FIG. 6 is a rear view thereof;
FIG. 7 is a top plan view thereof;
FIG. 8 is a bottom plan view thereof; and,
FIG. 9 is a perspective view thereof, shown in a position of use with an exemplary container.
The broken lines are shown for the purpose of illustrating both parts of the insert as well as environmental subject matter of an exemplary container. None of the broken lines form part of the claimed design.

1 Claim, 6 Drawing Sheets



(58) **Field of Classification Search**

CPC 19/2222; A47G 19/2266; A47G 19/2272;
 A47G 19/2294; A47G 19/22; A47J 43/27;
 B05B 7/2437; B05C 17/00576; E03F
 5/02; A61M 35/003; A01M 1/02; A01M
 1/04; A01M 1/106

See application file for complete search history.

(56) **References Cited**

U.S. PATENT DOCUMENTS

D128,058 S * 7/1941 Shultz D9/452
 2,724,213 A 11/1955 Weil
 3,020,659 A * 2/1962 Paulini B65D 47/265
 40/307
 D196,082 S * 8/1963 Stull D9/453
 3,261,504 A * 7/1966 Sabaka B65D 47/265
 222/83
 D209,788 S * 1/1968 Cheladze D9/452
 3,451,328 A 6/1969 Swett
 D259,403 S * 6/1981 Frazier, Jr. 220/254.3
 4,402,433 A * 9/1983 Webinger B65D 47/265
 222/485
 4,549,693 A * 10/1985 Barlics A61L 9/12
 206/0.5
 4,951,914 A * 8/1990 Meyers E03F 5/02
 220/3.4
 5,076,425 A * 12/1991 Plone A47G 21/004
 206/220
 D341,779 S * 11/1993 Lewis D9/435
 D362,389 S * 9/1995 Frye D9/452
 5,850,913 A 12/1998 Fantone
 D445,029 S * 7/2001 Niknafs D9/456
 D461,233 S * 8/2002 Whalen D23/261
 6,672,457 B2 1/2004 Aylesworth
 D502,052 S * 2/2005 Meade D7/388
 D512,872 S * 12/2005 McMahon, III D7/392
 D520,596 S * 5/2006 Johnson D23/209
 D527,633 S * 9/2006 Stull D9/454
 D573,466 S * 7/2008 White D9/456
 D585,968 S * 2/2009 Elkins D23/259
 D654,152 S * 2/2012 Schulz D23/260

D689,326 S * 9/2013 Ortegon D7/354
 D694,110 S * 11/2013 Tanner D9/452
 D710,198 S * 8/2014 Blowfield D9/445
 D718,844 S * 12/2014 Johansen D23/261
 D751,394 S * 3/2016 Chartier D9/440
 D751,902 S * 3/2016 Sturk D9/447
 D753,488 S * 4/2016 Escobar D9/445
 D772,653 S * 11/2016 Miller D7/523
 D784,076 S * 4/2017 Constantieux D7/402
 D790,041 S * 6/2017 Jang D23/259
 D799,935 S * 10/2017 Rashidi Doust D8/354
 D807,175 S * 1/2018 Moody D9/452
 2005/0145627 A1 * 7/2005 Stull B65D 41/0414
 220/254.3
 2008/0083789 A1 * 4/2008 Brugner B05C 17/00576
 222/386
 2010/0237094 A1 * 9/2010 Benjamin, II B05C 17/00576
 222/1
 2015/0321142 A1 * 11/2015 Lebon B01D 53/0415
 D53/415
 2017/0173540 A1 * 6/2017 Roaks B01F 3/12
 2019/0075973 A1 * 3/2019 Charleson A47J 43/27

OTHER PUBLICATIONS

Magazine AD for Bud Bar Displays™. Marijuana Business Magazine, vol. 2, Issue 4, Jul. 1, 2015. 2 pages.
 Magazine AD for Bud Bar Displays™. Marijuana Venture Magazine, Jun. 1, 2017. 3 pages.
 Magazine AD for Bud Bar Displays™. Marijuana Venture Magazine, Nov. 1, 2017. 3 pages.
 Magazine AD for Bud Bar Displays™. Marijuana Venture Magazine, vol. 1, Issue 7, Sep. 1, 2014. 3 pages.
 Magazine AD for Bud Bar Displays™. The News Tribune, Aug. 15, 2014. 2 pages.
 Website photo. Canna pod. www.budbardisplays.com. Published Jul. 9, 2017.
 Website photo. Sample pod package. www.budbardisplays.com. Published Jul. 9, 2017.
 Website photo. Security seals for pods. www.budbardisplays.com. Published Jul. 9, 2017.

* cited by examiner

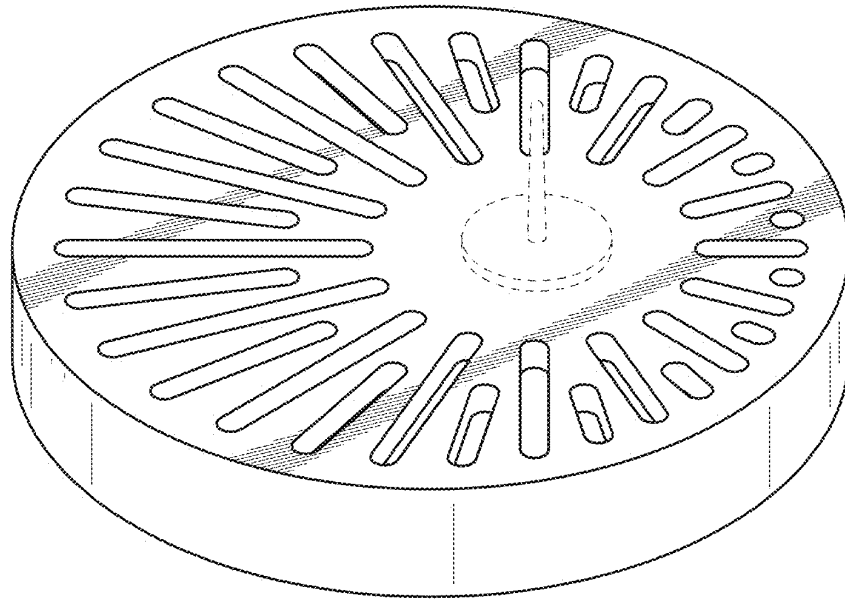


FIG. 1

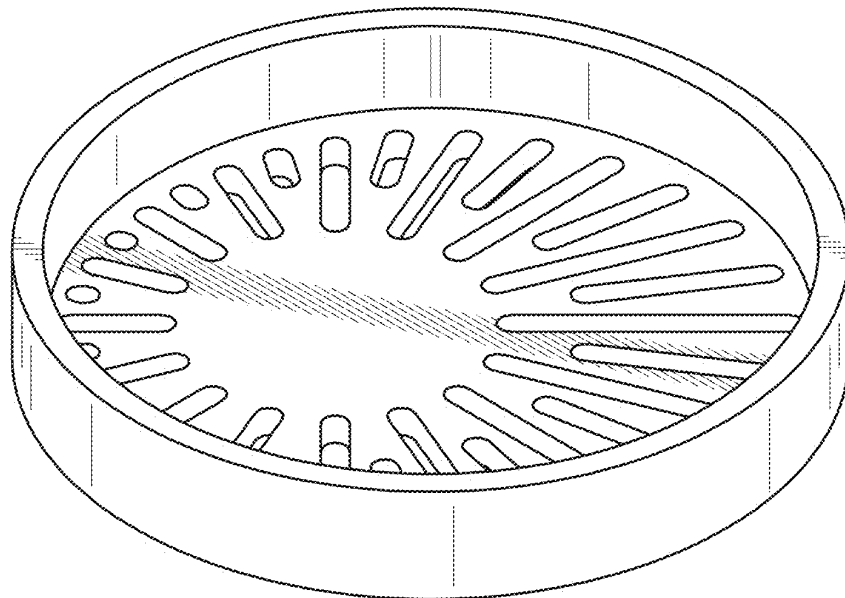


FIG. 2

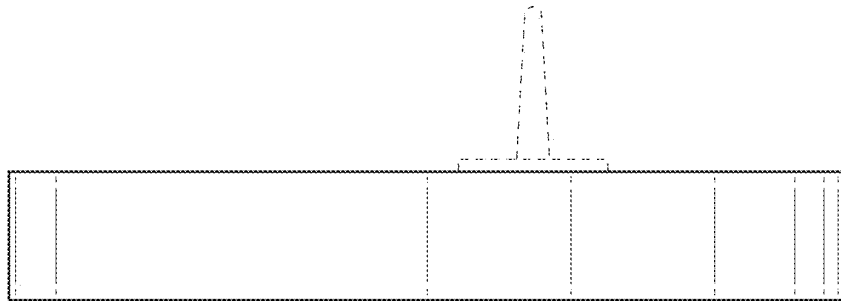


FIG. 3

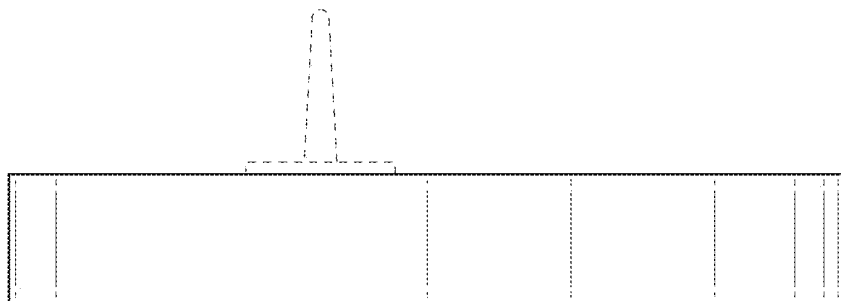


FIG. 4

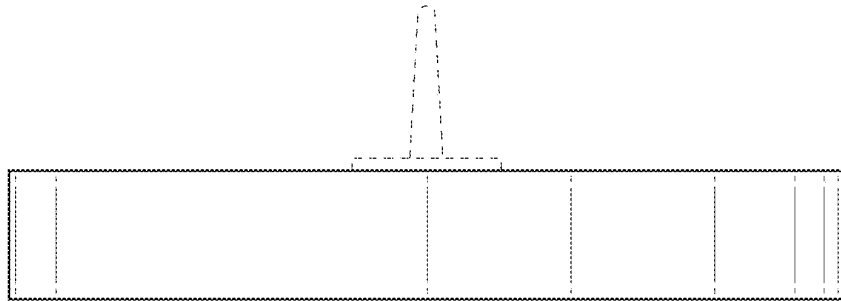


FIG. 5

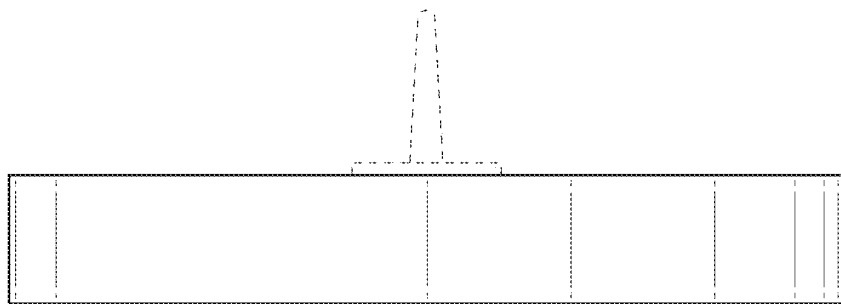


FIG. 6

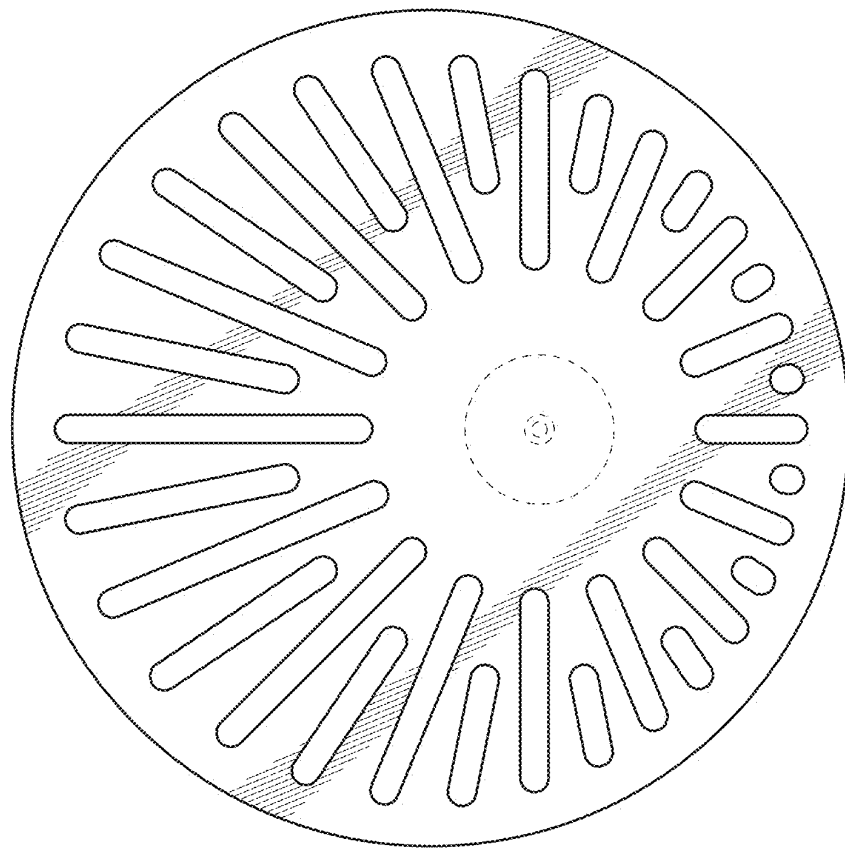


FIG. 7

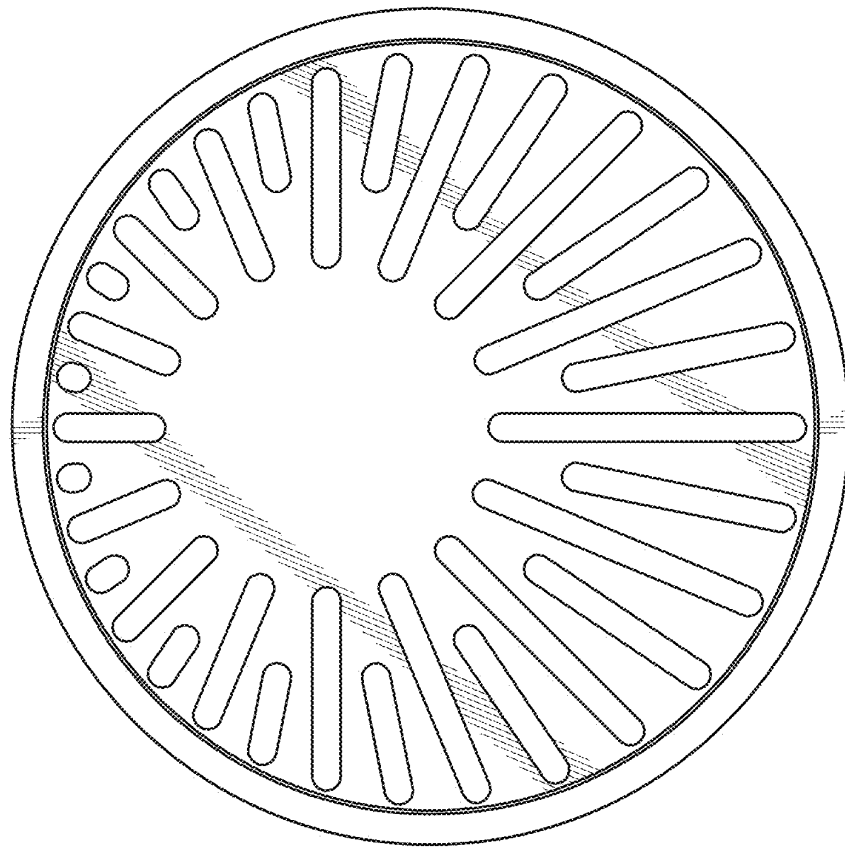


FIG. 8

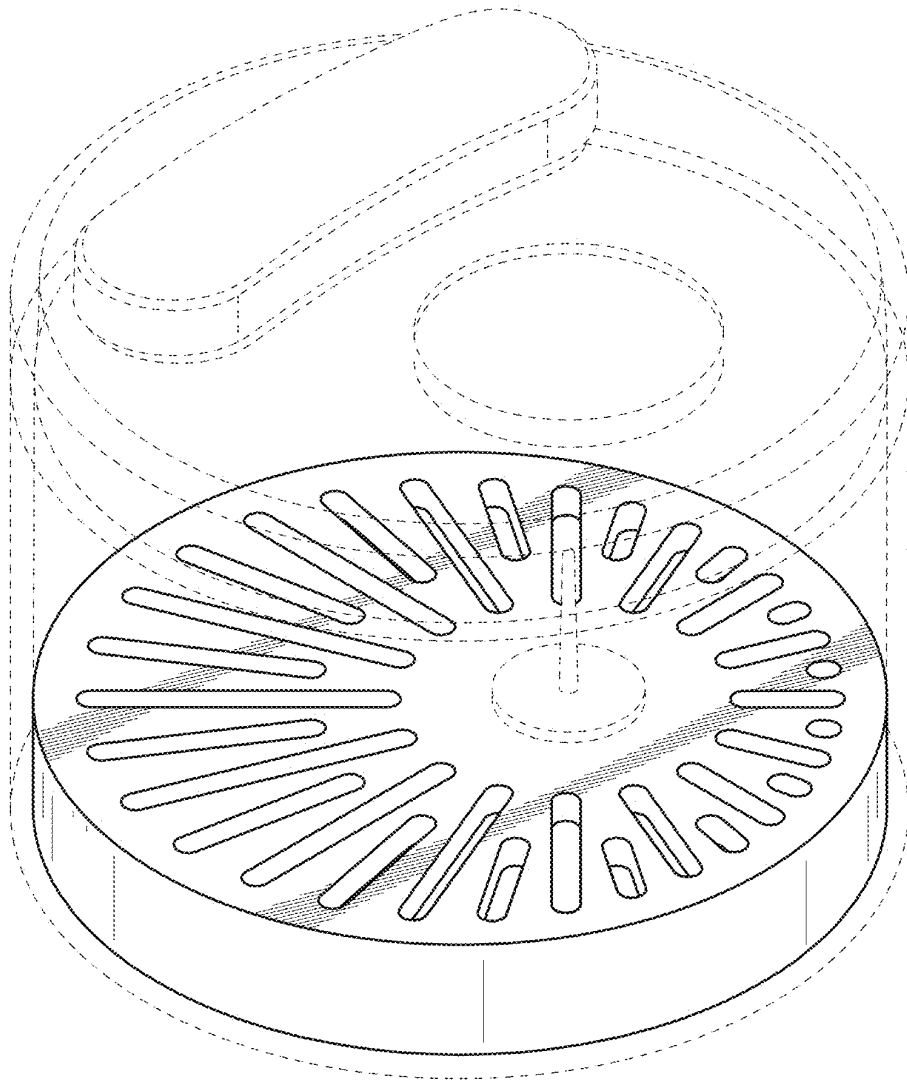


FIG. 9