



US00D908484S

(12) **United States Design Patent**
Smith et al.

(10) **Patent No.:** **US D908,484 S**
(45) **Date of Patent:** **** *Jan. 26, 2021**

(54) **CONTAINER**

(71) Applicant: **ALL PLASTIC, INC.**, Gold River, CA (US)

(72) Inventors: **William Thomas Smith**, Fair Oaks, CA (US); **Cheryl Ann Smith**, Fair Oaks, CA (US)

(73) Assignee: **ALL PLASTIC, INC.**, Gold River, CA (US)

(*) Notice: This patent is subject to a terminal disclaimer.

(**) Term: **15 Years**

(21) Appl. No.: **29/733,779**

(22) Filed: **May 6, 2020**

Related U.S. Application Data

(60) Division of application No. 29/665,425, filed on Oct. 3, 2018, now Pat. No. Des. 887,843, which is a continuation-in-part of application No. 29/663,940, filed on Sep. 20, 2018, now Pat. No. Des. 902,028, and a continuation-in-part of application No. 29/663,942, filed on Sep. 20, 2018, said application No. 29/663,940 is a continuation-in-part of application No. 29/659,740, filed on Aug. 10, 2018.

(51) **LOC (13) Cl.** **09-03**

(52) **U.S. Cl.**
USPC **D9/428; D6/677; D9/504**

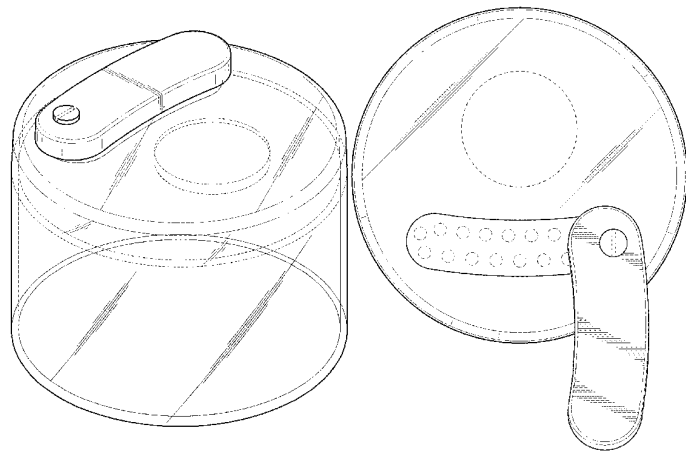
(58) **Field of Classification Search**
USPC D9/414, 418, 422, 423, 424, 428, 436, D9/454, 503, 504, 549, 721; D6/677
CPC B65D 25/54; B65D 25/106; B65D 25/22; B65D 51/24; B65D 51/245; A47F 3/145; A47F 7/286

See application file for complete search history.

(56) **References Cited**

U.S. PATENT DOCUMENTS

D128,936 S *	8/1941	Foley	D3/203.2
D181,321 S	10/1957	Stowell	
2,807,901 A	10/1957	Gilowitz	
3,247,995 A	4/1966	Jensen	
3,656,840 A	4/1972	Smith et al.	
4,106,660 A	8/1978	Boyle	
D255,546 S *	6/1980	Zaidmann	D6/661
4,230,231 A	10/1980	Burnett et al.	
4,284,200 A	8/1981	Bush et al.	
D272,595 S	2/1984	Chase et al.	
D292,887 S *	11/1987	Schouten	D9/424
D303,428 S	9/1989	Wada	
4,979,332 A	12/1990	Nagaya et al.	
D322,323 S	12/1991	Moir	
D340,187 S	10/1993	Forsyth	
5,321,908 A	6/1994	Ushimaru	
5,363,801 A	11/1994	Walters et al.	
5,927,007 A	7/1999	Oda et al.	
6,013,524 A	1/2000	Friars et al.	
D455,552 S *	4/2002	Charness	D3/302
6,571,972 B1	6/2003	Bouc et al.	
D476,572 S	7/2003	Merritt	
D480,307 S *	10/2003	Canamasas Puigbo	D28/76
6,761,287 B2	7/2004	Caruso	
D493,721 S	8/2004	Puigbo	
D493,722 S *	8/2004	Cooper	D9/504
D513,979 S	1/2006	Snedden et al.	
D517,405 S	3/2006	Snedden et al.	
D518,728 S	4/2006	Frantz	
D523,752 S	6/2006	Bried	
7,185,827 B2	3/2007	Quintard et al.	
D547,177 S	7/2007	Sherman et al.	
D588,450 S	3/2009	Snedden et al.	
D590,706 S	4/2009	Doliwa et al.	
D591,148 S	4/2009	Parikh et al.	
D600,111 S	9/2009	Gerulski et al.	
D621,603 S	8/2010	Traylor	
D630,949 S	1/2011	Lim	
D646,969 S	10/2011	Snedden et al.	
D647,530 S	10/2011	Busch	
8,079,478 B2	12/2011	Short et al.	
D655,604 S	3/2012	Molina	
D671,831 S *	12/2012	Moreau	D9/428
D685,227 S	7/2013	Boonprasop	
8,544,208 B2	10/2013	Huang	
D696,948 S *	1/2014	Kim	D9/454
D702,547 S	4/2014	Akana	
D703,055 S *	4/2014	Park	D9/454
8,925,725 B1	1/2015	Burnett	



D731,891	S	6/2015	Servaire	
D749,381	S	2/2016	Magri	
D765,389	S *	9/2016	Martin	D3/203.5
D769,079	S	10/2016	Kotani	
D775,959	S	1/2017	Owen	
D778,718	S	2/2017	Smith et al.	
9,630,747	B2	4/2017	Smith et al.	
D794,944	S *	8/2017	Martin	D3/203.5
D806,543	S	1/2018	Finkbohner	
D812,939	S	3/2018	Modlin	
D814,831	S *	4/2018	Modlin	D6/677
9,981,790	B1	5/2018	Ost	
D821,738	S	7/2018	Small	
D830,779	S	10/2018	Li et al.	
D842,494	S	3/2019	Lee	
D849,526	S	5/2019	Sanders et al.	
D855,449	S *	8/2019	Smith	D9/414
10,384,834	B2	8/2019	Smith et al.	
D859,894	S *	9/2019	Smith	D6/682.1
D861,475	S	10/2019	Giwani	
D862,226	S	10/2019	Horn	
D863,053	S *	10/2019	Smith	D9/414
D866,334	S	11/2019	Wieland	
D876,945	S *	3/2020	Smith	D9/414
2003/0234208	A1	12/2003	Huang	
2005/0092751	A1	5/2005	Alvares	
2007/0051826	A1	3/2007	Schofield	
2009/0057326	A1	3/2009	Opitz	
2009/0261100	A1	10/2009	McMinn	
2010/0300370	A1	12/2010	Hundt	
2013/0313217	A1	11/2013	Yamamoto et al.	
2016/0031605	A1	2/2016	Bean et al.	
2016/0318672	A1 *	11/2016	Smith	B65D 85/70
2017/0190482	A1	7/2017	Smith et al.	
2017/0275075	A1 *	9/2017	Bamonte	A47J 47/10
2018/0362215	A1 *	12/2018	Whetsel	B65D 25/54
2019/0009967	A1 *	1/2019	Lung	B65B 5/04
2019/0152648	A1 *	5/2019	Parve	B65D 21/08
2020/0130901	A1	4/2020	Karll	

FOREIGN PATENT DOCUMENTS

EP 1779885 5/2007

OTHER PUBLICATIONS

U.S. Appl. No. 29/659,740, filed Aug. 10, 2018, William Thomas Smith.
 U.S. Appl. No. 29/663,940, filed Sep. 20, 2018, William Thomas Smith.
 U.S. Appl. No. 29/663,942, filed Sep. 20, 2018, William Thomas Smith.
 U.S. Appl. No. 29/665,425, filed Oct. 3, 2018, William Thomas Smith.
 Facebook post showing sample containers, Oct. 22, 2016. <https://www.facebook.com/BudBarDisplays/photos/a.1250515684990657/1251439121564980/?type=3&theater> (1 page).
 Bud Pod and Bud pod security tether close up. Publication on Facebook Oct. 21, 2016. <https://www.facebook.com/BudBarDisplays/photos/a.1250515684990657/1250523611656531/?type=3&theater>.
 Budtender Demo-Bud Bar Displays. Publication on youtube dated May 7, 2017—<https://www.youtube.com/watch?v=JRd6B1ZXZIk>.
 Magazine AD for Bud Bar Displays™. 3rd Annual Marijuana Business Conference & Expo, Las Vegas, NV, Nov. 1, 2014. 3 pages.
 Magazine AD for Bud Bar Displays™. Canna Con, Denver, Colorado, Jun. 1, 2015. 3 pages.
 Magazine AD for Bud Bar Displays™. Marijuana Business Magazine, vol. 2, Issue 4, Jul. 1, 2015. 2 pages.
 Magazine AD for Bud Bar Displays™. Marijuana Venture Magazine, Jun. 1, 2017. 3 pages.
 Magazine AD for Bud Bar Displays™. Marijuana Venture Magazine, vol. 1, Issue 7, Sep. 1, 2014.3 pages.

Magazine AD for Bud Bar Displays™. MG-Magazine.com, Feb. 1, 2016.2 pages.
 Magazine AD for Bud Bar Displays™. The News Tribune, Aug. 15, 2014. 2 pages.
 Magazine AD showing Bud Bar Displays™. Dope Magazine, Issue #7, Dec. 1, 2015. 2 pages.
 Pictures of Bud Bar Displays™ booth at the KushCon Convention, which features the Epods. Denver, Colorado, Dec. 1, 2010. 3 pages.
 Website photo. 3 Tier Lighted Display. www.budbardisplays.com. Published Jul. 9, 2017.
 Website photo. Aroma epod. www.budbardisplays.com. Published Jan. 23, 2016.
 Website photo. BudBar. www.budbardisplays.com. Published Jan. 23, 2016.
 Website photo. Bud bar cabinet. www.budbardisplays.com. Published Jul. 9, 2017.
 Website photo. Bud Pod. www.budbardisplays.com. Published Jul. 9, 2017.
 Website photo. Bud-Pod. www.budbardisplays.com. Published Jan. 23, 2016.
 Website photo. Budtender1. www.budbardisplays.com. Published Jul. 9, 2017.
 Website photo. Canna pod. www.budbardisplays.com. Published Jul. 9, 2017.
 Website photo. cannabisaroma cannapod. www.budbardisplays.com. Published Jan. 23, 2016.
 Website photo. e-Pod. www.budbardisplays.com. Published Jul. 9, 2017.
 Website photo. Eco Pod Cabinet. www.budbardisplays.com. Published Jul. 9, 2017.
 Website photo. Epod. www.budbardisplays.com. Published Jan. 23, 2016.
 Website photo. Highlight display. www.budbardisplays.com. Published Jan. 23, 2016.
 Website photo. Sample pod package. www.budbardisplays.com. Published Jul. 9, 2017.
 Website photo. Security seals for pods. www.budbardisplays.com. Published Jul. 9, 2017.
 Website photo. Tether on Bud Pod3. www.budbardisplays.com. Published Jul. 9, 2017.
 Author Unknown; Bud Pod Seals Airtight for Freshness; Published Sep. 14, 2018; Retrieved Nov. 5, 2019 from www.udbardisplays.com/product/pods/bud-pod.

* cited by examiner

Primary Examiner — Lauren R Calve
 (74) Attorney, Agent, or Firm — Ballard Spahr LLP

(57) CLAIM

We claim the ornamental design for a container, as shown and described.

DESCRIPTION

FIG. 1 is a perspective view of a container in accordance with a first variant of said design, in which the plug is in a closed position;
 FIG. 2 is a top plan view of the container shown in FIG. 1;
 FIG. 3 is a bottom plan view of the container shown FIG. 1;
 FIG. 4 is a rear view of the container shown in FIG. 1;
 FIG. 5 is a right side view of the container shown in FIG. 1;
 FIG. 6 is a front view of the container shown in FIG. 1;
 FIG. 7 is a left side view of the container shown in FIG. 1;
 FIG. 8 is a perspective view of a container shown in FIG. 1, in which the plug is in an open position;
 FIG. 9 is a top plan view of the container shown in FIG. 8;
 FIG. 10 is a bottom plan view of the container shown in FIG. 8;
 FIG. 11 is a rear view of the container shown in FIG. 8;

FIG. 12 is a right side view of the container shown in FIG. 8;
FIG. 13 is a front view of the container shown in FIG. 8;
FIG. 14 is a left side view of the container shown in FIG. 8;
FIG. 15 is a perspective view of a container in accordance with a second variant of said design, in which the plug is in a closed position;
FIG. 16 is a top plan view of the container shown in FIG. 15;
FIG. 17 is a bottom plan view of the container shown FIG. 15;
FIG. 18 is a rear view of the container shown in FIG. 15;
FIG. 19 is a right side view of the container shown in FIG. 15;
FIG. 20 is a front view of the container shown in FIG. 15;
FIG. 21 is a left side view of the container shown in FIG. 15;
FIG. 22 is a perspective view of a container shown in FIG. 15, in which the plug is in an open position;
FIG. 23 is a top plan view of the container shown in FIG. 22;
FIG. 24 is a bottom plan view of the container shown in FIG. 22;
FIG. 25 is a rear view of the container shown in FIG. 22;
FIG. 26 is a right side view of the container shown in FIG. 22;
FIG. 27 is a front view of the container shown in FIG. 22;
and,
FIG. 28 is a left side view of the container shown in FIG. 22.
The broken lines depict portions of the article that form no part of the claimed design.

1 Claim, 24 Drawing Sheets

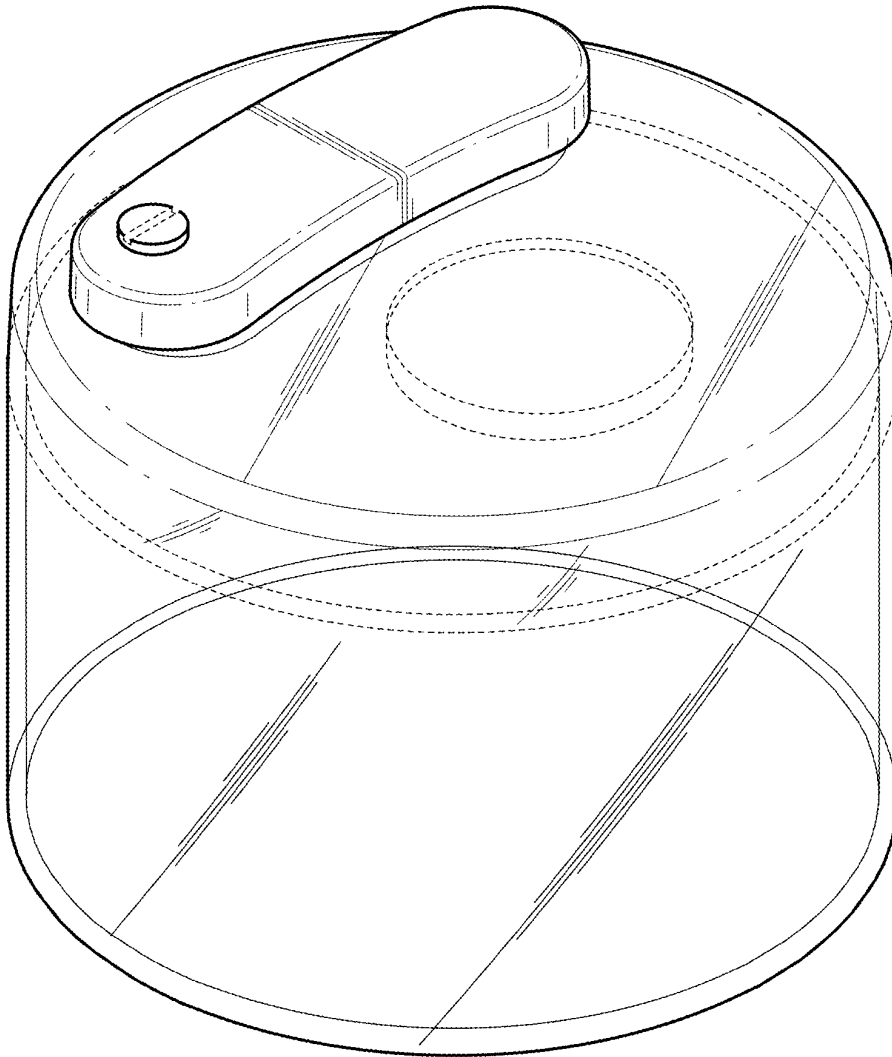


FIG. 1

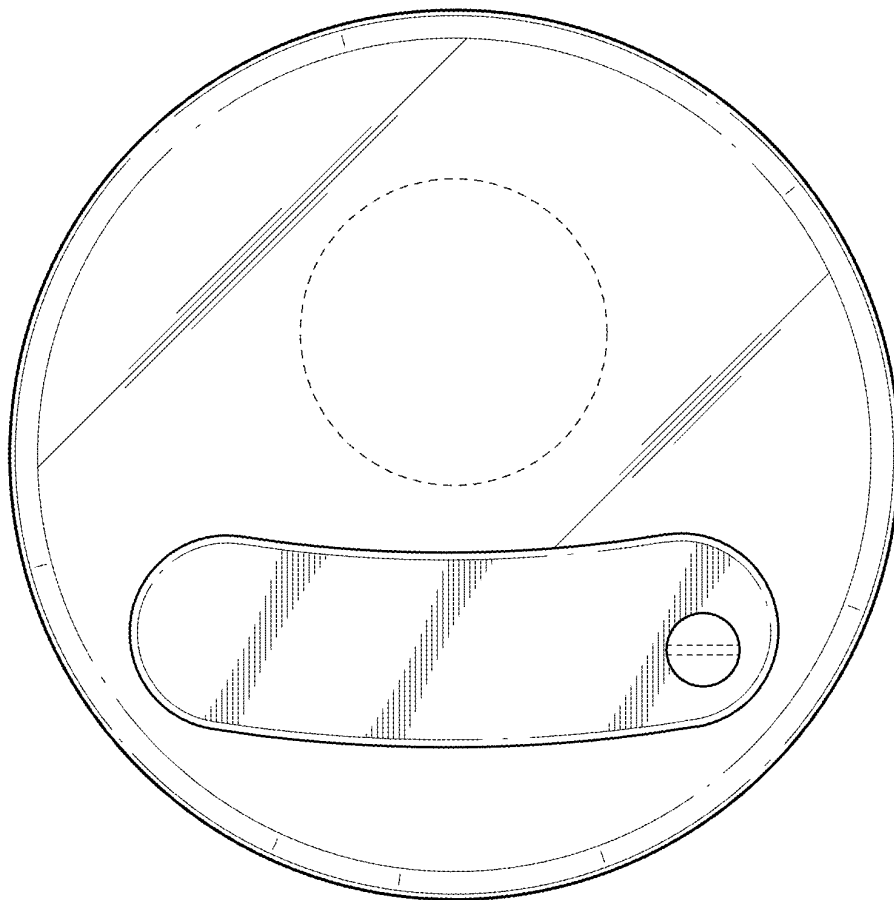


FIG. 2

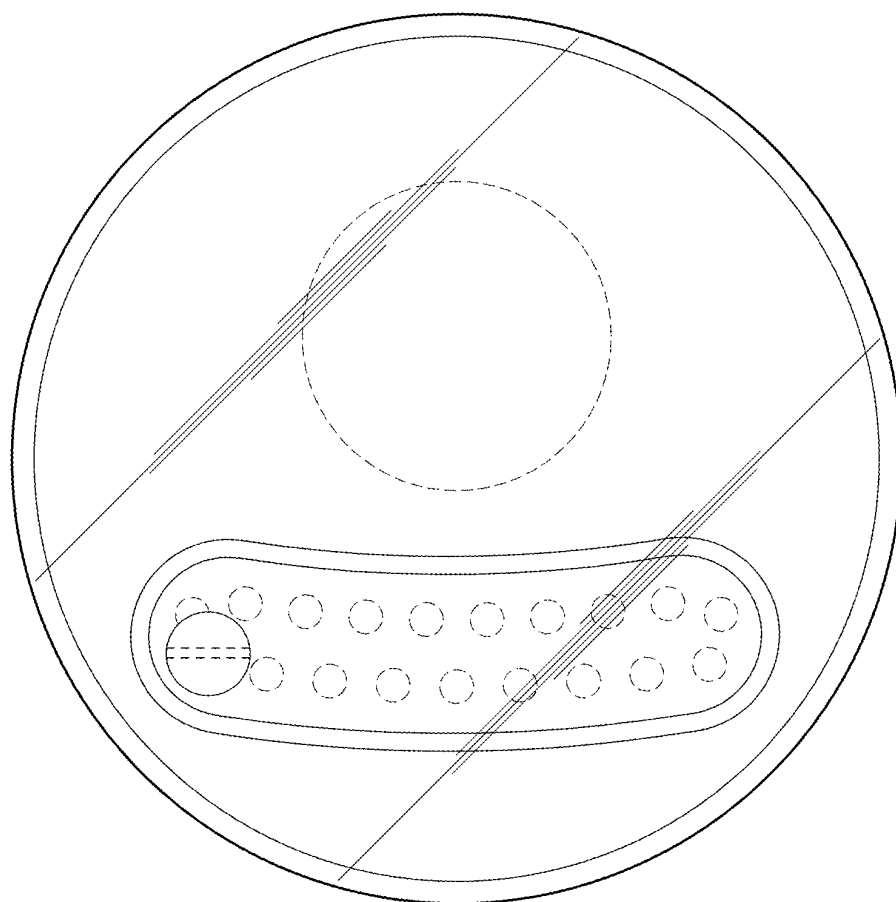


FIG. 3

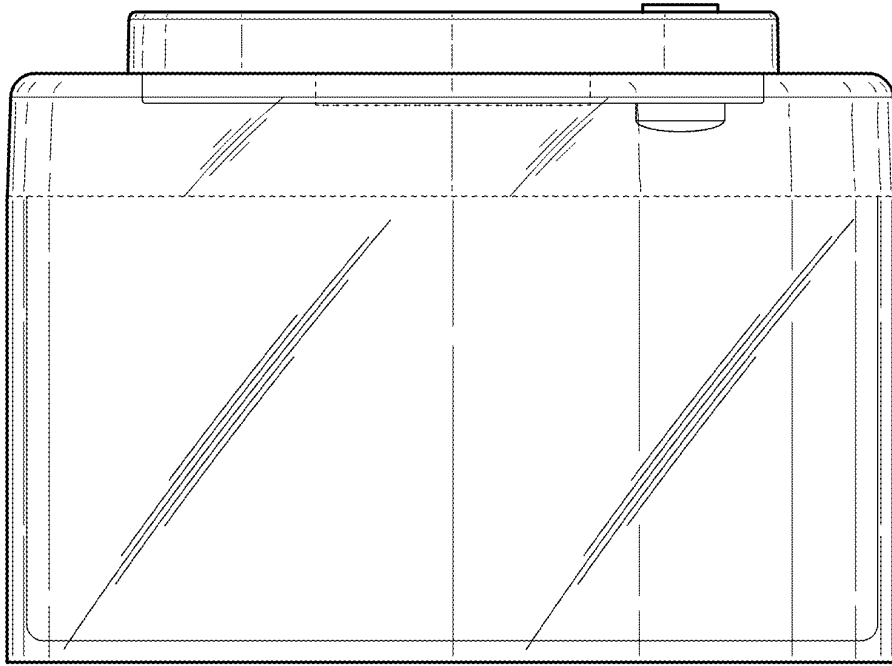


FIG. 4

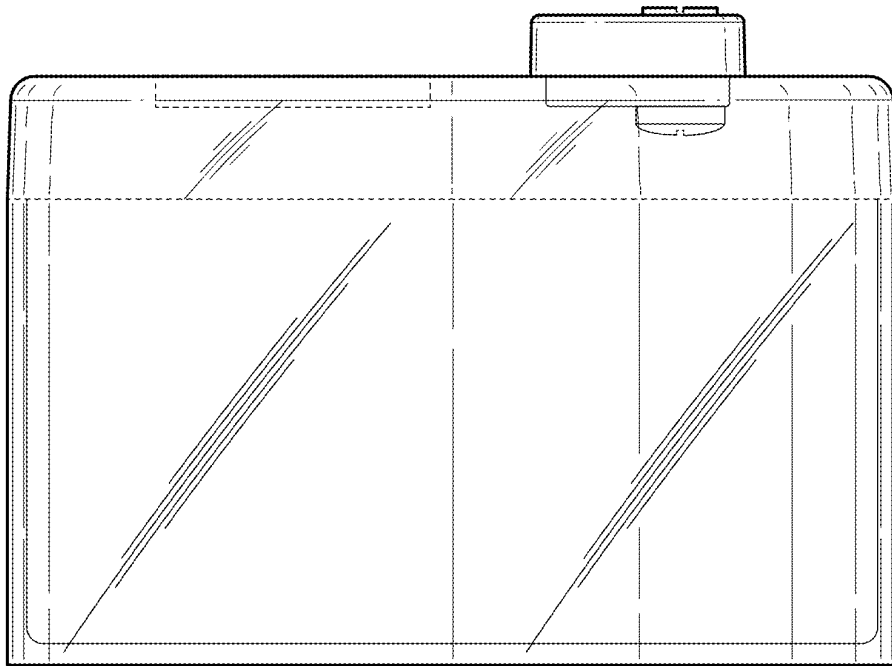


FIG. 5

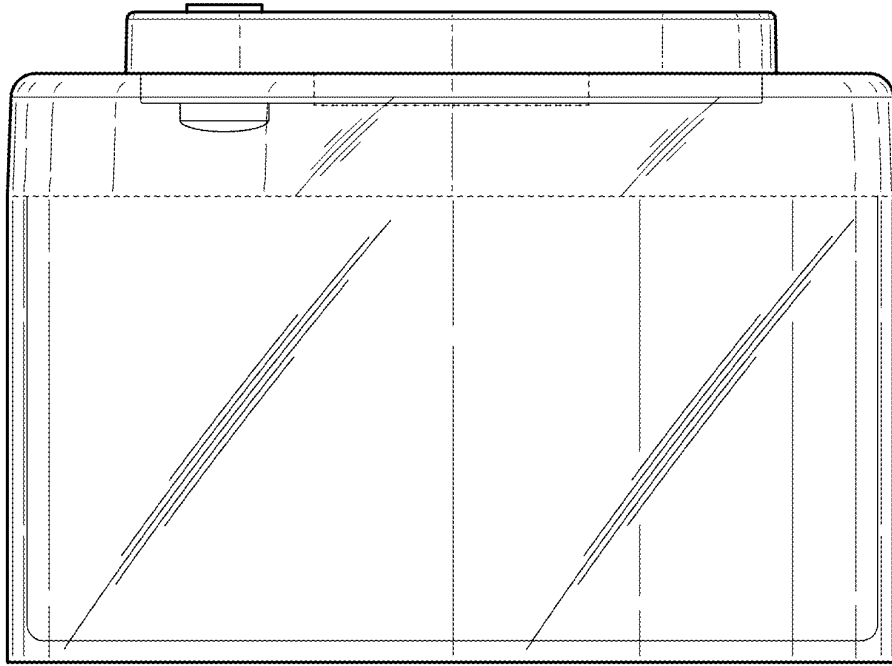


FIG. 6

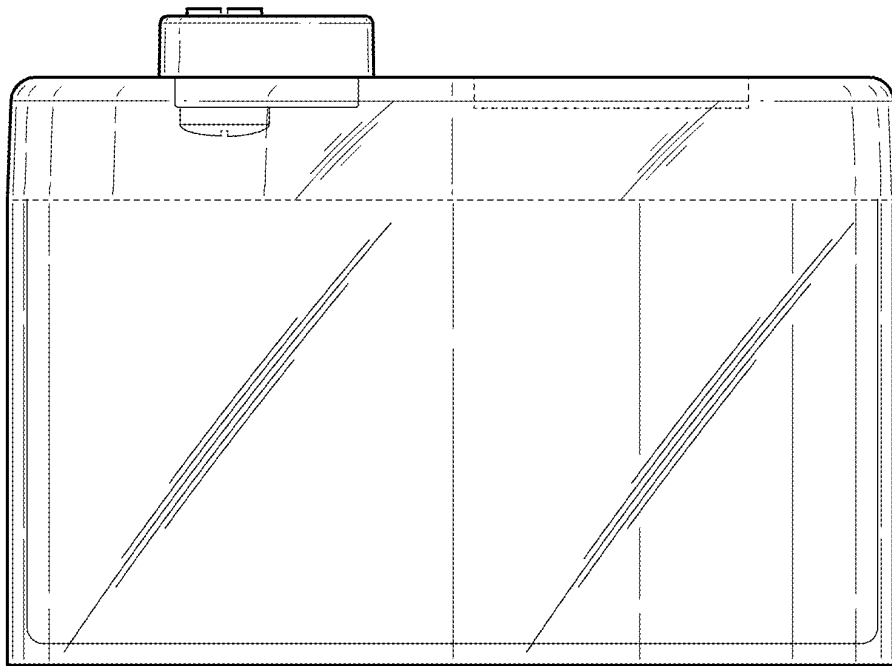


FIG. 7

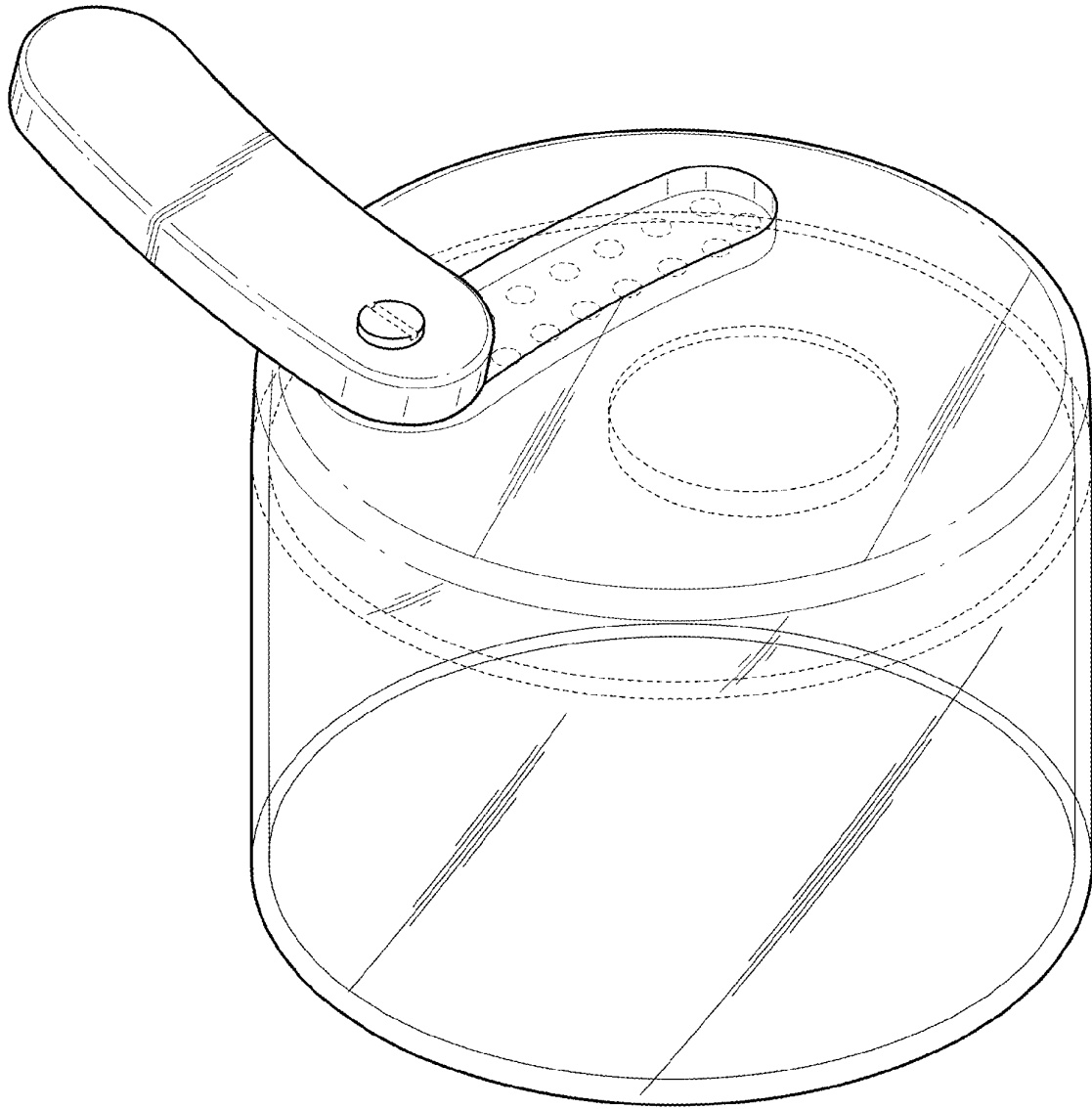


FIG. 8

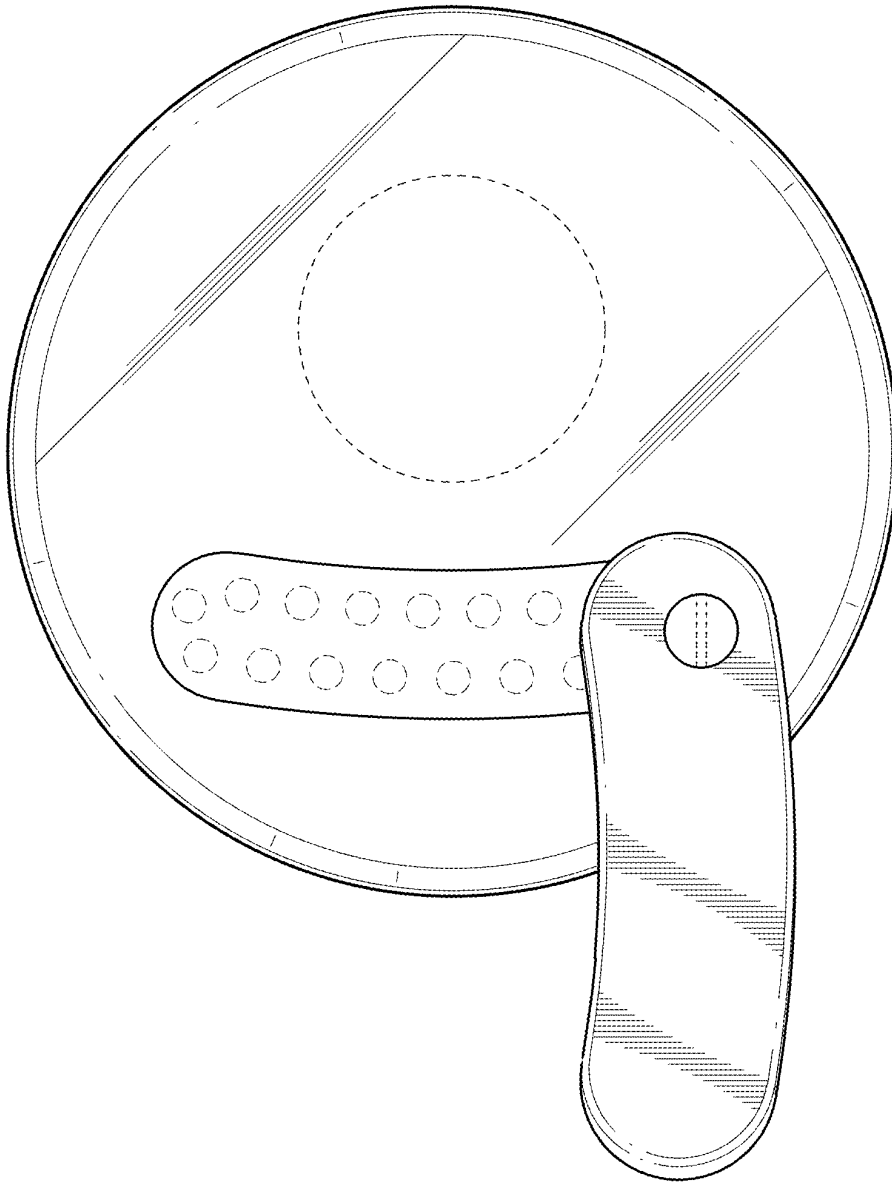


FIG. 9

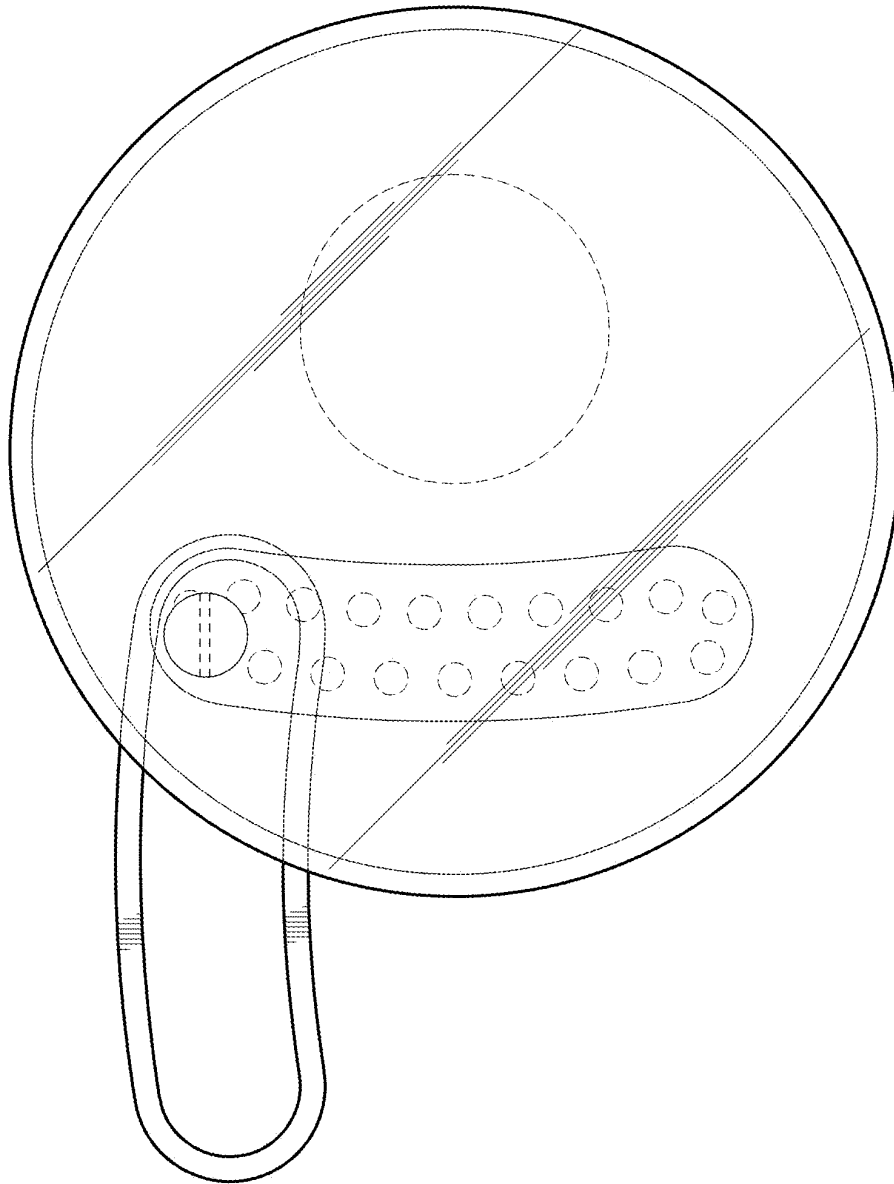


FIG. 10

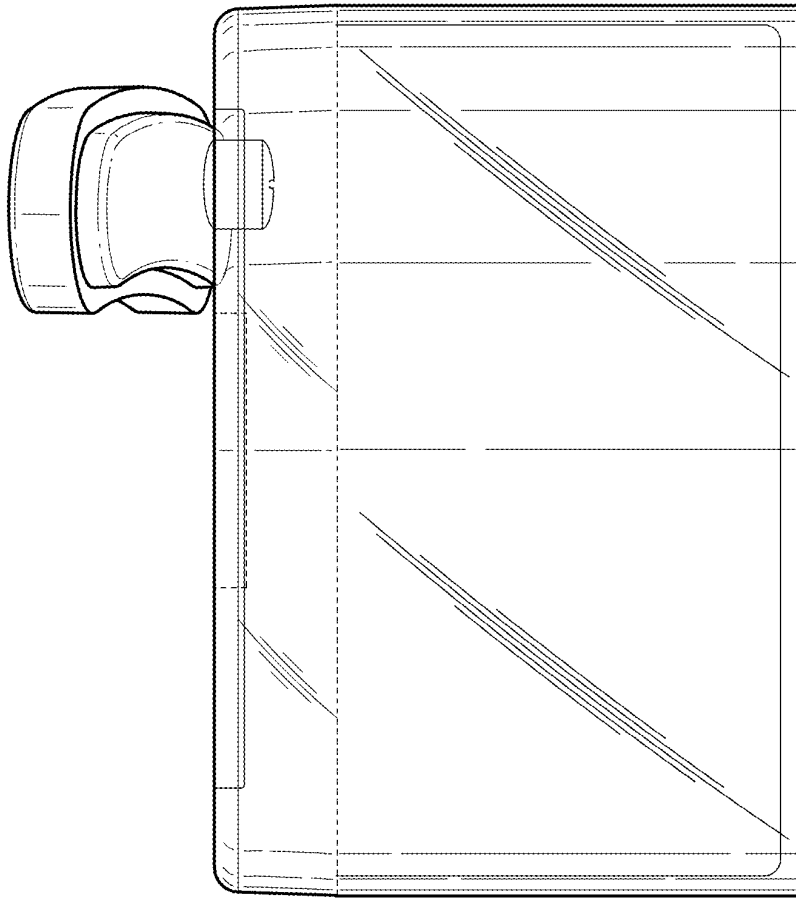


FIG. 11

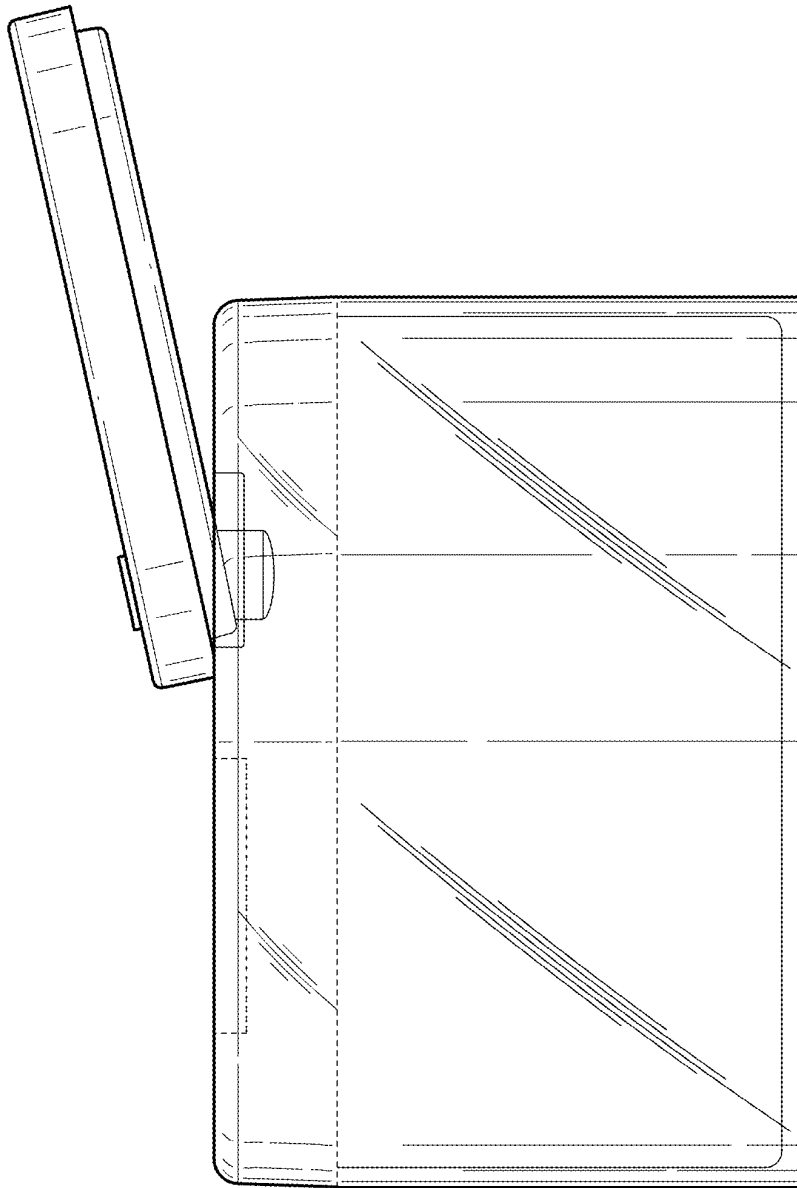


FIG. 12

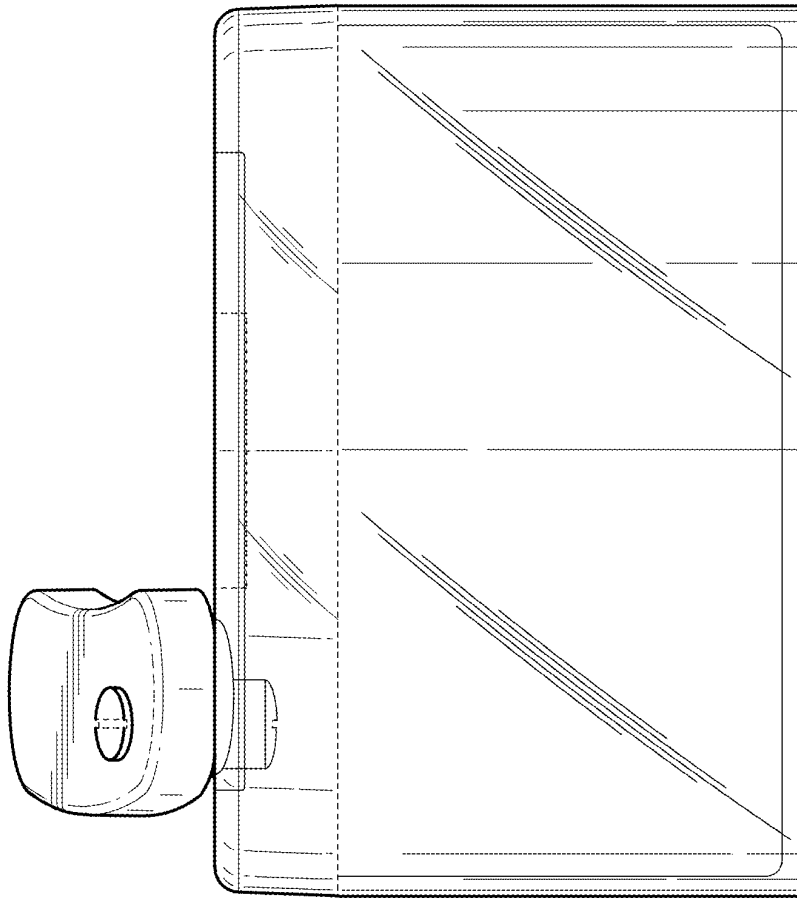


FIG. 13

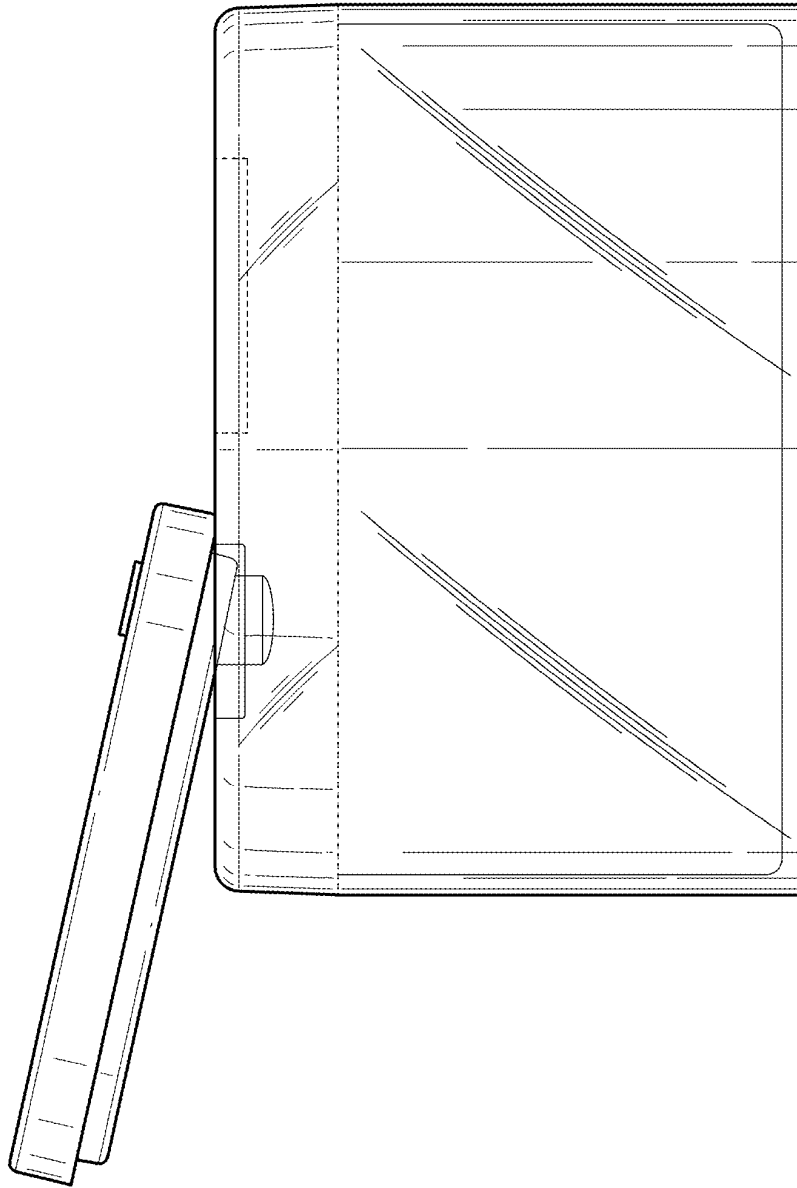


FIG. 14

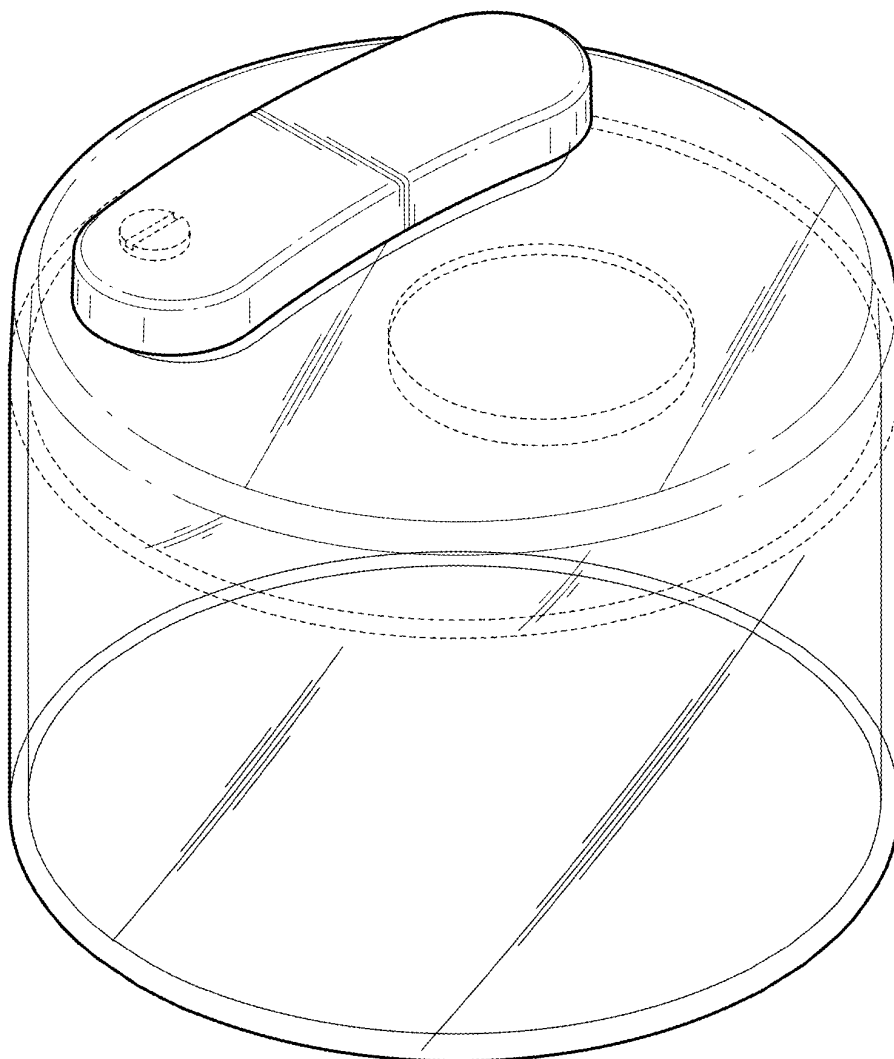


FIG. 15

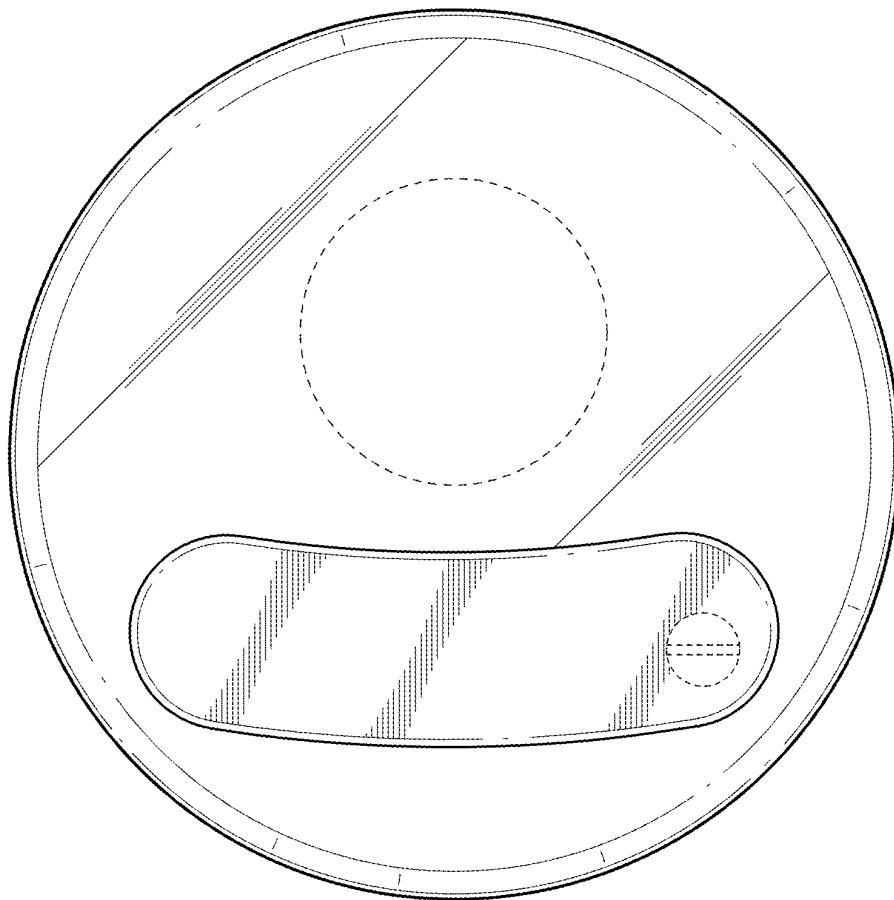


FIG. 16

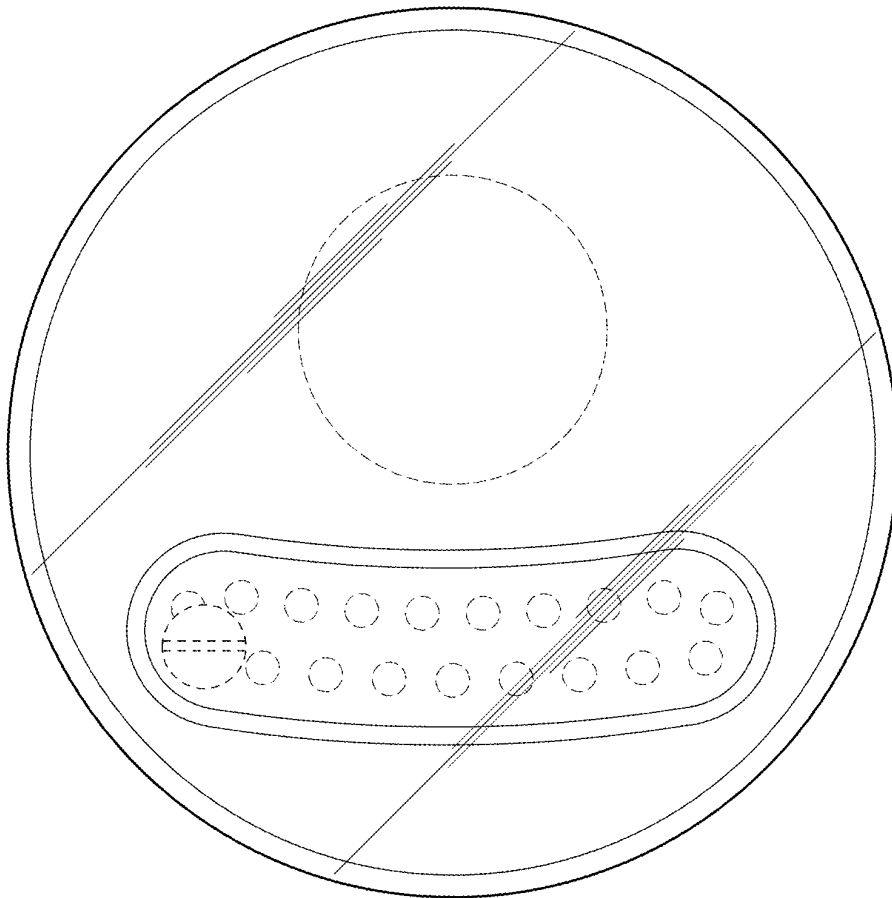


FIG. 17

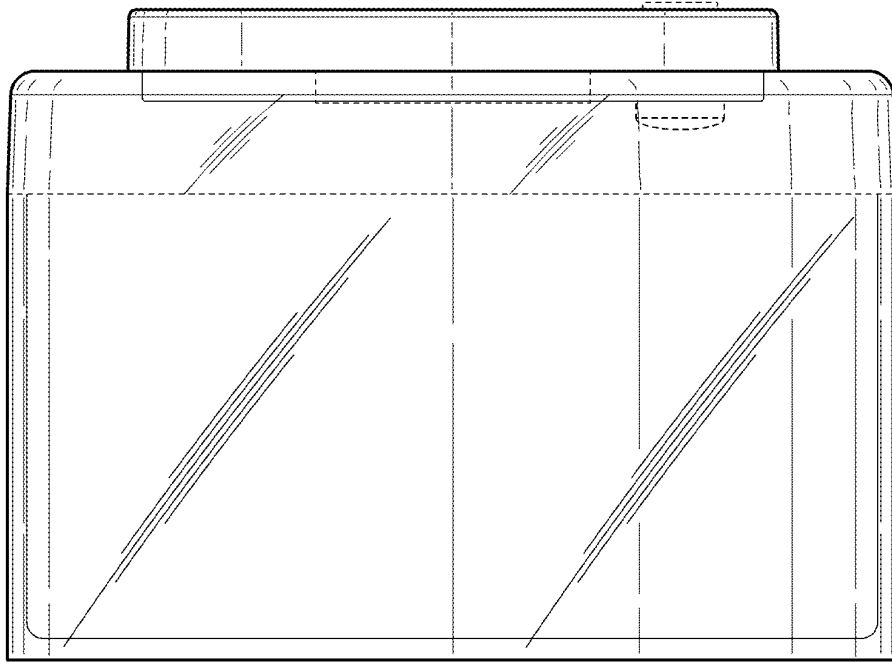


FIG. 18

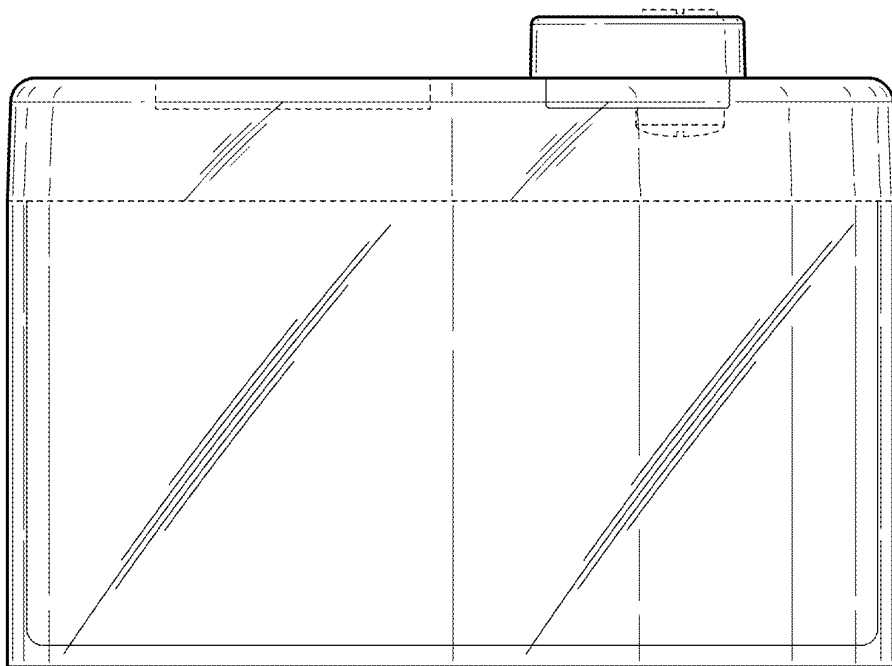


FIG. 19

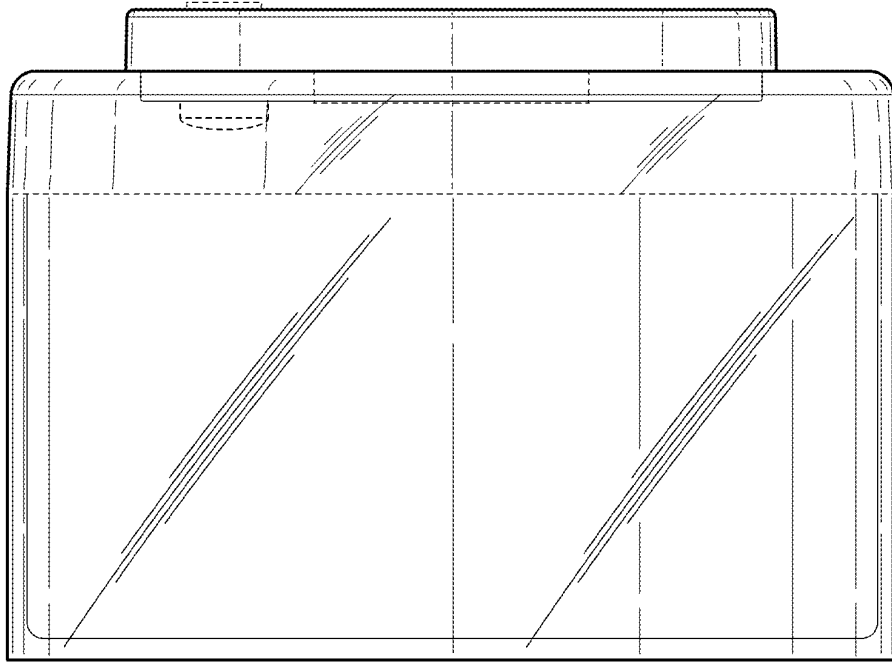


FIG. 20

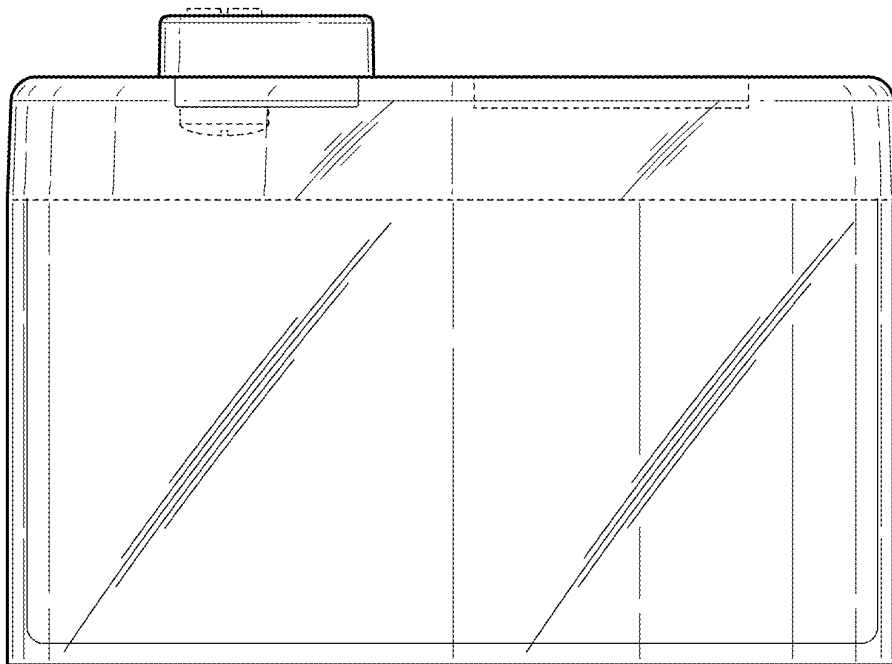


FIG. 21

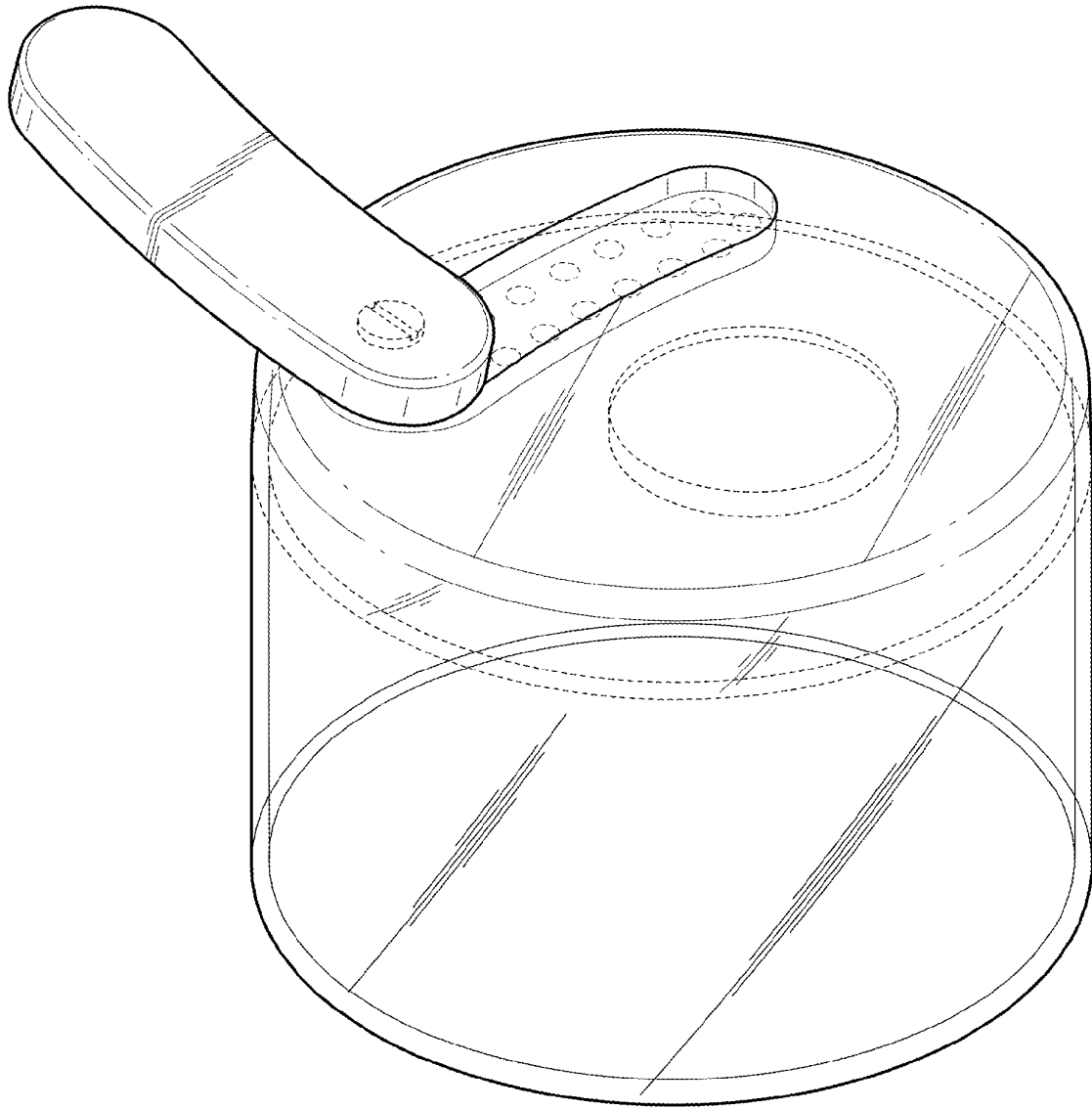


FIG. 22

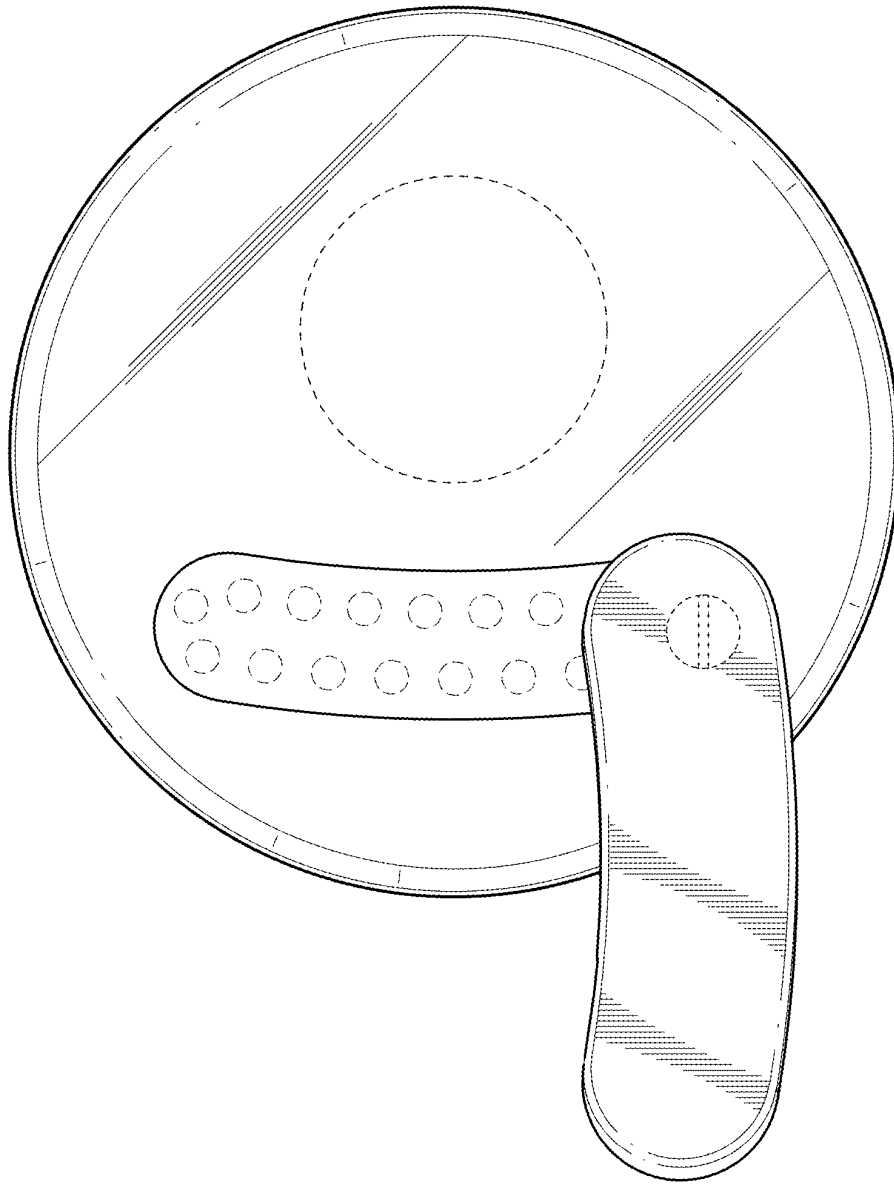


FIG. 23

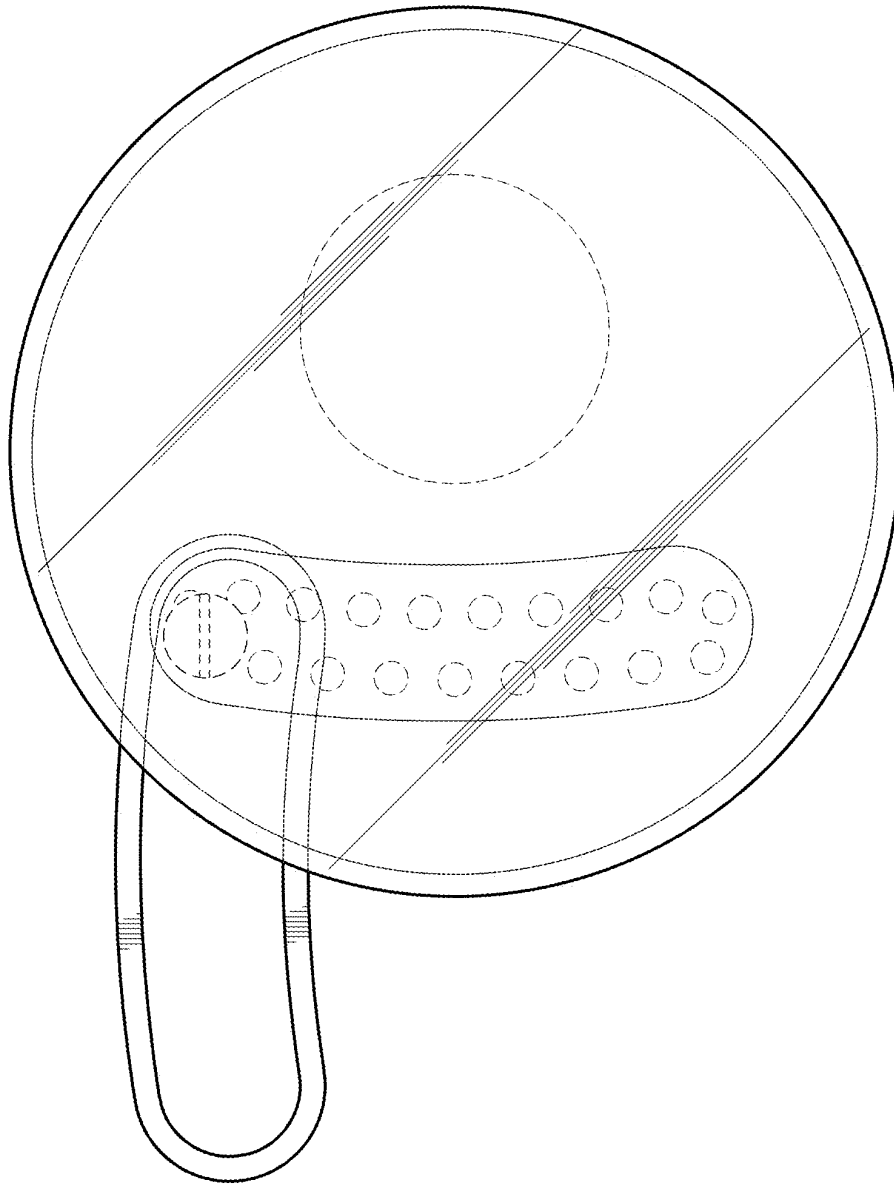


FIG. 24

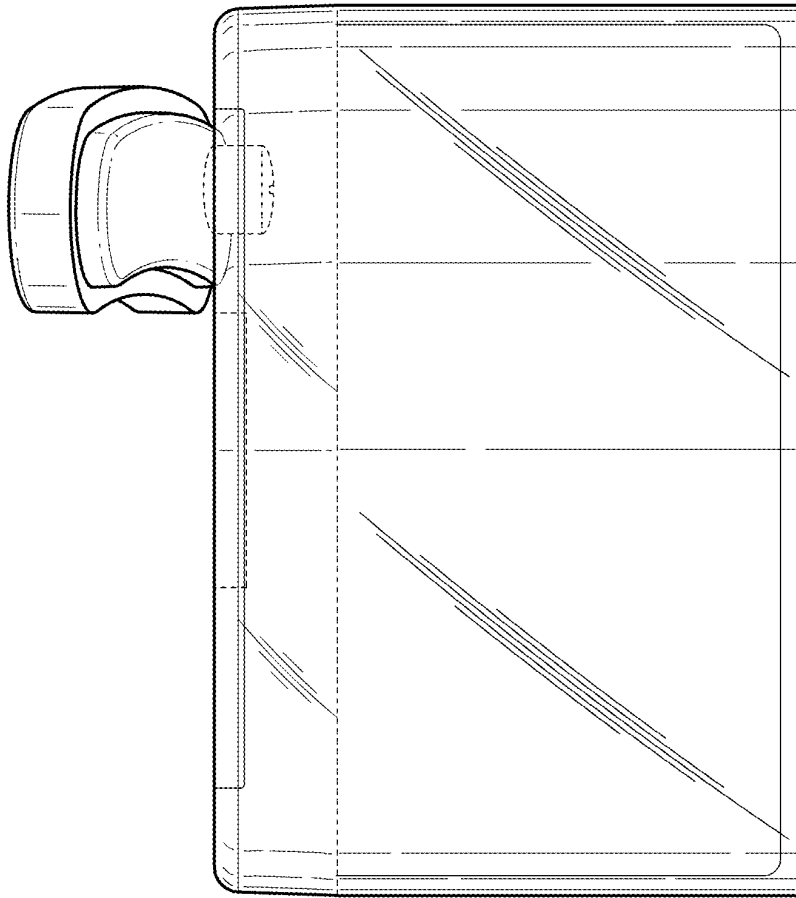


FIG. 25

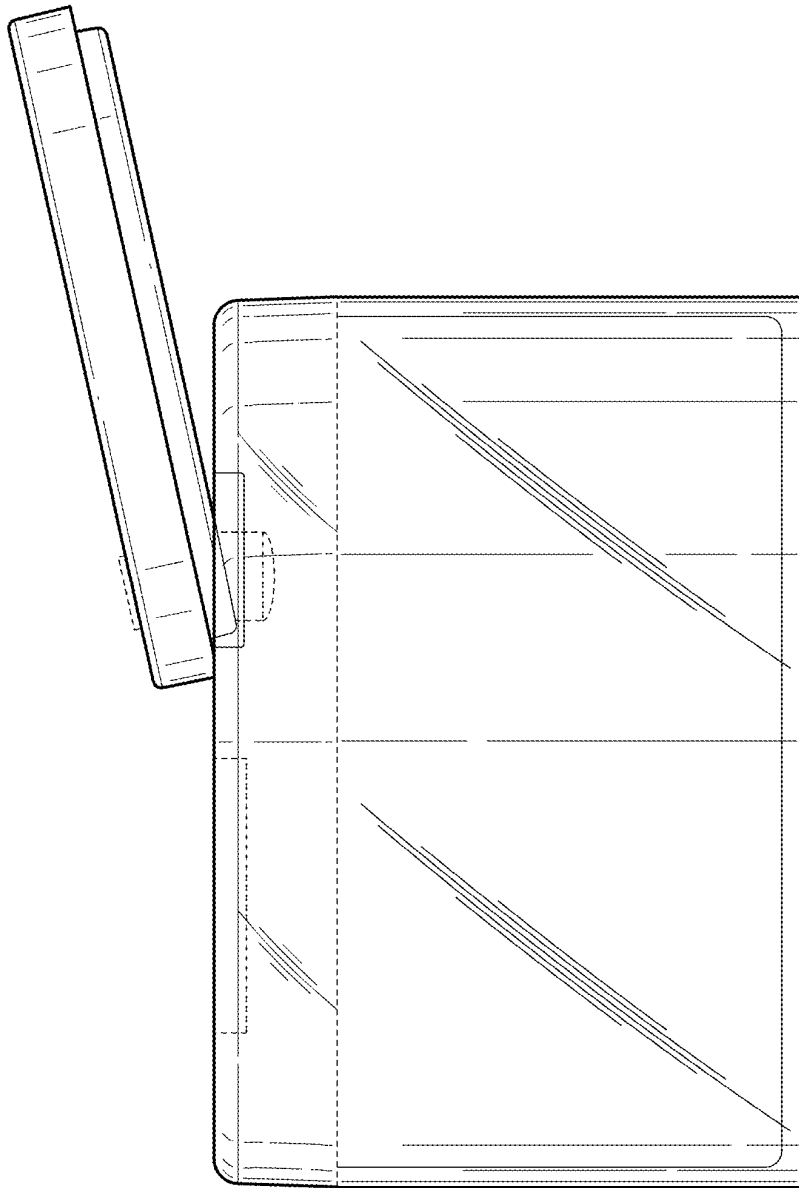


FIG. 26

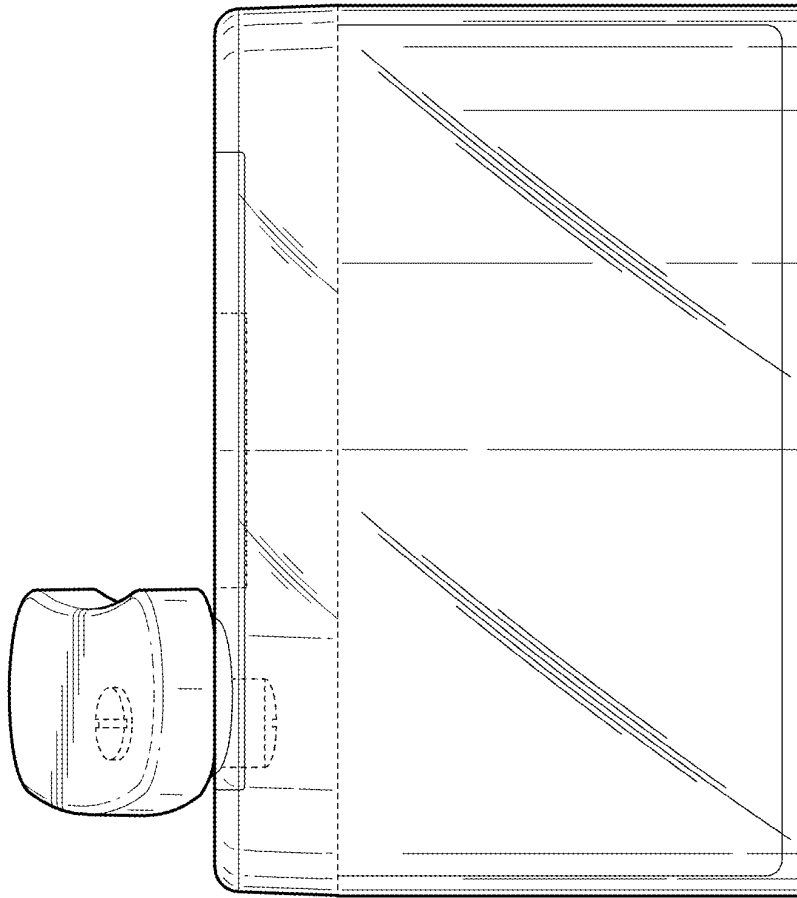


FIG. 27

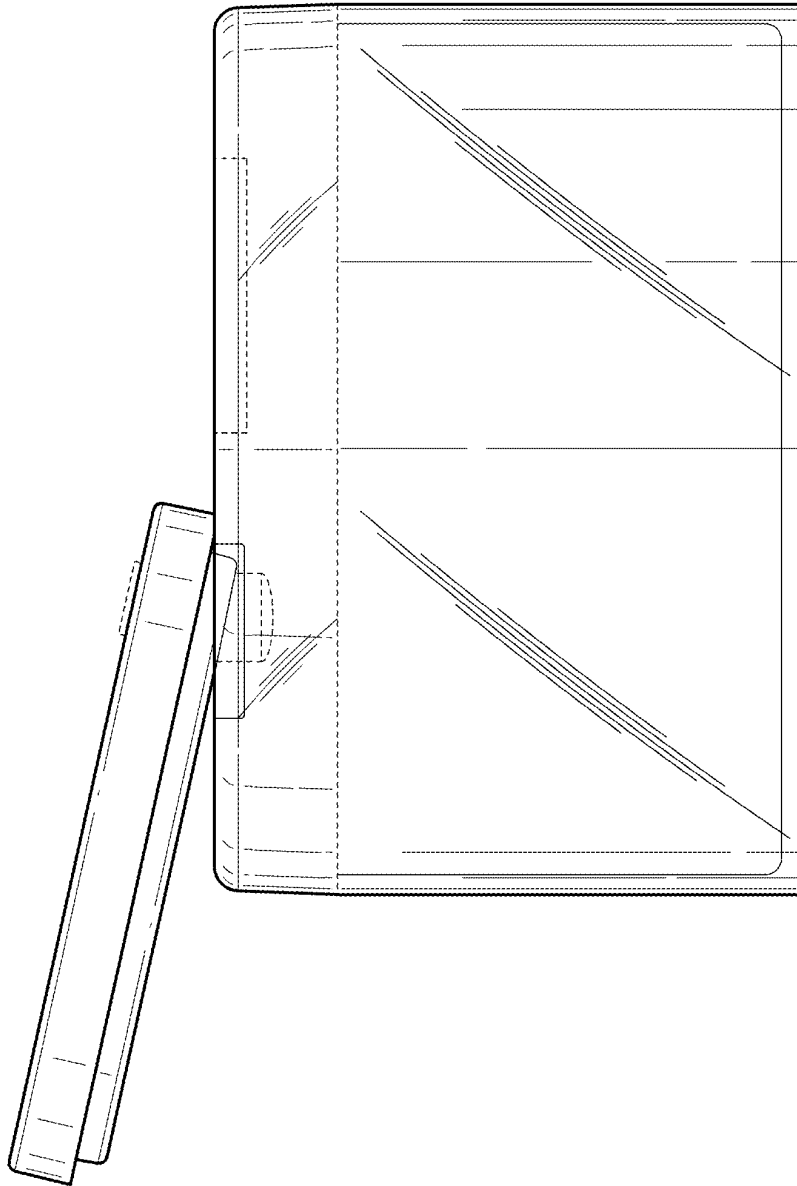


FIG. 28