



US00D902718S

(12) **United States Design Patent**
Smith et al.

(10) **Patent No.:** **US D902,718 S**

(45) **Date of Patent:** **** Nov. 24, 2020**

(54) **CONTAINER LID**

(71) Applicant: **ALL PLASTIC, INC.**, Gold River, CA (US)

(72) Inventors: **William Thomas Smith**, Fair Oaks, CA (US); **Cheryl Ann Smith**, Fair Oaks, CA (US)

(73) Assignee: **ALL PLASTIC, INC.**, Gold River, CA (US)

(**) Term: **15 Years**

(21) Appl. No.: **29/659,740**

(22) Filed: **Aug. 10, 2018**

(51) **LOC (12) Cl.** **09-07**

(52) **U.S. Cl.**
USPC **D9/454; D6/677; D9/428; D9/504**

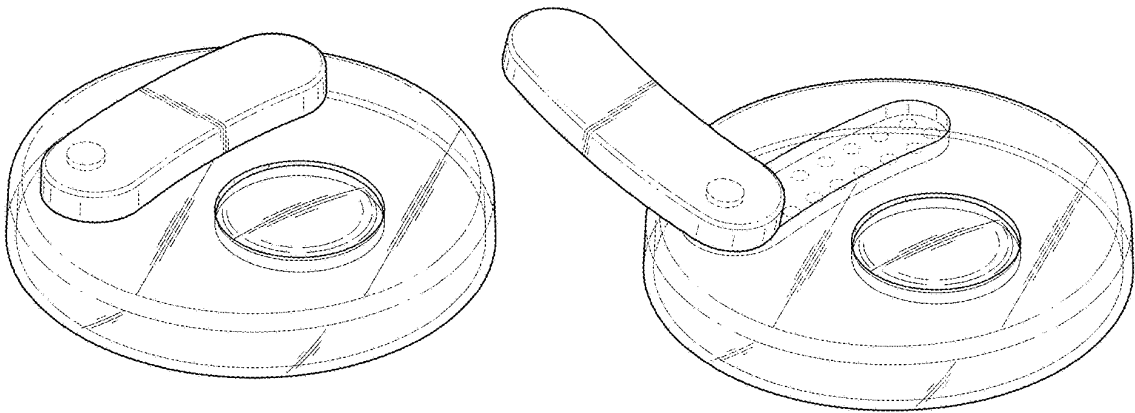
(58) **Field of Classification Search**
USPC D9/414, 418, 422, 423, 424, 428, 436, D9/454, 503, 504, 549, 721; D6/677
CPC B65D 25/54; B65D 25/106; B65D 25/22; B65D 51/24; B65D 51/245; A47F 3/145; A47F 7/286
See application file for complete search history.

(56) **References Cited**

U.S. PATENT DOCUMENTS

D128,936 S * 8/1941 Foley D3/203.2
D181,321 S 10/1957 Stowell
2,807,901 A 10/1957 Gilowitz
3,247,995 A 4/1966 Jensen
3,656,840 A 4/1972 Smith et al.
4,106,660 A * 8/1978 Boyle B65D 47/10
220/266
D255,546 S * 6/1980 Zaidmann D6/661
4,230,231 A 10/1980 Burnett et al.
4,284,200 A 8/1981 Bush et al.
D272,595 S 2/1984 Chase et al.
D292,887 S 11/1987 Schouten
D303,428 S 9/1989 Wada
4,979,332 A 12/1990 Nagaya et al.
D322,323 S 12/1991 Moir

D340,187 S * 10/1993 Forsyth D9/449
5,321,908 A 6/1994 Ushimaru
5,363,801 A 11/1994 Watters et al.
5,927,007 A 7/1999 Oda et al.
6,013,524 A 1/2000 Friars et al.
D455,552 S 4/2002 Charness
6,571,972 B1 6/2003 Bouc et al.
D476,572 S 7/2003 Merritt
D480,307 S * 10/2003 Canamasas Puigbo D28/76
6,761,287 B2 7/2004 Caruso
D493,721 S 8/2004 Puigbo
D493,722 S * 8/2004 Cooper D9/504
D513,979 S 1/2006 Snedden et al.
D517,405 S 3/2006 Snedden et al.
D518,728 S 4/2006 Frantz
D523,752 S 6/2006 Bried
7,185,827 B2 3/2007 Quintard et al.
D547,177 S 7/2007 Sherman et al.
D588,450 S 3/2009 Snedden et al.
D590,706 S 4/2009 Doliwa et al.
D591,148 S 4/2009 Parikh et al.
D600,111 S 9/2009 Gerulski et al.
D621,603 S 8/2010 Traylor
D630,949 S 1/2011 Lim
D646,969 S 10/2011 Snedden et al.
D647,530 S * 10/2011 Busch D14/480.3
8,079,478 B2 12/2011 Short et al.
D655,604 S * 3/2012 Molina D9/436
D671,831 S 12/2012 Moreau
D685,227 S 7/2013 Boonprasop
8,544,208 B2 10/2013 Huang
D696,948 S * 1/2014 Kim D9/454
D702,547 S 4/2014 Akana
D703,055 S * 4/2014 Park D9/454
8,925,725 B1 1/2015 Burnett
D731,891 S 6/2015 Servaire
D749,381 S 2/2016 Magri
D765,389 S * 9/2016 Martin D3/203.5
D769,079 S * 10/2016 Kotani D7/608
D775,959 S 1/2017 Owen
D778,718 S 2/2017 Smith et al.
9,630,747 B2 4/2017 Smith et al.
D794,944 S * 8/2017 Martin D3/203.5
D806,543 S * 1/2018 Finkbohner D9/443
D812,939 S 3/2018 Modlin
D814,831 S * 4/2018 Modlin D6/677
9,981,790 B1 5/2018 Ost
D821,738 S 7/2018 Small
D830,779 S 10/2018 Li et al.
D842,494 S 3/2019 Lee
D849,526 S 5/2019 Sanders et al.
D855,449 S * 8/2019 Smith D9/414
10,384,834 B2 8/2019 Smith et al.



D859,894	S	*	9/2019	Smith	D6/682.1
D861,475	S		10/2019	Giواني		
D862,226	S		10/2019	Horn		
D863,053	S	*	10/2019	Smith	D9/414
D866,334	S		11/2019	Wieland		
D876,945	S		3/2020	Smith		
2003/0234208	A1		12/2003	Huang		
2005/0092751	A1*		5/2005	Alvares	B65D 21/0219 220/270
2007/0051826	A1		3/2007	Schofield		
2009/0057326	A1		3/2009	Opitz		
2009/0261100	A1		10/2009	McMinn		
2010/0300370	A1		12/2010	Hundt		
2013/0313217	A1		11/2013	Yamamoto et al.		
2016/0031605	A1		2/2016	Bean et al.		
2016/0318672	A1*		11/2016	Smith	B65D 85/70
2017/0190482	A1		7/2017	Smith et al.		
2017/0275075	A1*		9/2017	Bamonte	A47J 47/10
2018/0362215	A1*		12/2018	Whetsel	B65D 25/54
2019/0009967	A1*		1/2019	Lung	B65B 5/04
2019/0152648	A1*		5/2019	Parve	B65D 21/08
2020/0130901	A1		4/2020	Karll		

FOREIGN PATENT DOCUMENTS

EP 1779885 A1 5/2007

OTHER PUBLICATIONS

Magazine AD for Bud Bar Displays™. 3rd Annual Marijuana Business Conference & Expo, Las Vegas, NV, Nov. 1, 2014. 3 pages.

Magazine AD for Bud Bar Displays™. Canna Con, Denver, Colorado, Jun. 1, 2015. 3 pages.

Magazine AD showing Bud Bar Displays™. Dope Magazine, Issue #7, Dec. 1, 2015. 2 pages.

Magazine AD for Bud Bar Displays™. MG-Magazine.com, Feb. 1, 2016. 2 pages.

Magazine AD for Bud Bar Displays™. Marijuana Business Magazine, vol. 2, Issue 4, Jul. 1, 2015. 2 pages.

Magazine AD for Bud Bar Displays™. Marijuana Venture Magazine, Jun. 1, 2017. 3 pages.

Magazine AD for Bud Bar Displays™. Marijuana Venture Magazine, vol. 1, Issue 7, Sep. 1, 2014. 3 pages.

Magazine AD for Bud Bar Displays™. The News Tribune, Aug. 15, 2014. 2 pages.

Pictures of Bud Bar Displays™ booth at the KushCon Convention, which features the EPods. Denver, Colorado, Dec. 1, 2010. 3 pages.

Website photo. Bud-Pod. www.budbardisplays.com. Published Jan. 1, 2016.

Website photo. BadBar. www.budbardisplays.com. Published Jan. 23, 2016.

Website photo. Aroma epod. www.budbardisplays.com. Published Jan. 23, 2016.

Website photo. Highlight display. www.budbardisplays.com. Published Jan. 23, 2016.

Website photo. 3 Tier Lighted Display. www.budbardisplays.com. Published Jul. 9, 2017.

Website photo. Bud bar cabinet. www.budbardisplays.com. Published Jul. 9, 2017.

Website photo. Budtender1. www.budbardisplays.com. Published Jul. 9, 2017.

Website photo. Canna pod. www.budbardisplays.com. Published Jul. 9, 2017.

Website photo. Eco Pod Cabinet. www.budbardisplays.com. Published Jul. 9, 2017.

Website photo. Bud Pod. www.budbardisplays.com. Published Jul. 9, 2017.

Website photo. e-Pod. www.budbardisplays.com. Published Jul. 9, 2017.

Website photo. Sample pod package. www.budbardisplays.com. Published Jul. 9, 2017.

Website photo. Security seals for pods. www.budbardisplays.com. Published Jul. 9, 2017.

Website photo. Tether on Bud Pod3. www.budbardisplays.com. Published Jul. 9, 2017.

Bud Pod and Bud pod security tether close up. Publication on Facebook Oct. 21, 2016. <https://www.facebook.com/BudBarDisplays/photos/a.1250515684990657/1250523611656531/?type=3&theater>.

Budtender Demo-Bud Bar Displays. Publication on youtube dated May 7, 2017—<https://www.youtube.com/watch?v=JRd6B1ZXZIK>.

Facebook post showing sample containers, Oct. 22, 2016. <https://www.facebook.com/BudBarDisplays/photos/a.1250515684990657/1251439121564980/?type=3&theater>.

Facebook post showing sample containers, Oct. 22, 2016. <https://www.facebook.com/BudBarDisplays/photos/a.1250515684990657/1251439121564980/?type=3&theater> (continued).

Author Unknown; Bud Pod Seals Airtight for Freshness; Published Sep. 14, 2018; Retrieved Nov. 5, 2019 from www.budbardisplays.com/product/pods/bud-pod.

* cited by examiner

Primary Examiner — Lauren R Calve
(74) Attorney, Agent, or Firm — Ballard Spahr LLP

(57) CLAIM

We claim the ornamental design for a container lid, as shown and described.

DESCRIPTION

FIG. 1 is a perspective view of a container lid showing our design with the plug in a close position;

FIG. 2 is a front elevation view of the container lid shown in FIG. 1;

FIG. 3 is a right side elevation view of the container lid shown in FIG. 1;

FIG. 4 is a rear elevation view of the container lid shown in FIG. 1;

FIG. 5 is a left side elevation view of the container lid shown in FIG. 1;

FIG. 6 is a top plan view of the container lid shown in FIG. 1;

FIG. 7 is a bottom plan view of the container lid shown in FIG. 1;

FIG. 8 is a perspective view of the container lid shown in FIG. 1 in an example environment;

FIG. 9 is a perspective view of the container lid of FIG. 1 with the plug in an open position;

FIG. 10 is a front elevation view of the container lid shown in FIG. 9;

FIG. 11 is a right side elevation view of the container lid shown in FIG. 9;

FIG. 12 is a rear elevation view of the container lid shown in FIG. 9;

FIG. 13 is a left side elevation view of the container lid shown in FIG. 9;

FIG. 14 is a top plan view of the container lid shown in FIG. 9;

FIG. 15 is a bottom plan view of the container lid shown in FIG. 9; and,

FIG. 16 is a perspective view of the container lid shown in FIG. 9 in an example environment.

The design is the visual features of the container lid, shown in solid lines in the drawings, whether those features are features of one of shape, configuration, ornament or pattern or are a combination of any of these features.

The broken lines depict portions of the article that form no part of the claimed design.

1 Claim, 12 Drawing Sheets

FIG. 1

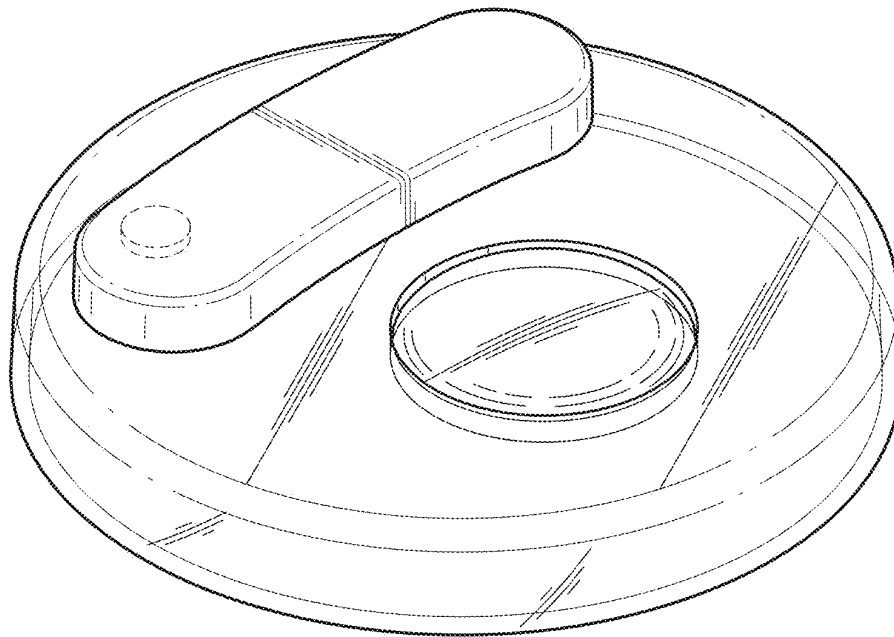


FIG. 2

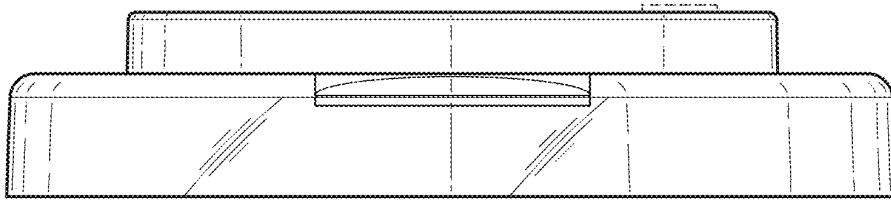


FIG. 3

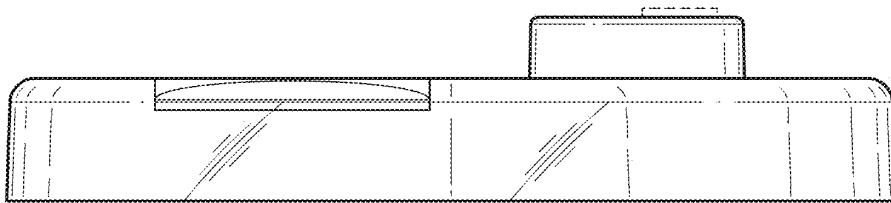


FIG. 4

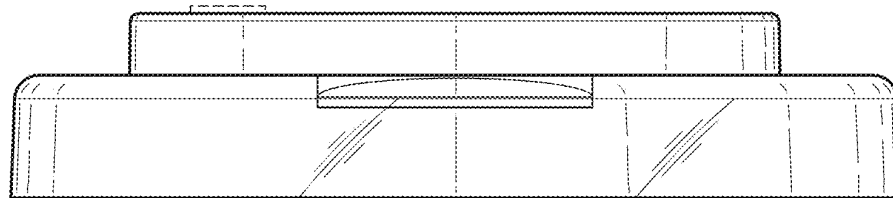


FIG. 5

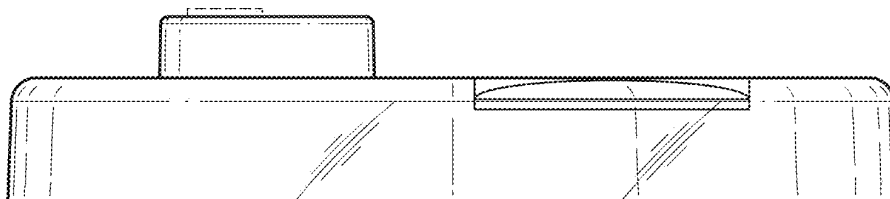


FIG. 6

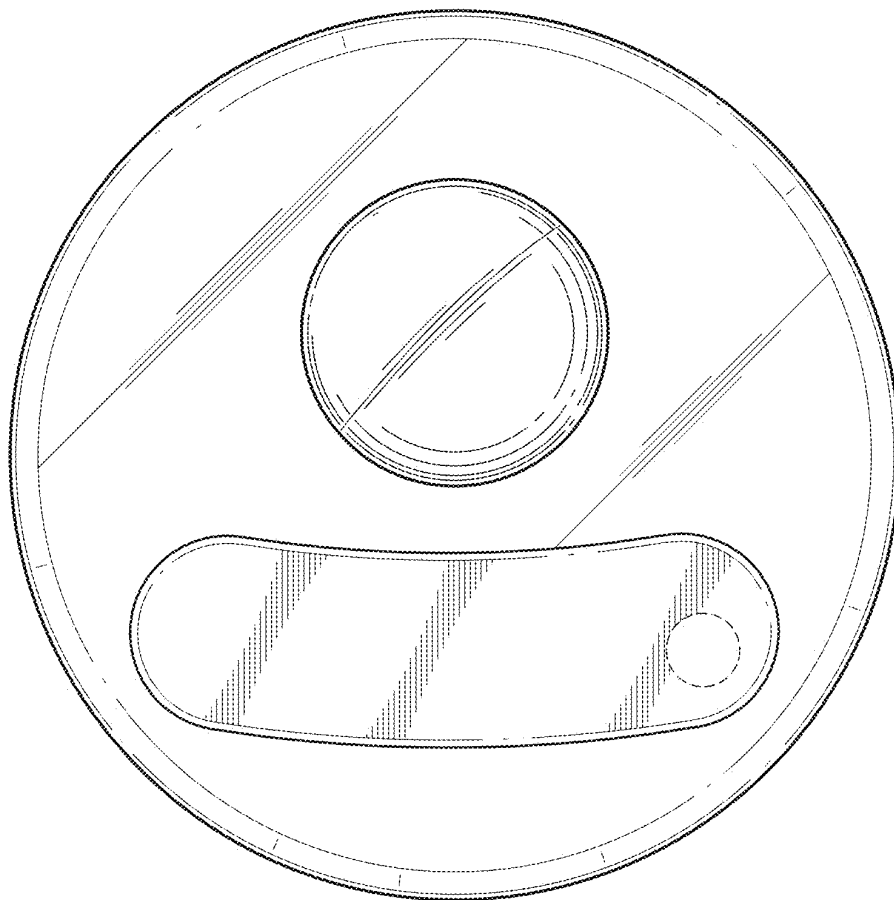


FIG. 7

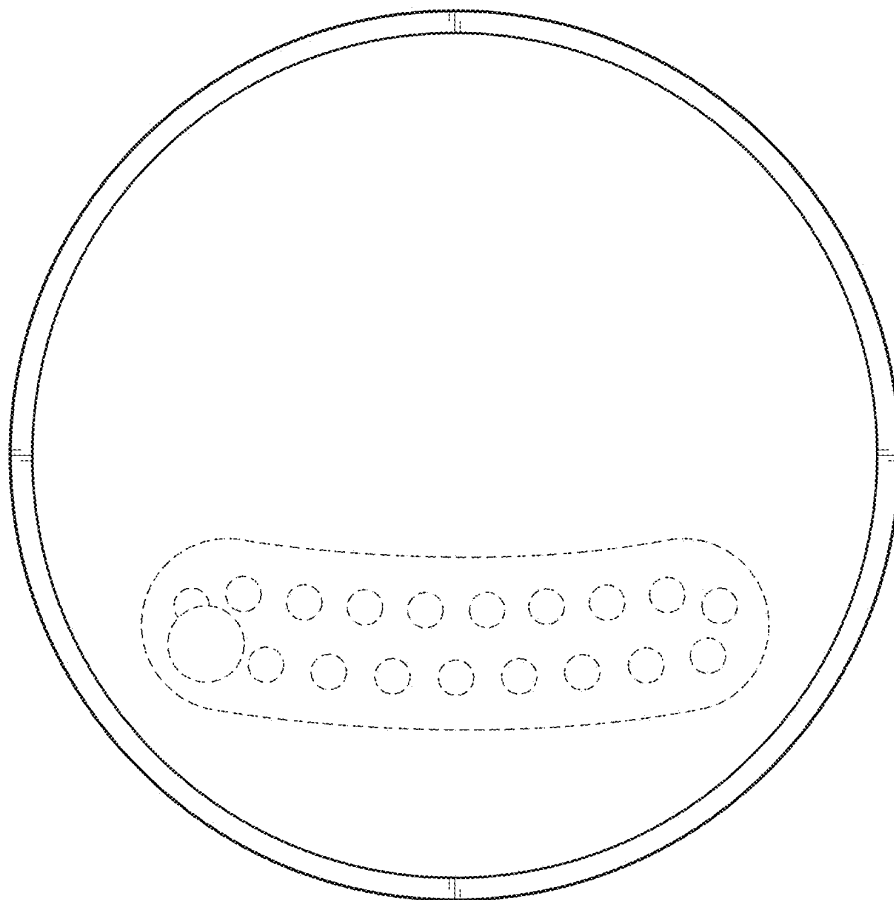


FIG. 8

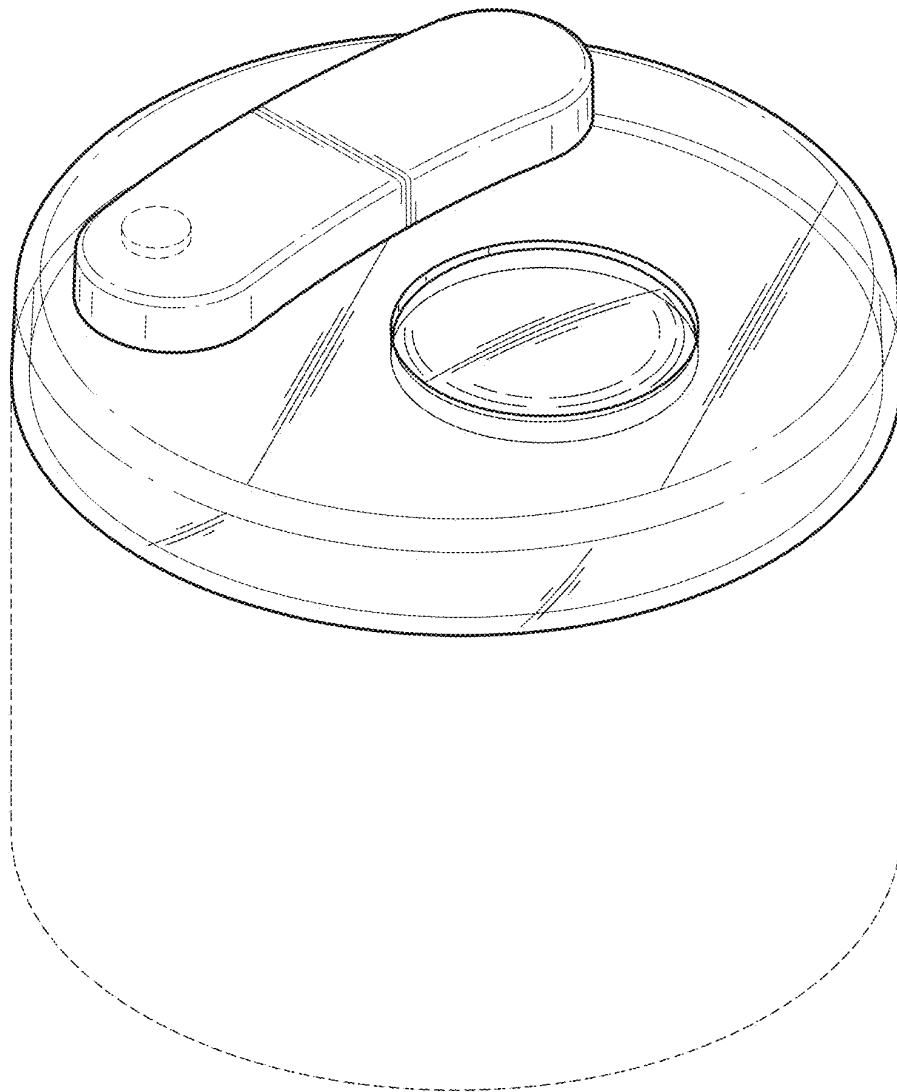
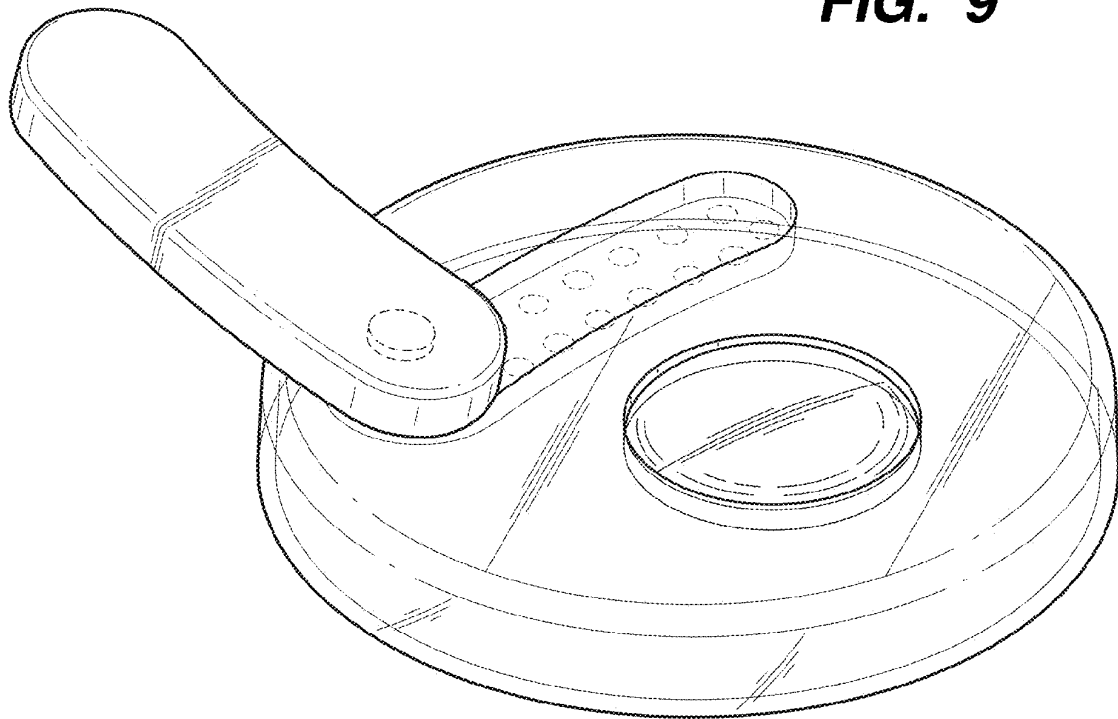


FIG. 9



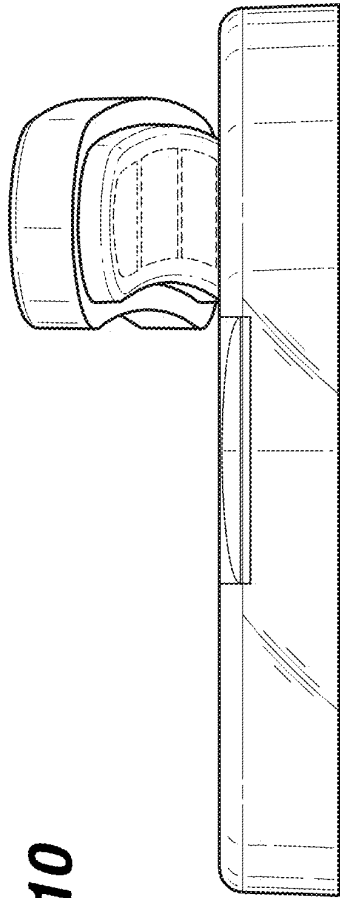


FIG. 10

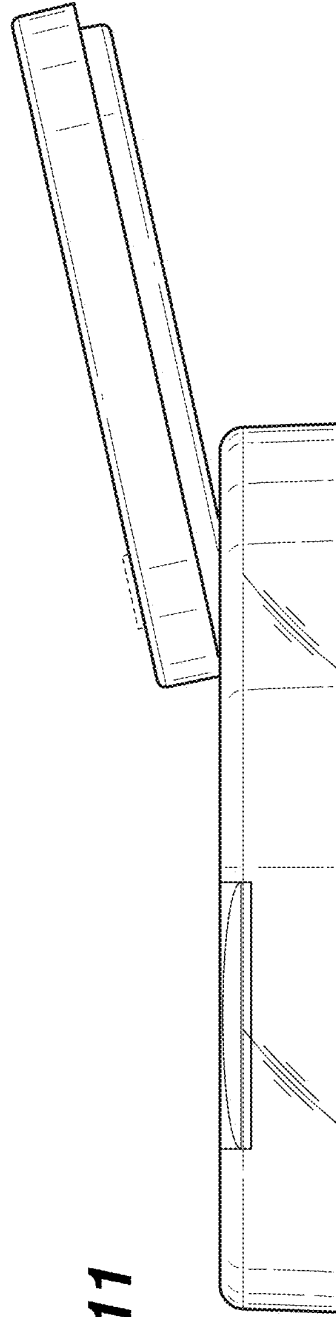


FIG. 11

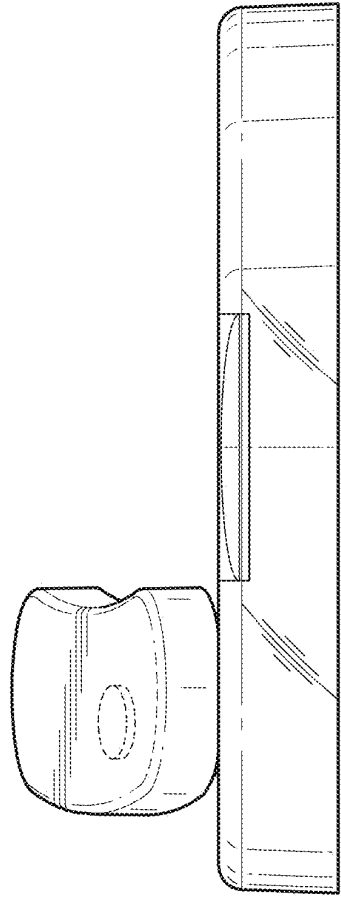


FIG. 12

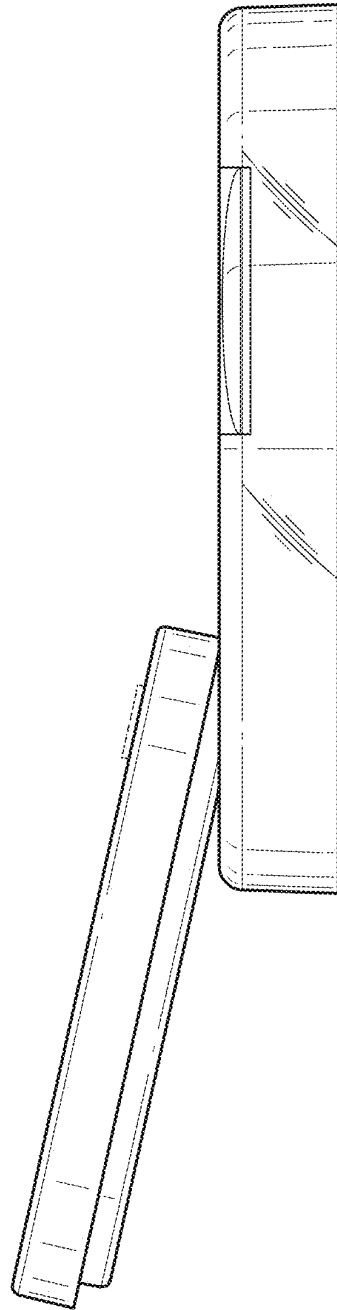


FIG. 13

FIG. 14

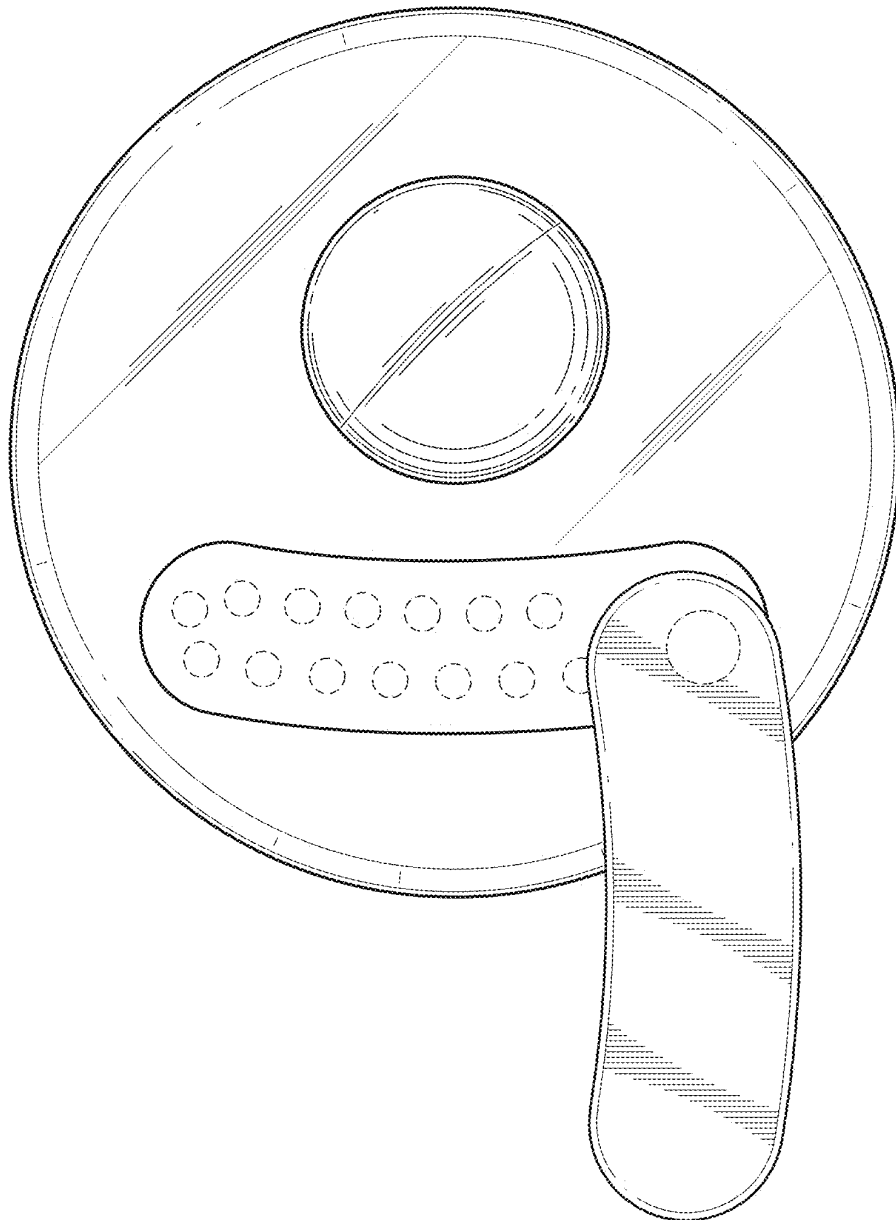


FIG. 15

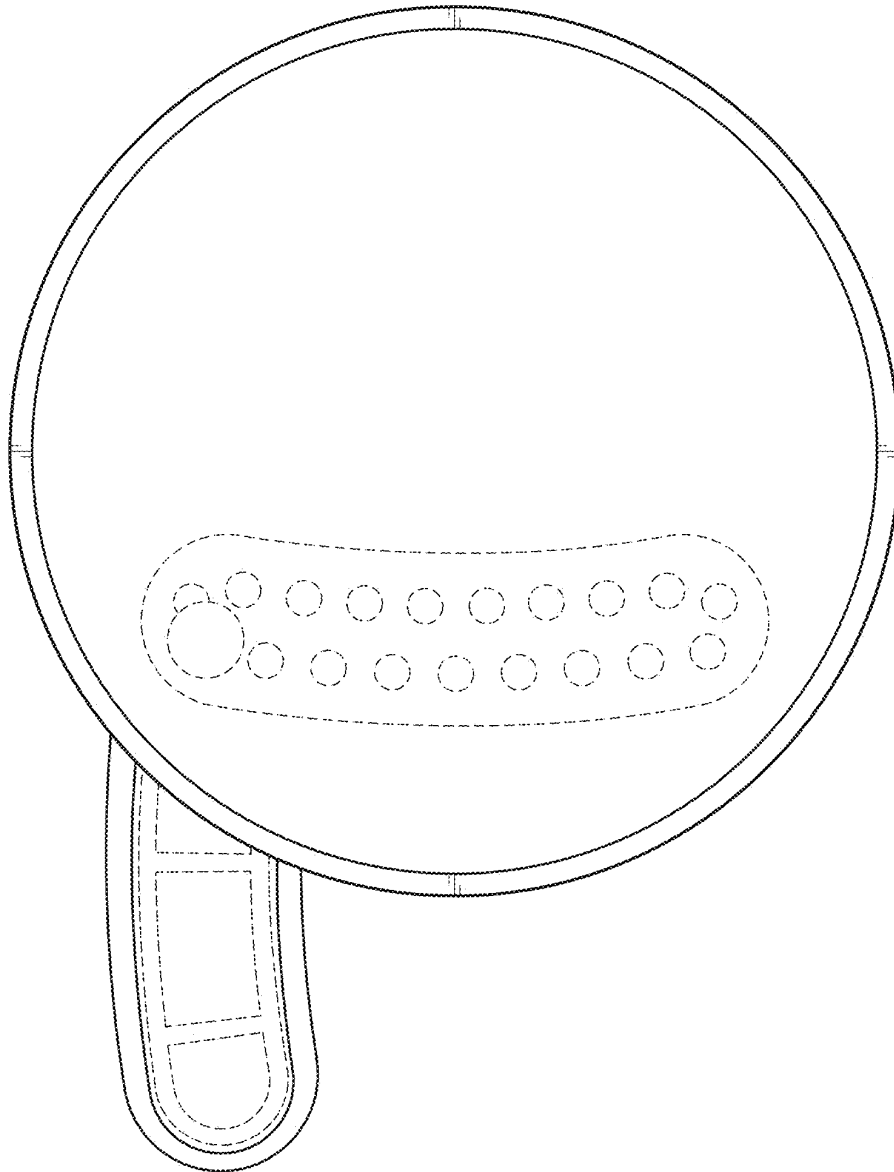


FIG. 16

