



US00D902028S

(12) **United States Design Patent**
Smith et al.

(10) **Patent No.:** **US D902,028 S**

(45) **Date of Patent:** **** Nov. 17, 2020**

(54) **CONTAINER**

- (71) Applicant: **All Plastic, Inc.**, Gold River, CA (US)
- (72) Inventors: **William Thomas Smith**, Fair Oaks, CA (US); **Cheryl Ann Smith**, Fair Oaks, CA (US)
- (73) Assignee: **ALL PLASTIC, INC.**, Gold River, CA (US)
- (**) Term: **15 Years**
- (21) Appl. No.: **29/663,940**
- (22) Filed: **Sep. 20, 2018**

Related U.S. Application Data

- (63) Continuation-in-part of application No. 29/659,740, filed on Aug. 10, 2018.
- (51) **LOC (12) Cl.** **09-03**
- (52) **U.S. Cl.**
USPC **D9/428**; D9/504; D6/677
- (58) **Field of Classification Search**
USPC D9/414, 418, 422, 423, 424, 428, 436, D9/454, 503, 504, 549, 721; D6/677
(Continued)

References Cited

U.S. PATENT DOCUMENTS

- D128,936 S * 8/1941 Foley D3/203.2
- D181,321 S 10/1957 Stowell
(Continued)

FOREIGN PATENT DOCUMENTS

EP 1779885 A1 5/2007

OTHER PUBLICATIONS

Magazine AD for Bud Bar Displays™. 3rd Annual Marijuana Business Conference & Expo, Las Vegas, NV, Nov. 1, 2014. 3 pages.

(Continued)

Primary Examiner — Lauren R Calve

(74) *Attorney, Agent, or Firm* — Ballard Spahr LLP

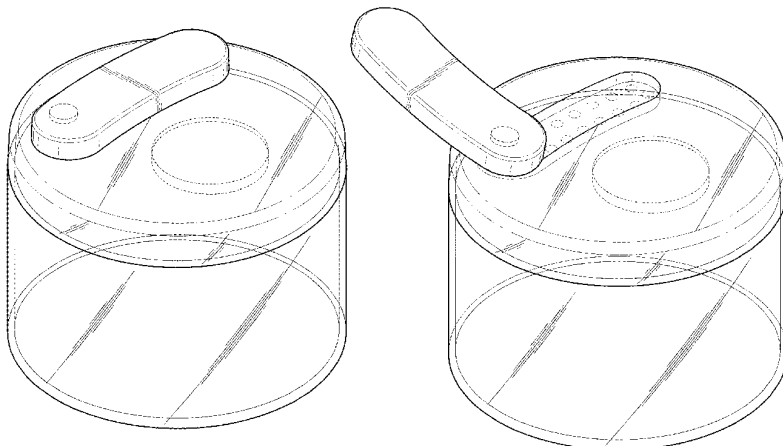
(57) **CLAIM**

The ornamental design for a container, as shown and described.

DESCRIPTION

FIG. 1 is a perspective view of a container showing our design with the plug in a close position;
 FIG. 2 is a rear elevation view of the container shown in FIG. 1;
 FIG. 3 is a right side elevation view of the container shown in FIG. 1;
 FIG. 4 is a front elevation view of the container shown in FIG. 1;
 FIG. 5 is a left side elevation view of the container shown in FIG. 1;
 FIG. 6 is a top plan view of the container shown in FIG. 1;
 FIG. 7 is a bottom plan view of the container shown in FIG. 1;
 FIG. 8 is perspective view of the container of FIG. 1 with the plug in an open position;
 FIG. 9 is a rear elevation view of the container shown in FIG. 8;
 FIG. 10 is a right side elevation view of the container shown in FIG. 8;
 FIG. 11 is a front elevation view of the container shown in FIG. 8;
 FIG. 12 is a left side elevation view of the container shown in FIG. 8;
 FIG. 13 is a top plan view of the container shown in FIG. 8; and,
 FIG. 14 is a bottom plan view of the container shown in FIG. 8.
 The broken lines depict portions of the article that form no part of the claimed design.

1 Claim, 12 Drawing Sheets



(58) **Field of Classification Search**

CPC B65D 25/54; B65D 25/106; B65D 25/22;
B65D 51/24; B65D 51/245; A47F 3/145;
A47F 7/286

See application file for complete search history.

(56) **References Cited**

U.S. PATENT DOCUMENTS

2,807,901 A 10/1957 Gilowitz
3,247,995 A 4/1966 Jensen
3,656,840 A 4/1972 Smith et al.
4,106,660 A 8/1978 Boyle
D255,546 S * 6/1980 Zaidmann D6/661
4,230,231 A 10/1980 Burnett et al.
4,284,200 A 8/1981 Bush et al.
D272,595 S 2/1984 Chase et al.
D292,887 S * 11/1987 Schouten D9/424
D303,428 S 9/1989 Wada
4,979,332 A 12/1990 Nagaya et al.
D322,323 S 12/1991 Moir
D340,187 S 10/1993 Forsyth
5,321,908 A 6/1994 Ushimaru
5,363,801 A 11/1994 Watters et al.
5,927,007 A 7/1999 Oda et al.
6,013,524 A 1/2000 Friars et al.
D455,552 S * 4/2002 Charness D3/302
6,571,972 B1 6/2003 Bouc et al.
D476,572 S 7/2003 Merritt
D480,307 S * 10/2003 Canamasas Puigbo D28/76
6,761,287 B2 7/2004 Caruso
D493,721 S 8/2004 Puigbo
D493,722 S * 8/2004 Cooper D9/504
D513,979 S 1/2006 Snedden et al.
D517,405 S 3/2006 Snedden et al.
D518,728 S 4/2006 Frantz
D523,752 S 6/2006 Bried
7,185,827 B2 3/2007 Quintard et al.
D547,177 S 7/2007 Sherman et al.
D588,450 S 3/2009 Snedden et al.
D590,706 S 4/2009 Doliwa et al.
D591,148 S 4/2009 Parikh et al.
D600,111 S 9/2009 Gerulski et al.
D621,603 S 8/2010 Traylor
D630,949 S 1/2011 Lim
D646,969 S 10/2011 Snedden et al.
D647,530 S 10/2011 Busch
8,079,478 B2 12/2011 Short et al.
D655,604 S 3/2012 Molina
D671,831 S * 12/2012 Moreau D9/428
D685,227 S 7/2013 Boonprasop
8,544,208 B2 10/2013 Huang
D696,948 S * 1/2014 Kim D9/454
D702,547 S 4/2014 Akana
D703,055 S * 4/2014 Park D9/454
8,925,725 B1 1/2015 Burnett
D731,891 S 6/2015 Servaire
D749,381 S 2/2016 Magri
D765,389 S * 9/2016 Martin D3/203.5
D769,079 S 10/2016 Kotani
D775,959 S 1/2017 Owen
D778,718 S 2/2017 Smith et al.
9,630,747 B2 4/2017 Smith et al.
D794,944 S * 8/2017 Martin D3/203.5
D806,543 S 1/2018 Finkbohner
D812,939 S 3/2018 Modlin
D814,831 S * 4/2018 Modlin D6/677
9,981,790 B1 5/2018 Ost
D821,738 S 7/2018 Small
D830,779 S 10/2018 Li et al.
D842,494 S 3/2019 Lee
D849,526 S 5/2019 Sanders et al.
D855,449 S * 8/2019 Smith D9/414
10,384,834 B2 8/2019 Smith et al.
D859,894 S * 9/2019 Smith D6/682.1
D861,475 S 10/2019 Giwani
D862,226 S 10/2019 Horn

D863,053 S * 10/2019 Smith D9/414
D866,334 S 11/2019 Wieland
D876,945 S * 3/2020 Smith D9/414
2003/0234208 A1 12/2003 Huang
2005/0092751 A1 5/2005 Alvares
2007/0051826 A1 3/2007 Schofield
2009/0057326 A1 3/2009 Opitz
2009/0261100 A1 10/2009 McMinn
2010/0300370 A1 12/2010 Hundt
2013/0313217 A1 11/2013 Yamamoto et al.
2016/0031605 A1 2/2016 Bean et al.
2016/0318672 A1 * 11/2016 Smith B65D 85/70
2017/0190482 A1 7/2017 Smith et al.
2017/0275075 A1 * 9/2017 Bamonte A47J 47/10
2018/0362215 A1 * 12/2018 Whetsel B65D 25/54
2019/0009967 A1 * 1/2019 Lung B65B 5/04
2019/0152648 A1 * 5/2019 Parve B65D 21/08
2020/0130901 A1 4/2020 Karll

OTHER PUBLICATIONS

Magazine AD for Bud Bar Displays™. Canna Con, Denver, Colorado, Jun. 1, 2015. 3 pages.
Magazine AD showing Bud Bar Displays™. Dope Magazine, Issue #7, Dec. 1, 2015. 2 pages.
Magazine AD for Bud Bar Displays™. MG-Magazine.com, Feb. 1, 2016. 2 pages.
Magazine AD for Bud Bar Displays™. Marijuana Business Magazine, vol. 2, Issue 4, Jul. 1, 2015. 2 pages.
Magazine AD for Bud Bar Displays™. Marijuana Venture Magazine, Jun. 1, 2017. 3 pages.
Magazine AD for Bud Bar Displays™. Marijuana Venture Magazine, vol. 1, Issue 7, Sep. 1, 2014. 3 pages.
Magazine AD for Bud Bar Displays™. The News Tribune, Aug. 15, 2014. 2 pages.
Pictures of Bud Bar Displays™ booth at the KushCon Convention, which features the Epods. Denver, Colorado, Dec. 1, 2010. 3 pages.
Website photo. Bud-Pod. www.budbardisplays.com. Published Jan. 1, 2016.
Website photo. BadBar. www.budbardisplays.com. Published Jan. 23, 2016.
Website photo. Aroma epod. www.budbardisplays.com. Published Jan. 23, 2016.
Website photo. Highlight display. www.budbardisplays.com. Published Jan. 23, 2016.
Website photo. 3 Tier Lighted Display. www.budbardisplays.com. Published Jul. 9, 2017.
Website photo. Bud bar cabinet. www.budbardisplays.com. Published Jul. 9, 2017.
Website photo. Budtender1. www.budbardisplays.com. Published Jul. 9, 2017.
Website photo. Canna pod. www.budbardisplays.com. Published Jul. 9, 2017.
Website photo. Eco Pod Cabinet. www.budbardisplays.com. Published Jul. 9, 2017.
Website photo. Bud Pod. www.budbardisplays.com. Published Jul. 9, 2017.
Website photo. e-Pod. www.budbardisplays.com. Published Jul. 9, 2017.
Website photo. Sample pod package. www.budbardisplays.com. Published Jul. 9, 2017.
Website photo. Security seals for pods. www.budbardisplays.com. Published Jul. 9, 2017.
Website photo. Tether on Bud Pod3. www.budbardisplays.com. Published Jul. 9, 2017.
Bud Pod and Bud pod security tether close up. Publication on Facebook Oct. 21, 2016. <https://www.facebook.com/BudBarDisplays/photos/a.1250515684990657/1250523611656531/?type=3&theater>.
Budtender Demo-Bud Bar Displays. Publication on youtube dated May 7, 2017—<https://www.youtube.com/watch?v=JRd6B1ZXZIk>.
Facebook post showing sample containers, Oct. 22, 2016. <https://www.facebook.com/BudBarDisplays/photos/a.1250515684990657/1251439121564980/?type=3&theater>.

(56)

References Cited

OTHER PUBLICATIONS

Facebook post showing sample containers, Oct. 22, 2016. <https://www.facebook.com/BudBarDisplays/photos/a.1250515684990657/1251439121564980/?type=3&theater> (continued).
Website photo. cannabisaroma cannapod. www.budbardisplays.com. Published Jan. 23, 2016.
Author Unknown; Bud Pod Seals Airtight for Freshness; Published Sep. 4, 2018; Retrieved Nov. 5, 2019 from www.budbardisplays.com/product/pods/bud-pod.

* cited by examiner

FIG. 1

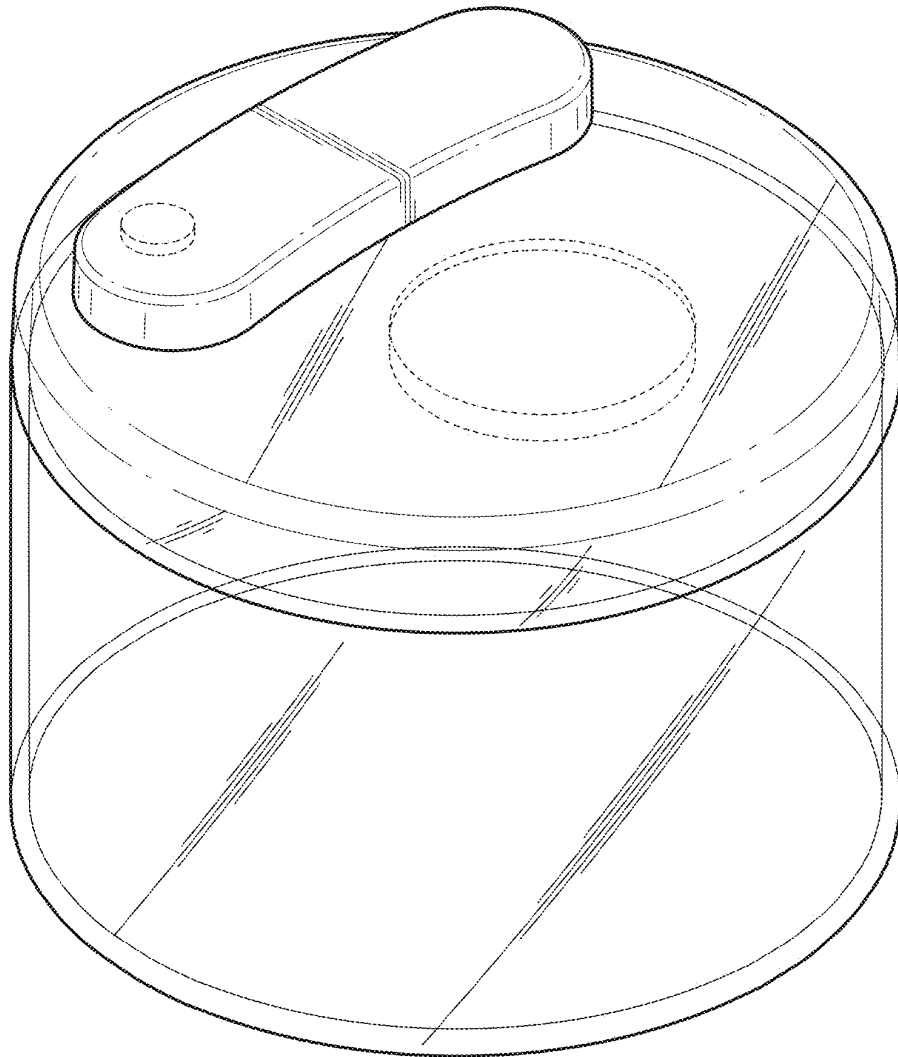


FIG. 2

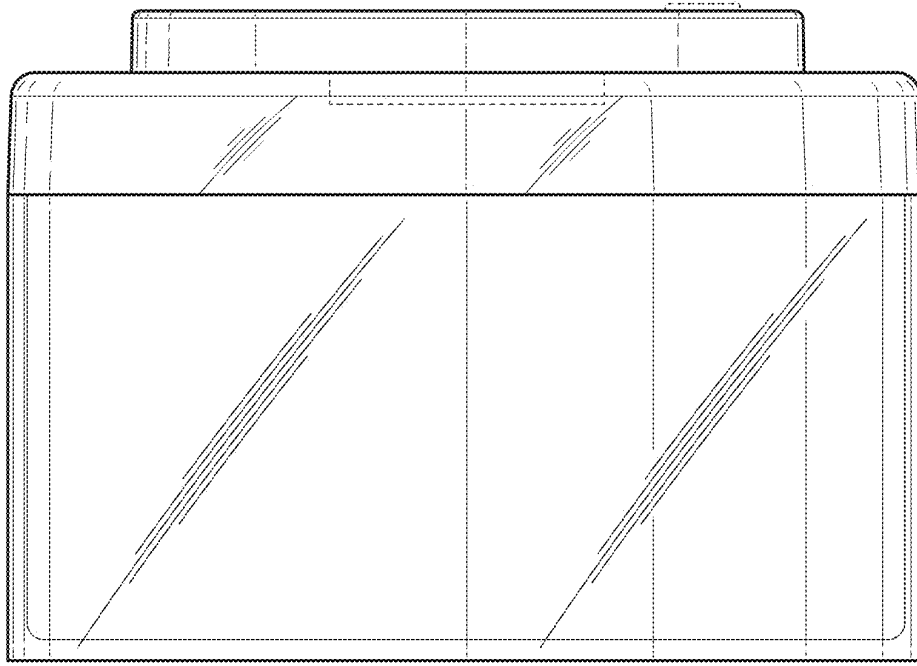


FIG. 3

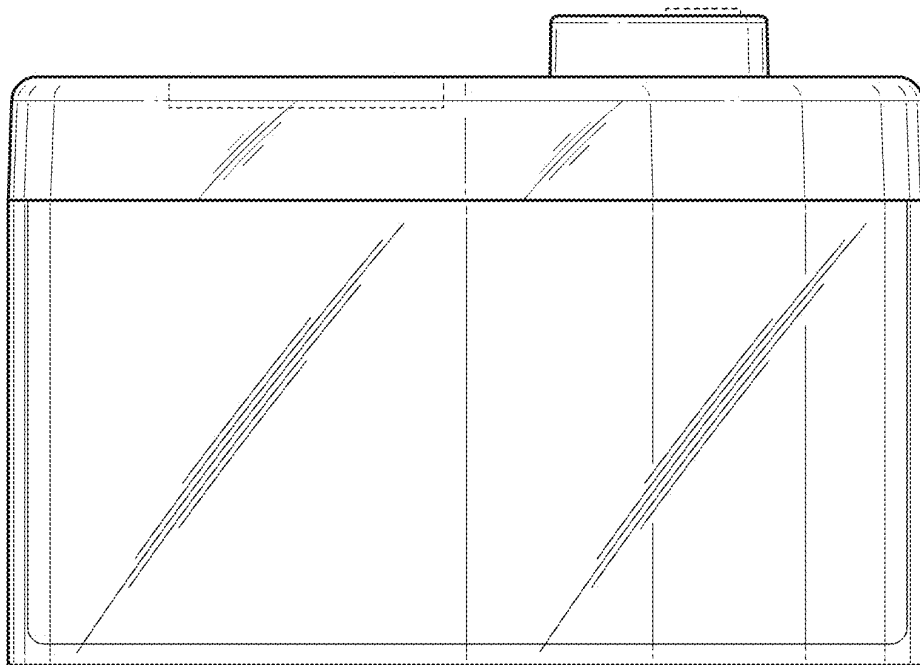


FIG. 4

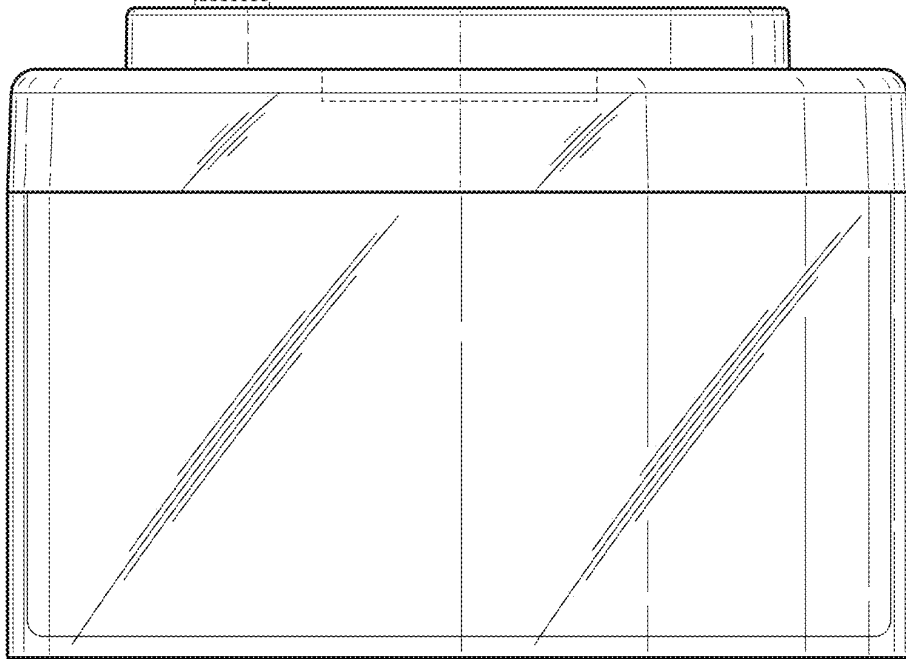


FIG. 5

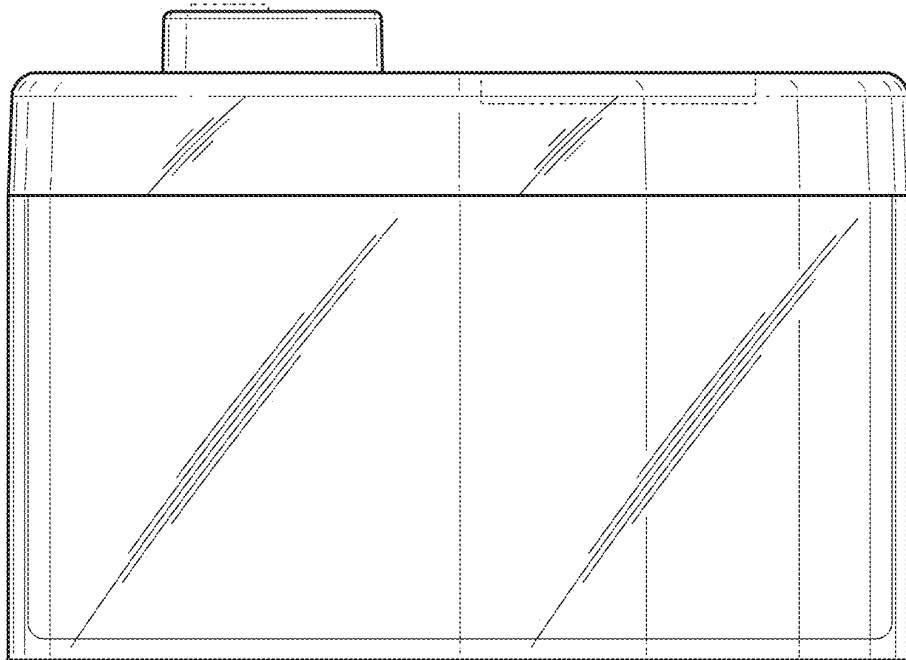


FIG. 6

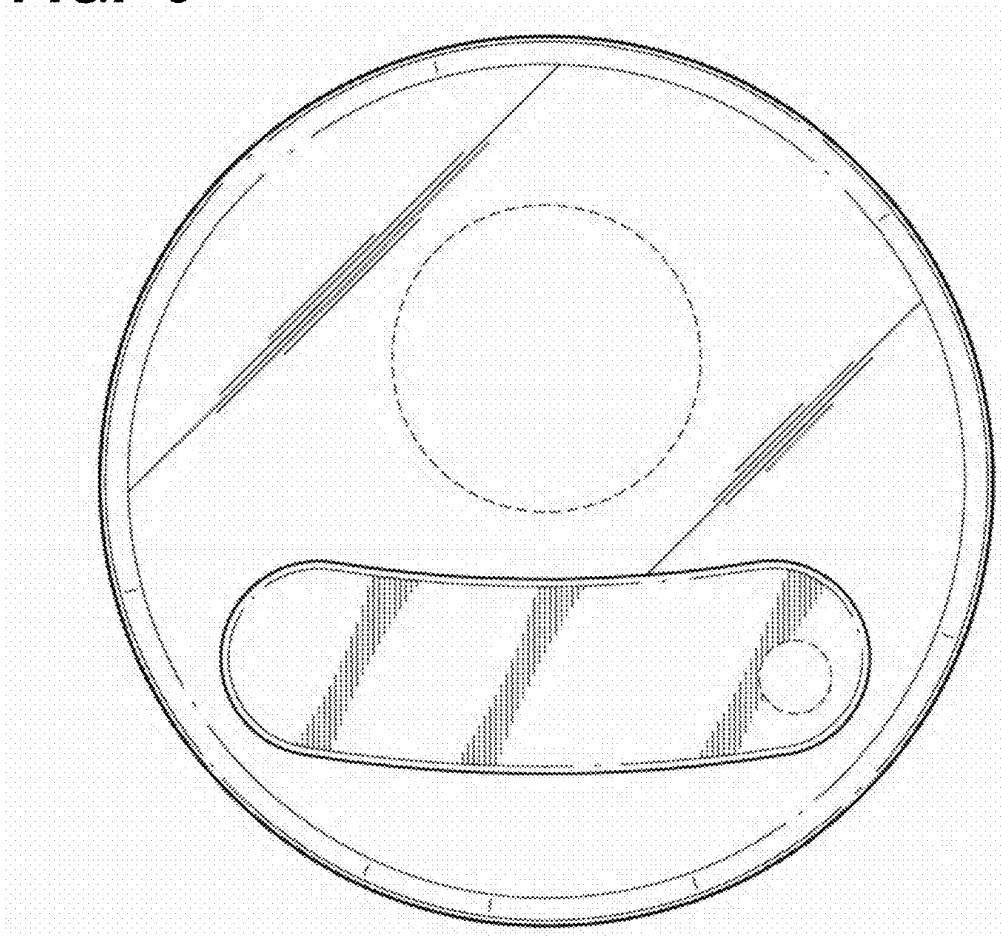


FIG. 7

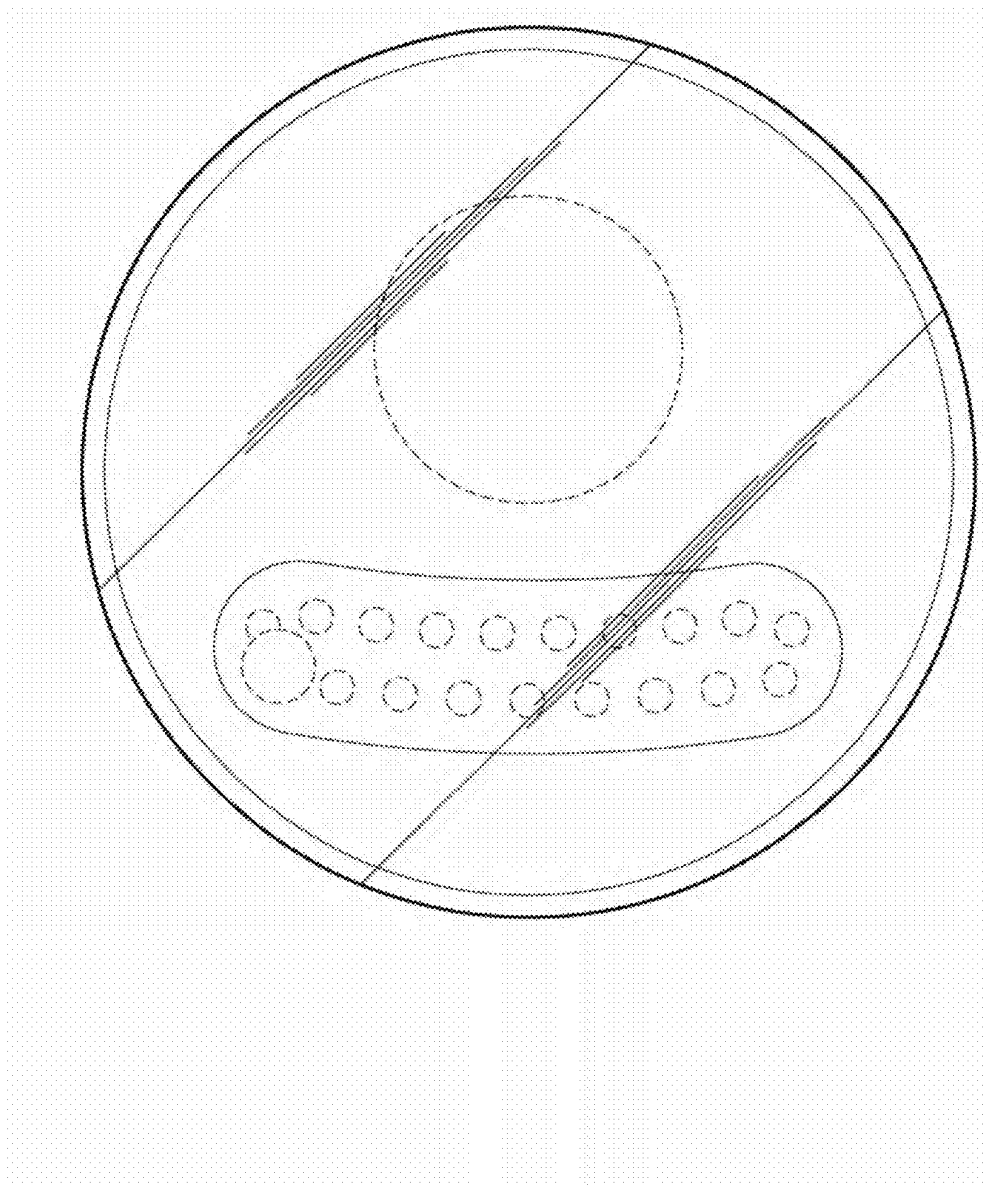
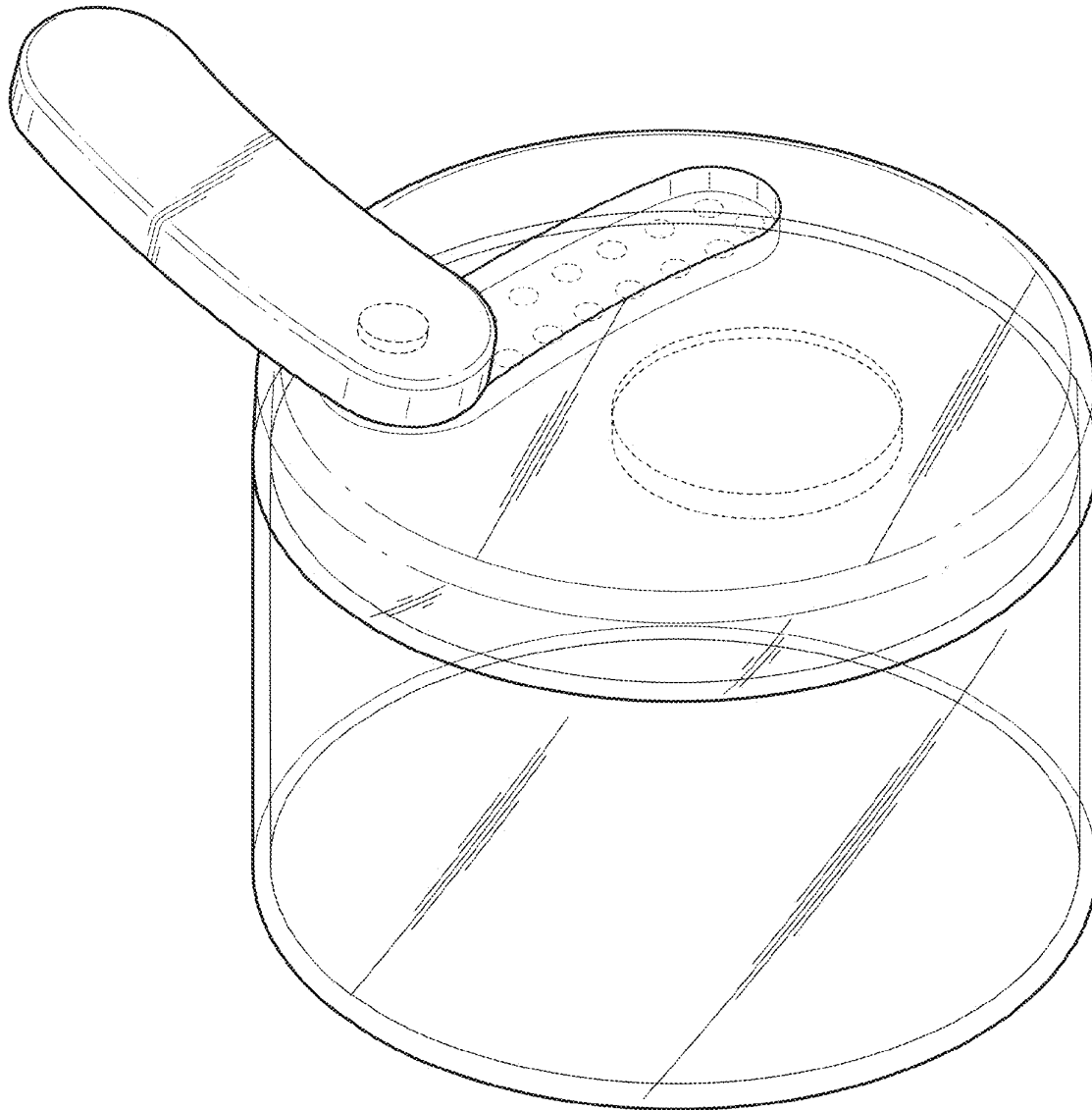


FIG. 8



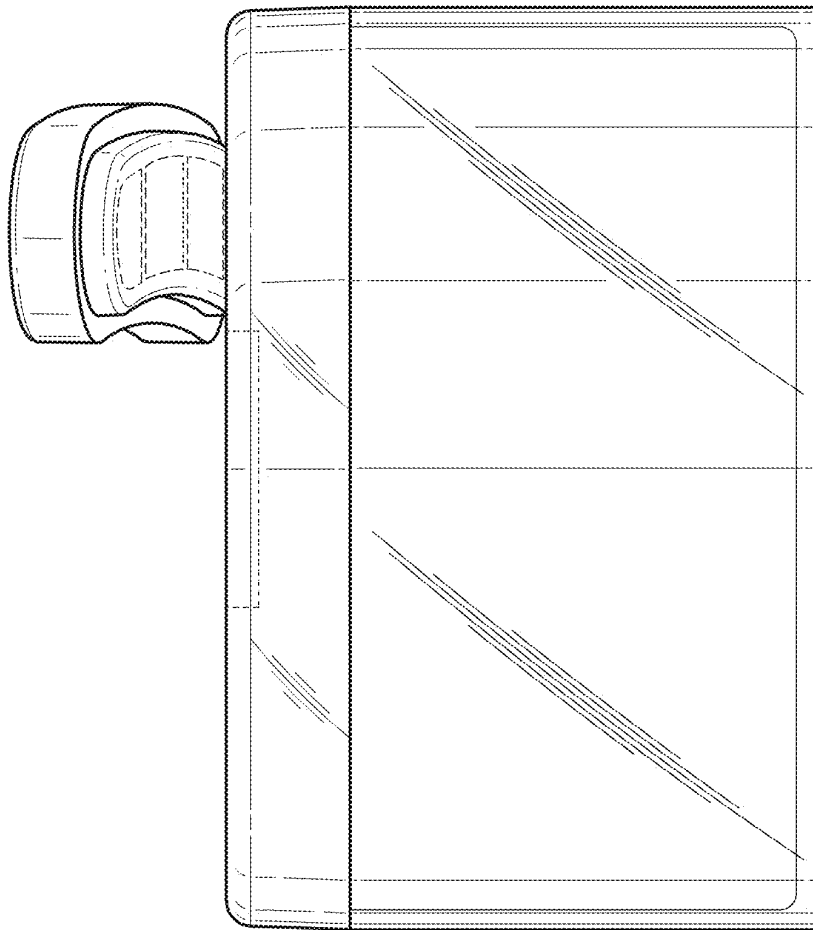


FIG. 9

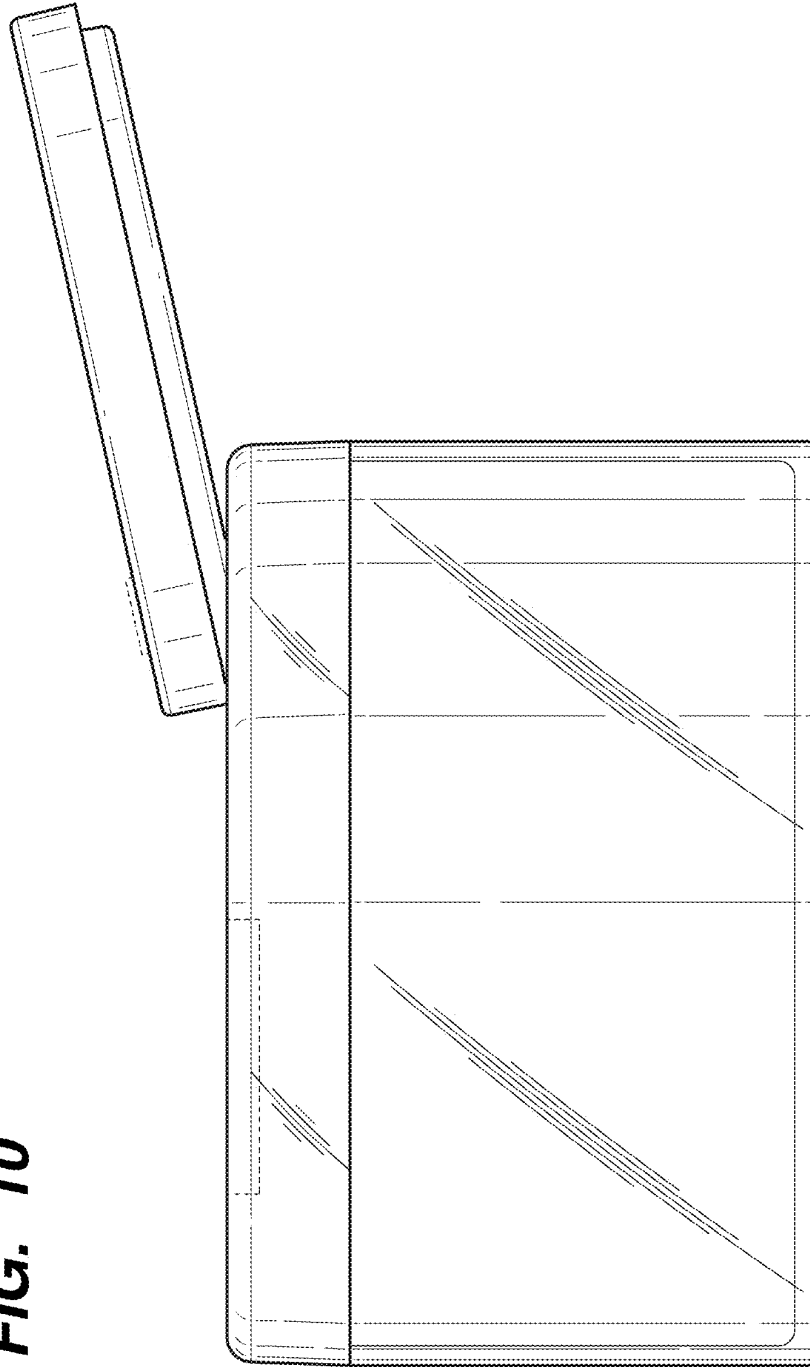


FIG. 10

FIG. 11

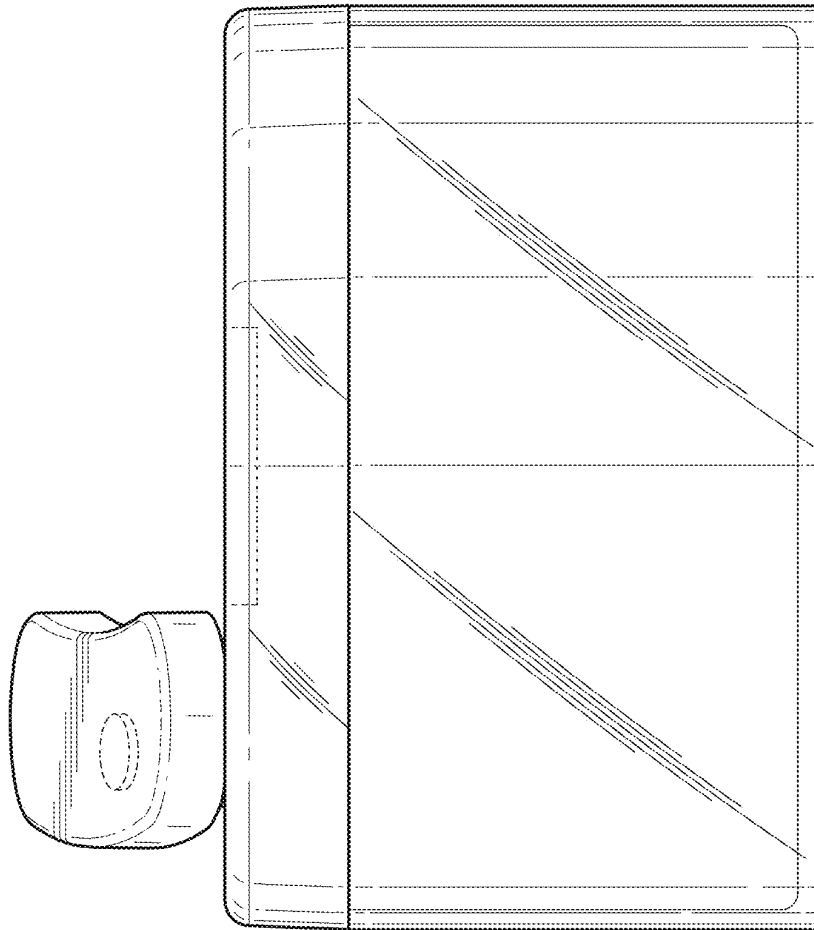


FIG. 12

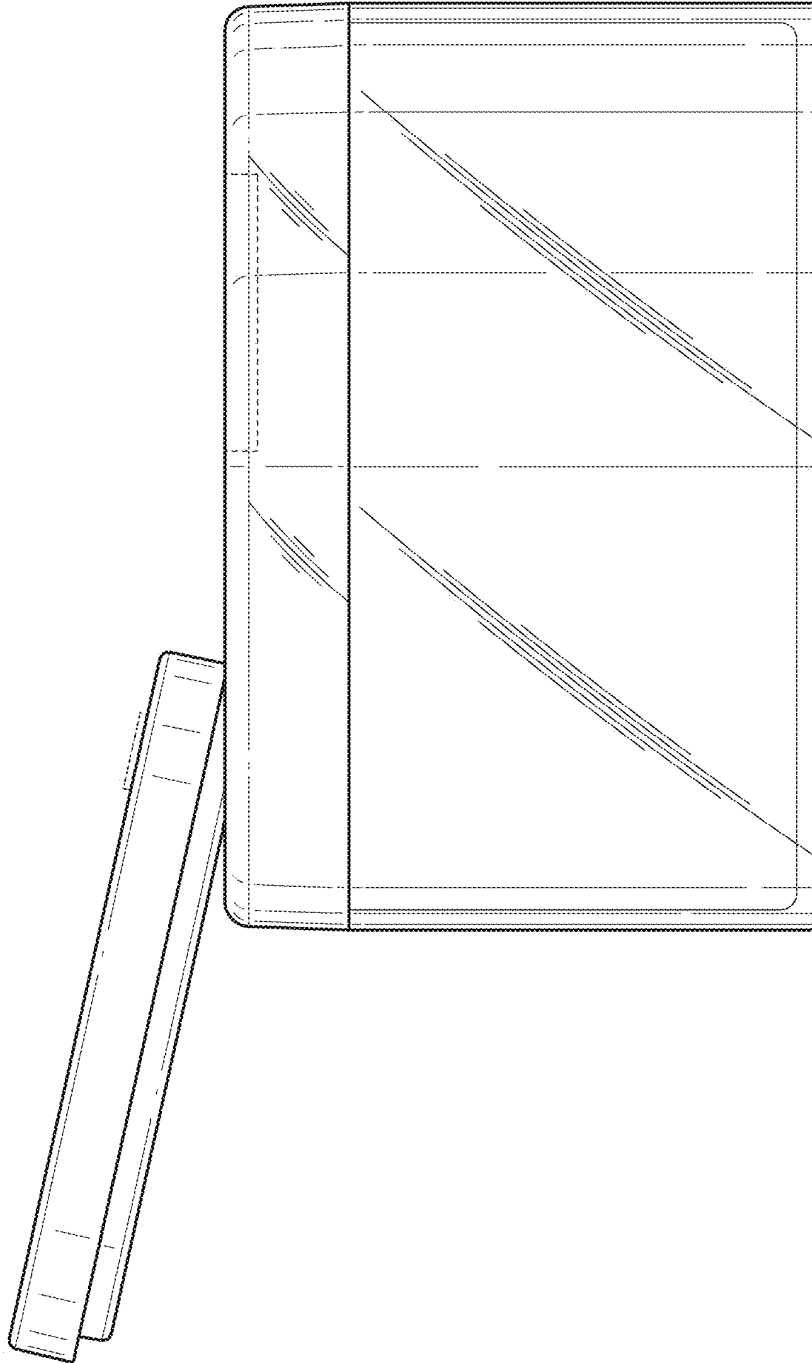


FIG. 13

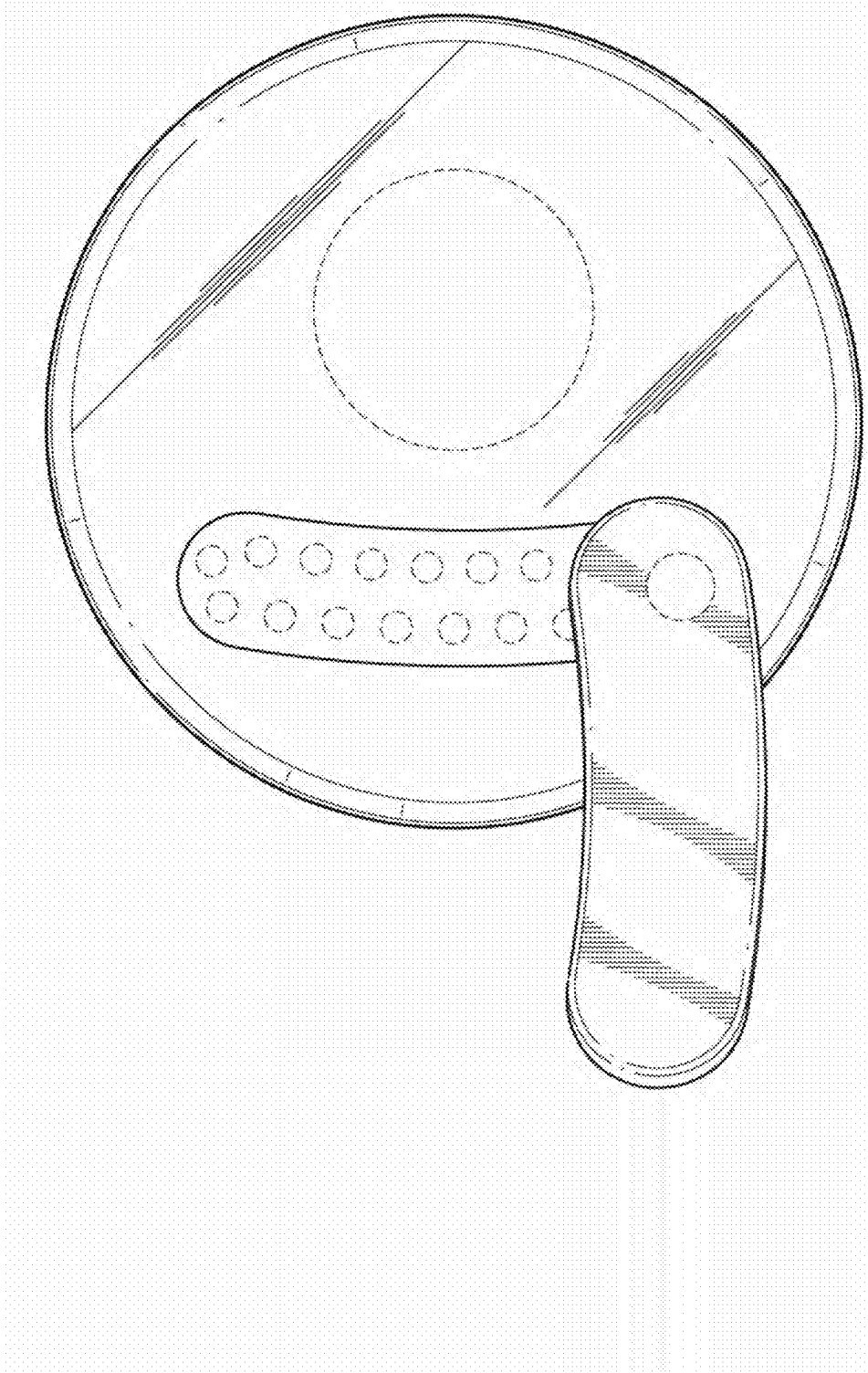


FIG. 14

