



US00D887843S

(12) **United States Design Patent**  
**Smith et al.**

(10) **Patent No.:** **US D887,843 S**  
(45) **Date of Patent:** **\*\* Jun. 23, 2020**

- (54) **CONTAINER LID**
- (71) Applicants: **William Thomas Smith**, Fair Oaks, CA (US); **Cheryl Ann Smith**, Fair Oaks, CA (US)
- (72) Inventors: **William Thomas Smith**, Fair Oaks, CA (US); **Cheryl Ann Smith**, Fair Oaks, CA (US)
- (73) Assignee: **ALL PLASTIC INC.**, Gold River, CA (US)
- (\*\*) Term: **15 Years**
- (21) Appl. No.: **29/665,425**
- (22) Filed: **Oct. 3, 2018**

4,106,660	A *	8/1978	Boyle	.....	B65D 47/10
					220/266
D255,546	S *	6/1980	Zaidmann	.....	D6/661
4,230,231	A	10/1980	Burnett et al.		
4,284,200	A	8/1981	Bush et al.		
D272,595	S	2/1984	Chase et al.		
4,979,332	A	12/1990	Nagaya et al.		
D340,187	S *	10/1993	Forsyth	.....	D9/449
5,321,908	A	6/1994	Ushimaru		
5,363,801	A	11/1994	Watters et al.		
5,927,007	A	7/1999	Oda et al.		
6,013,524	A	1/2000	Friars et al.		
6,571,972	B1	6/2003	Bouc et al.		
D480,307	S *	10/2003	Canamasas Puigbo	.....	D28/76
6,761,287	B2	7/2004	Caruso		
D493,722	S *	8/2004	Cooper	.....	D9/504
D513,979	S	1/2006	Snedden et al.		
D517,405	S	3/2006	Snedden et al.		
7,185,827	B2	3/2007	Quintard et al.		
D547,177	S	7/2007	Sherman et al.		
D588,450	S	3/2009	Snedden et al.		
D590,706	S	4/2009	Doliwa et al.		
D591,148	S	4/2009	Parikh et al.		
D600,111	S	9/2009	Gerulski et al.		
D630,949	S	1/2011	Lim		
D646,969	S	10/2011	Snedden et al.		
D647,530	S *	10/2011	Busch	.....	D14/480.3
8,079,478	B2	12/2011	Short et al.		
D655,604	S *	3/2012	Molina	.....	D9/436
D685,227	S	7/2013	Boonprasop		
8,544,208	B2	10/2013	Huang		
D696,948	S *	1/2014	Kim	.....	D9/454
D703,055	S *	4/2014	Park	.....	D9/454
D749,381	S	2/2016	Magri		
D765,389	S *	9/2016	Martin	.....	D3/203.5
D769,079	S *	10/2016	Kotani	.....	D7/608
D778,718	S	2/2017	Smith et al.		
9,630,747	B2	4/2017	Smith et al.		
D794,944	S *	8/2017	Martin	.....	D3/203.5
D806,543	S *	1/2018	Finkbohner	.....	D9/443
D812,939	S	3/2018	Modlin		
D814,831	S *	4/2018	Modlin	.....	D6/677
D830,779	S	10/2018	Li et al.		
D849,526	S	5/2019	Sanders et al.		
D855,449	S *	8/2019	Smith	.....	D9/414
10,384,834	B2	8/2019	Smith et al.		
D859,894	S *	9/2019	Smith	.....	D6/682.1
D863,053	S *	10/2019	Smith	.....	D9/414
2003/0234208	A1	12/2003	Huang		
2005/0092751	A1 *	5/2005	Alvares	.....	B65D 21/0219
					220/270
2007/0051826	A1	3/2007	Schofield		
2009/0057326	A1	3/2009	Opitz		

**Related U.S. Application Data**

- (63) Continuation-in-part of application No. 29/663,940, filed on Sep. 20, 2018, and a continuation-in-part of application No. 29/663,942, filed on Sep. 20, 2018, and a continuation-in-part of application No. 29/659,740, filed on Aug. 10, 2018.

- (51) **LOC (12) Cl.** ..... **09-07**
- (52) **U.S. Cl.**  
USPC ..... **D9/454; D6/677; D9/428; D9/504**

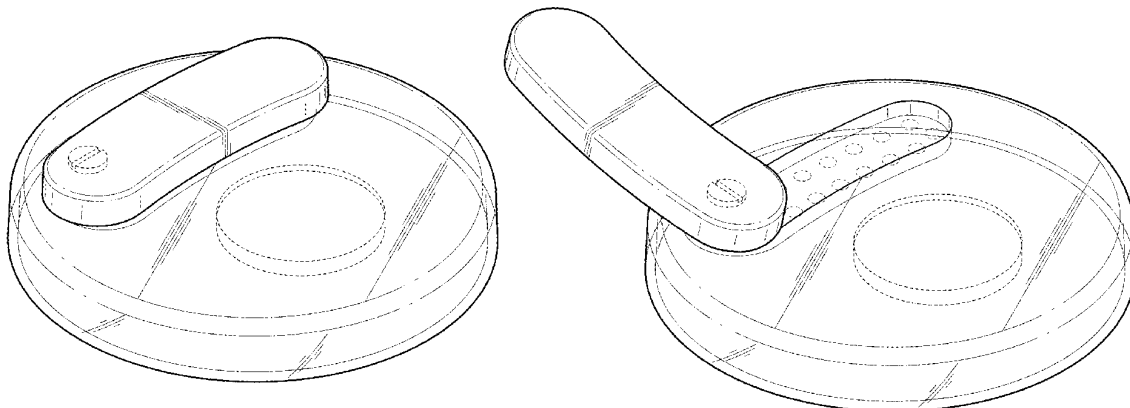
- (58) **Field of Classification Search**  
USPC ..... D9/414, 418, 422, 423, 424, 428, 436, D9/454, 503, 504, 549, 721; D6/677  
CPC ..... B65D 25/54; B65D 25/106; B65D 25/22; B65D 51/24; B65D 51/245; A47F 3/145; A47F 7/286

See application file for complete search history.

(56) **References Cited**

**U.S. PATENT DOCUMENTS**

D128,936	S *	8/1941	Foley	.....	D3/203.2
2,807,901	A	10/1957	Gilowitz		
3,247,995	A	4/1966	Jensen		
3,656,840	A	4/1972	Smith et al.		



2009/0261100	A1	10/2009	McMinn	
2010/0300370	A1	12/2010	Hundt	
2013/0313217	A1	11/2013	Yamamoto et al.	
2016/0031605	A1	2/2016	Bean et al.	
2016/0318672	A1*	11/2016	Smith .....	B65D 85/70
2017/0190482	A1	7/2017	Smith et al.	
2017/0275075	A1*	9/2017	Bamonte .....	A47J 47/10
2018/0362215	A1*	12/2018	Whetsel .....	B65D 25/54
2019/0009967	A1*	1/2019	Lung .....	B65B 5/04
2019/0152648	A1*	5/2019	Parve .....	B65D 21/08

FOREIGN PATENT DOCUMENTS

EP 1779885 A1 5/2007

OTHER PUBLICATIONS

Bud Pod and Bud pod security tether close up. Publication on Facebook Oct. 21, 2016. <https://www.facebook.com/BudBarDisplays/photos/a.1250515684990657/1250523611656531/?type=3&theater>.

Budtender Demo-Bud Bar Displays. Publication on youtube dated May 7, 2017—<https://www.youtube.com/watch?v=JRd6B1ZXZlk>.

Magazine AD for Bud Bar Displays™. 3rd Annual Marijuana Business Conference & Expo, Las Vegas, NV, Nov. 1, 2014. 3 pages.

Magazine AD for Bud Bar Displays™. CANNA CON, Denver, Colorado, Jun. 1, 2015. 3 pages.

Magazine AD for Bud Bar Displays™. Marijuana Business Magazine, vol. 1, Issue 4, Jul. 1, 2015. 2 pages.

Magazine AD for Bud Bar Displays™. Marijuana Venture Magazine, Jun. 1, 2017. 3 pages.

Magazine AD for Bud Bar Displays™. Marijuana Venture Magazine, vol. 1, Issue 7, Sep. 1, 2014. 3 pages.

Magazine AD for Bud Bar Displays™. MG-Magazine.com, Feb. 1, 2016. 2 pages.

Magazine AD for Bud Bar Displays™. The News Tribune, Aug. 15, 2014. 2 pages.

Magazine AD showing Bud Bar Displays™. Dope Magazine, Issue #7, Dec. 1, 2015. 2 pages.

Pictures of Bud Bar Displays™ booth at the KushCon Convention, which features the Epods. Denver, Colorado, Dec. 1, 2010. 3 pages.

Website photo. 3 Tier Lighted Display. [www.budbardisplays.com](http://www.budbardisplays.com). Published Jul. 9, 2017.

Website photo. Aroma epod. [www.budbardisplays.com](http://www.budbardisplays.com). Published Jan. 23, 2016.

Website photo. BudBar. [www.budbardisplays.com](http://www.budbardisplays.com). Published Jan. 23, 2016.

Website photo. Bud bar cabinet. [www.budbardisplays.com](http://www.budbardisplays.com). Published Jul. 9, 2017.

Website photo. Bud Pod. [www.budbardisplays.com](http://www.budbardisplays.com). Published Jul. 9, 2017.

Website photo. Bud-Pod. [www.budbardisplays.com](http://www.budbardisplays.com). Published Jan. 23, 2016.

Website photo. Budtender1. [www.budbardisplays.com](http://www.budbardisplays.com). Published Jul. 9, 2017.

Website photo. Canna pod. [www.budbardisplays.com](http://www.budbardisplays.com). Published Jul. 9, 2017.

Website photo. cannabisaroma cannapod. [www.budbardisplays.com](http://www.budbardisplays.com). Published Jan. 23, 2016.

Website photo. e-Pod. [www.budbardisplays.com](http://www.budbardisplays.com). Published Jul. 9, 2017.

Website photo. Eco Pod Cabinet. [www.budbardisplays.com](http://www.budbardisplays.com). Published Jul. 9, 2017.

Website photo. Epod. [www.budbardisplays.com](http://www.budbardisplays.com). Published Jan. 23, 2016.

Website photo. Highlight display. [www.budbardisplays.com](http://www.budbardisplays.com). Published Jan. 23, 2016.

Website photo. Sample pod package. [www.budbardisplays.com](http://www.budbardisplays.com). Published Jul. 9, 2017.

Website photo. Security seals for pods. [www.budbardisplays.com](http://www.budbardisplays.com). Published Jul. 9, 2017.

Website photo. Tether on Bud Pod3. [www.budbardisplays.com](http://www.budbardisplays.com). Published Jul. 9, 2017.

Facebook post showing sample containers, Oct. 22, 2016. <https://www.facebook.com/BudBarDisplays/photos/a.1250515684990657/1251439121564980/?type=3&theater> (1 page).

U.S. Appl. No. 29/659,740, filed Aug. 10, 2018, William Thomas Smith.

U.S. Appl. No. 29/663,940, filed Sep. 20, 2018, William Thomas Smith.

U.S. Appl. No. 29/663,942, filed Sep. 20, 2018, William Thomas Smith.

Author Unknown; Bud Pod Seals Airtight for Freshness; Published Sep. 14, 2018; Retrieved Nov. 5, 2019 from [www.budbardisplays.com/product/pods/bud-pod](http://www.budbardisplays.com/product/pods/bud-pod).

\* cited by examiner

Primary Examiner — Lauren R Calve  
(74) Attorney, Agent, or Firm — Ballard Spahr LLP

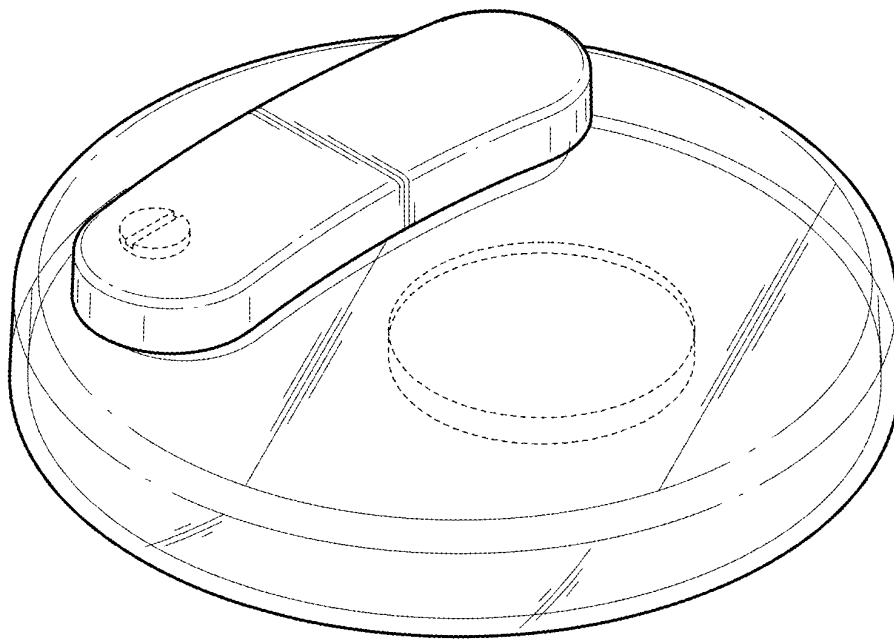
(57)

CLAIM

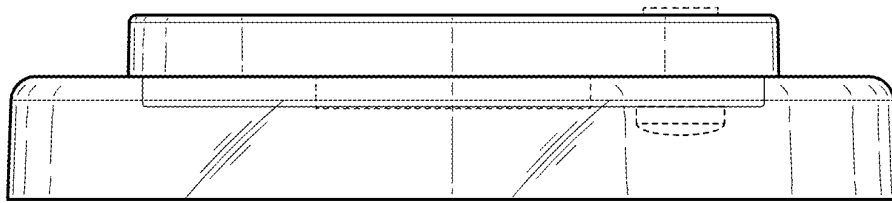
The ornamental design for a container lid, as shown and described.

DESCRIPTION

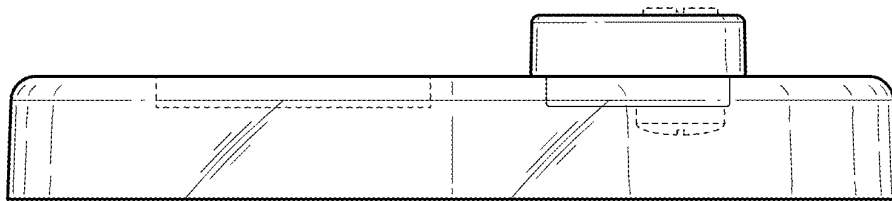
FIG. 1 is a perspective view of a container lid, in which the plug is in a closed position;  
 FIG. 2 is a rear view thereof;  
 FIG. 3 is a right side view thereof;  
 FIG. 4 is a front view thereof;  
 FIG. 5 is a left side view thereof;  
 FIG. 6 is a top plan view thereof;  
 FIG. 7 is a bottom plan view thereof;  
 FIG. 8 is a perspective view thereof shown in use;  
 FIG. 9 is a perspective view of container lid shown in FIG. 1, in which the plug is in an open position;  
 FIG. 10 is a rear view thereof;  
 FIG. 11 is a right side view thereof;  
 FIG. 12 is a front view thereof;  
 FIG. 13 is a left side view thereof;  
 FIG. 14 is a top plan view thereof;  
 FIG. 15 is a bottom plan view thereof;  
 FIG. 16 is a perspective view thereof shown in use;  
 FIG. 17 is a perspective view of a container lid according to a second embodiment, in which the plug is in a closed position;  
 FIG. 18 is a rear view thereof;  
 FIG. 19 is a right side view thereof;  
 FIG. 20 is a front view thereof;  
 FIG. 21 is a left side view thereof;  
 FIG. 22 is a top plan view thereof;  
 FIG. 23 is a bottom plan view thereof;  
 FIG. 24 is a perspective view thereof shown in use;  
 FIG. 25 is a perspective view of the container lid of FIG. 17, in which the plug is in an open position;  
 FIG. 26 is a rear view thereof;  
 FIG. 27 is a right side view thereof;  
 FIG. 28 is a front view thereof;  
 FIG. 29 is a left side view thereof;  
 FIG. 30 is a top plan view thereof;  
 FIG. 31 is a bottom plan view thereof; and,  
 FIG. 32 is a perspective view thereof shown in use.  
 The broken lines depict portions of the article that form no part of the claimed design.



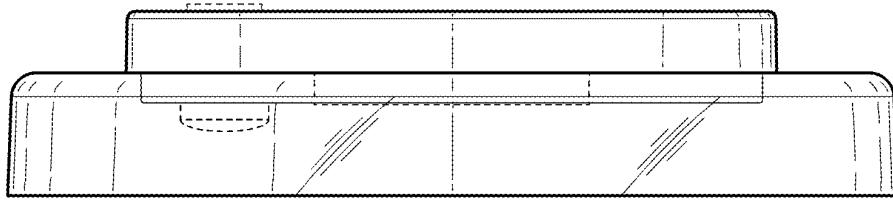
**FIG. 1**



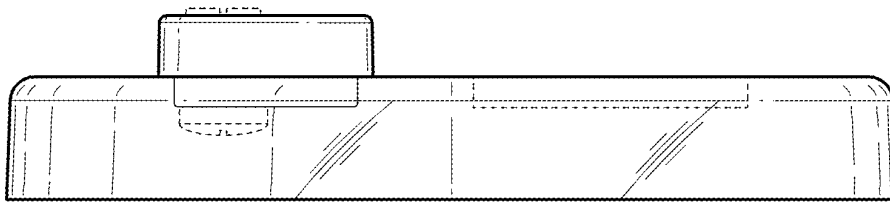
**FIG. 2**



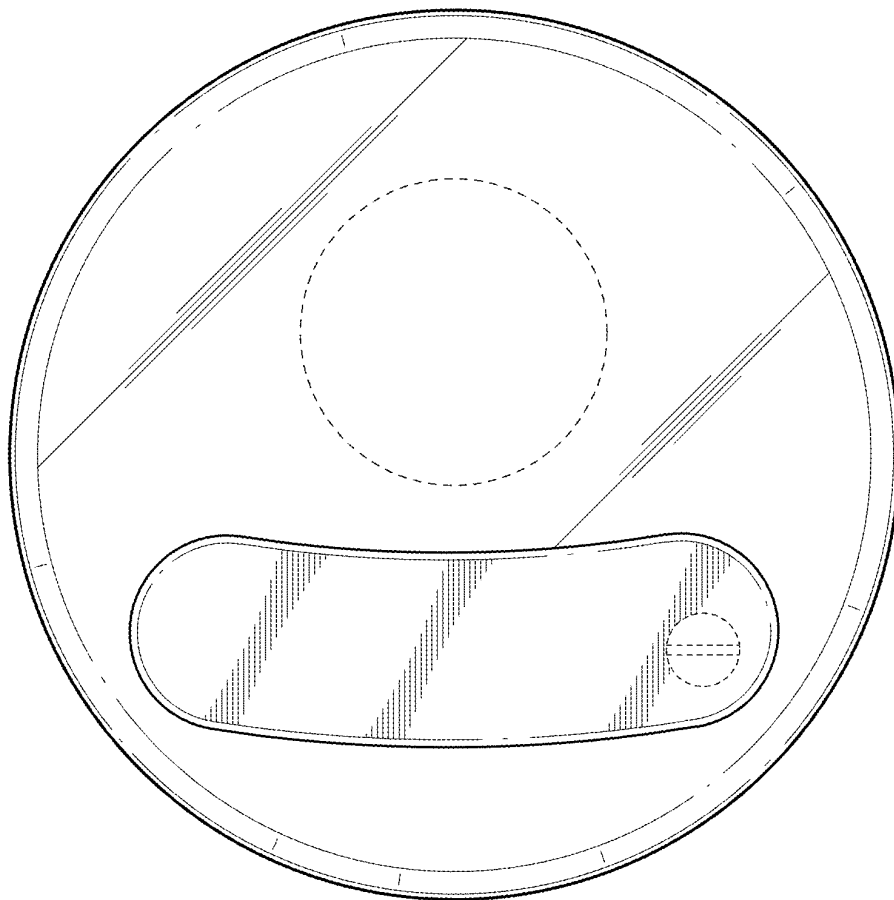
**FIG. 3**



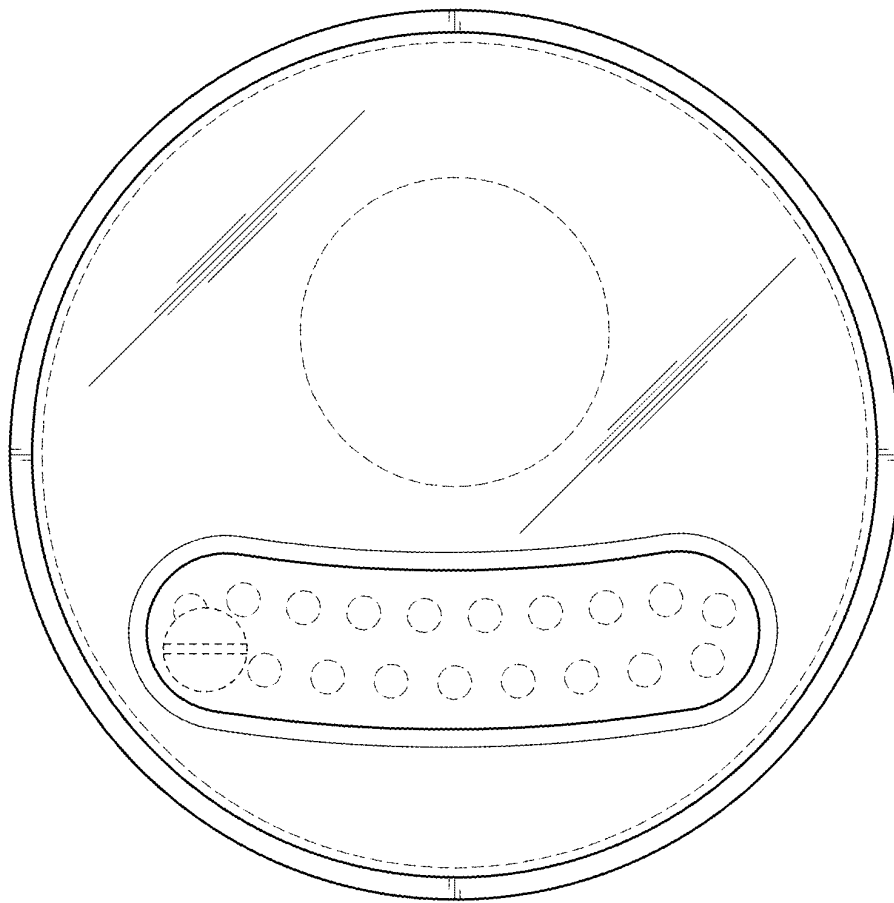
**FIG. 4**



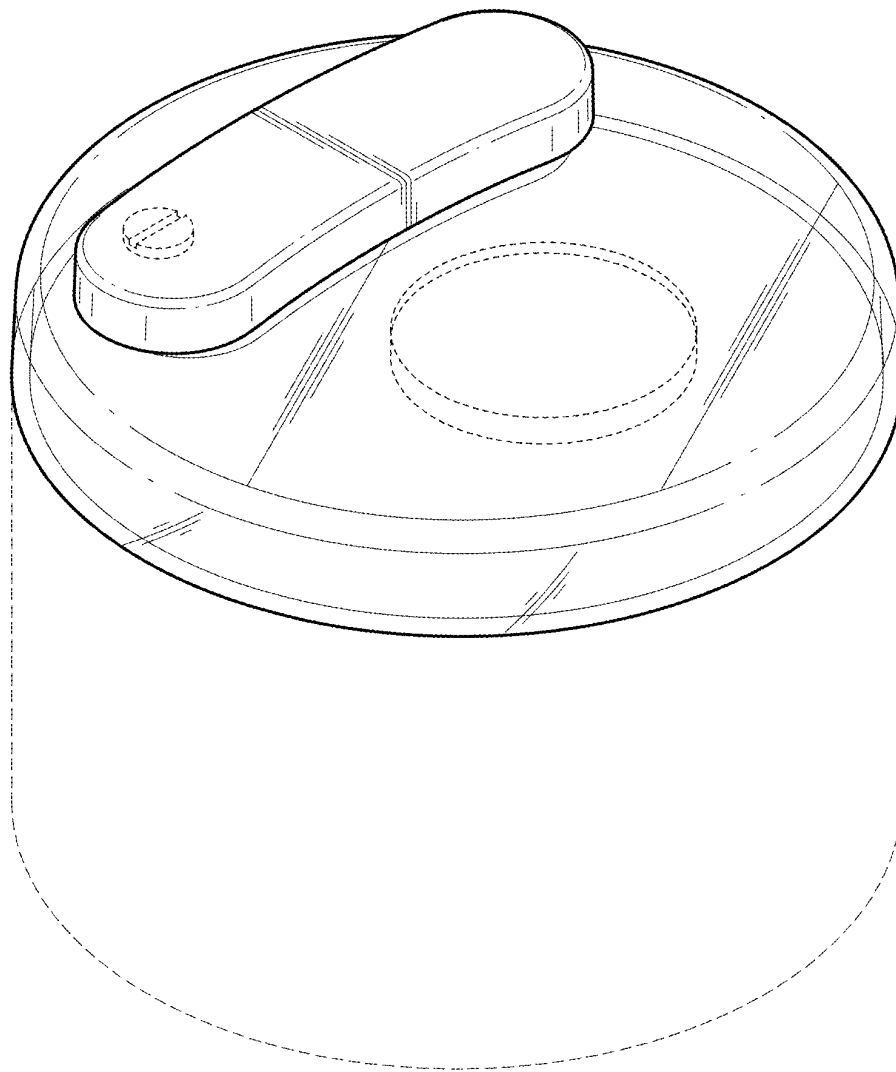
**FIG. 5**



**FIG. 6**



**FIG. 7**



**FIG. 8**



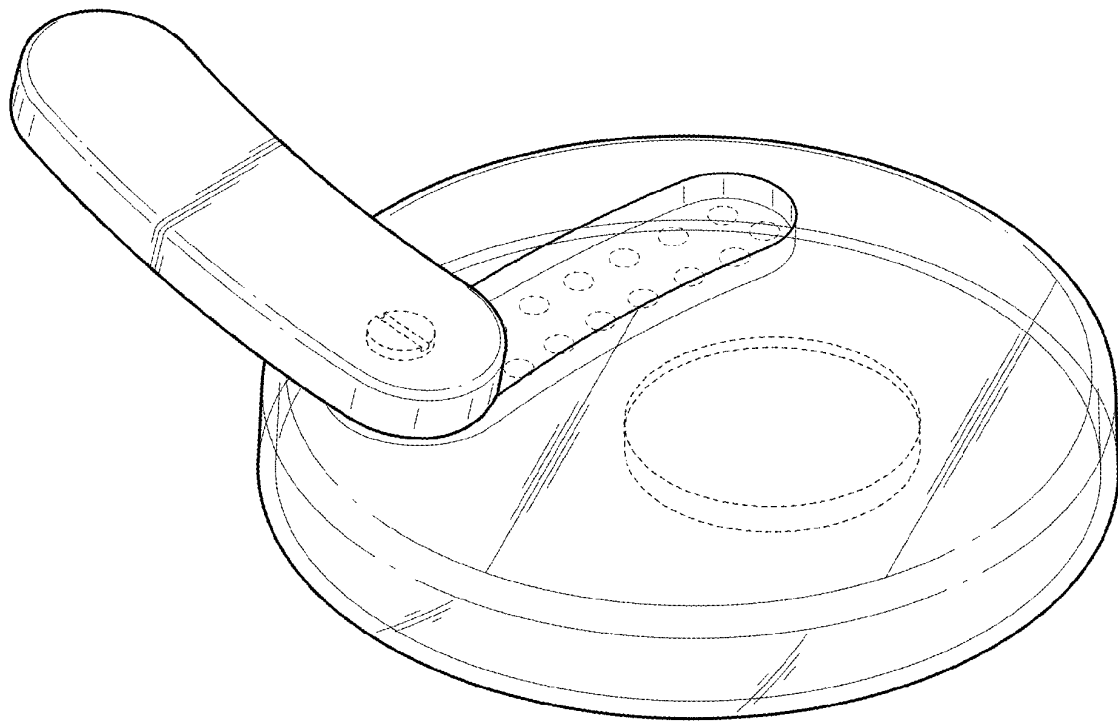


FIG. 9

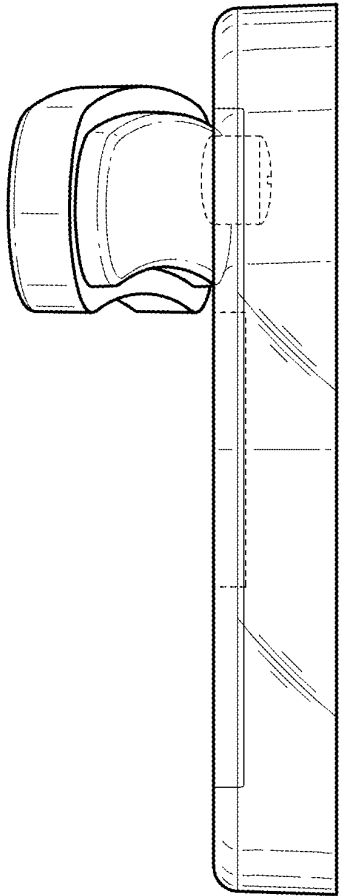


FIG. 10

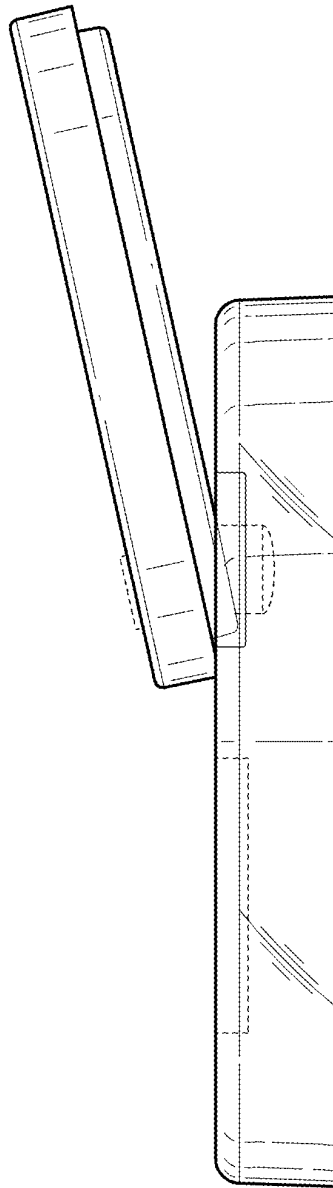


FIG. 11

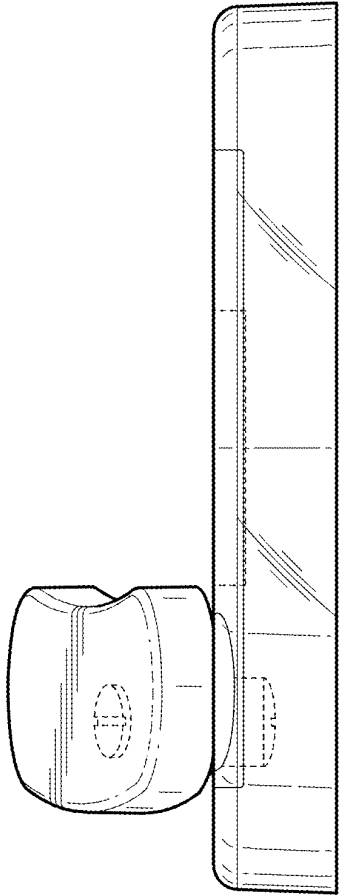


FIG. 12

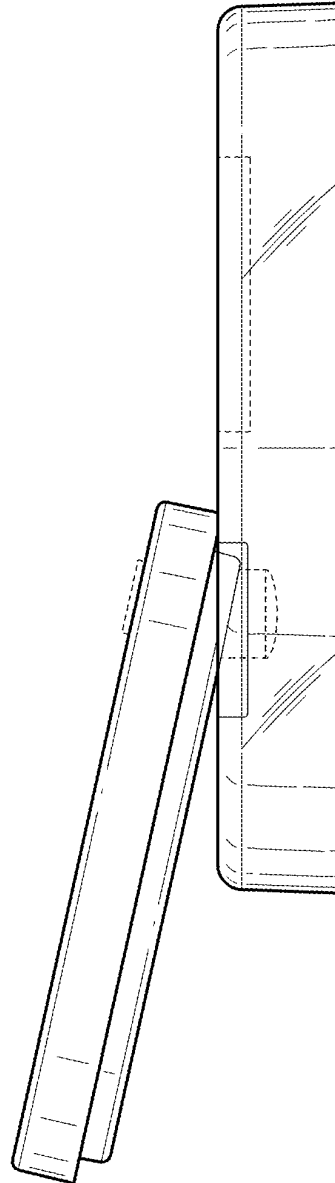


FIG. 13

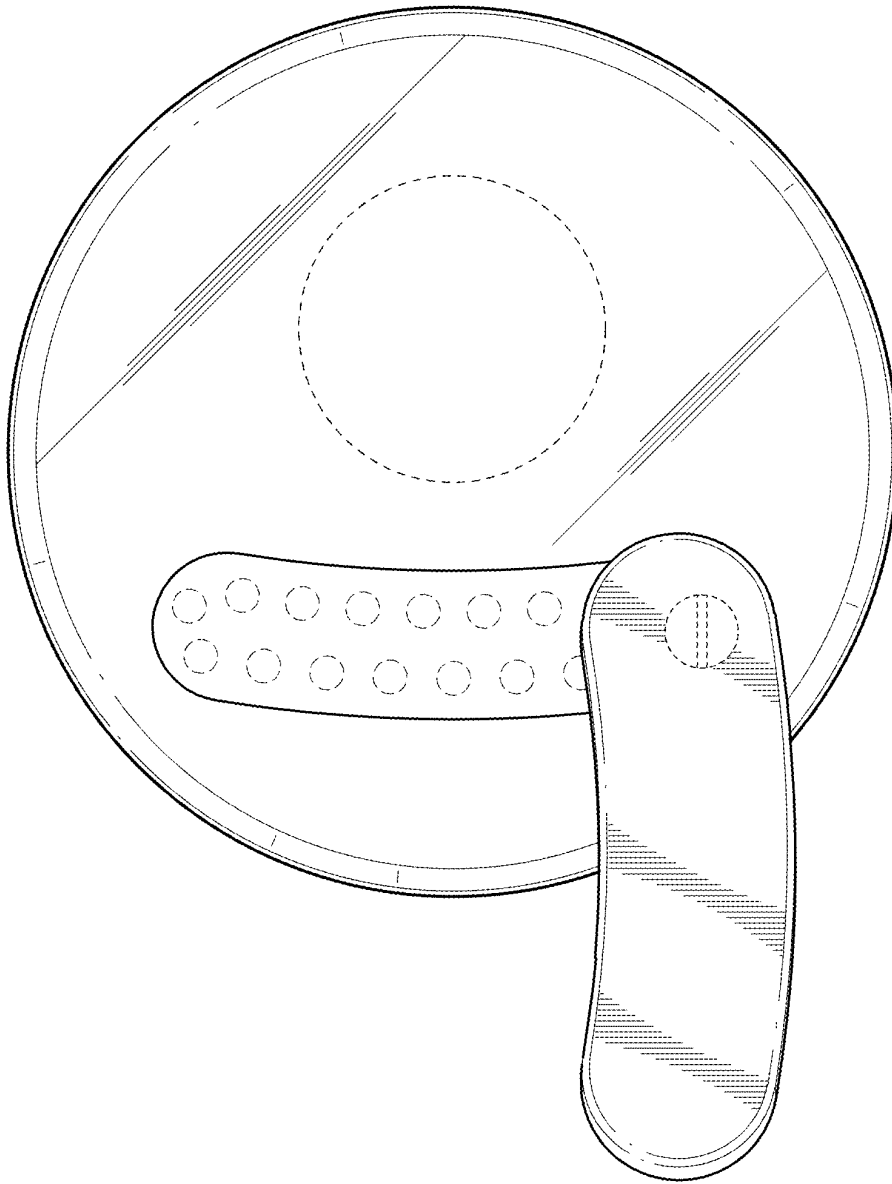


FIG. 14

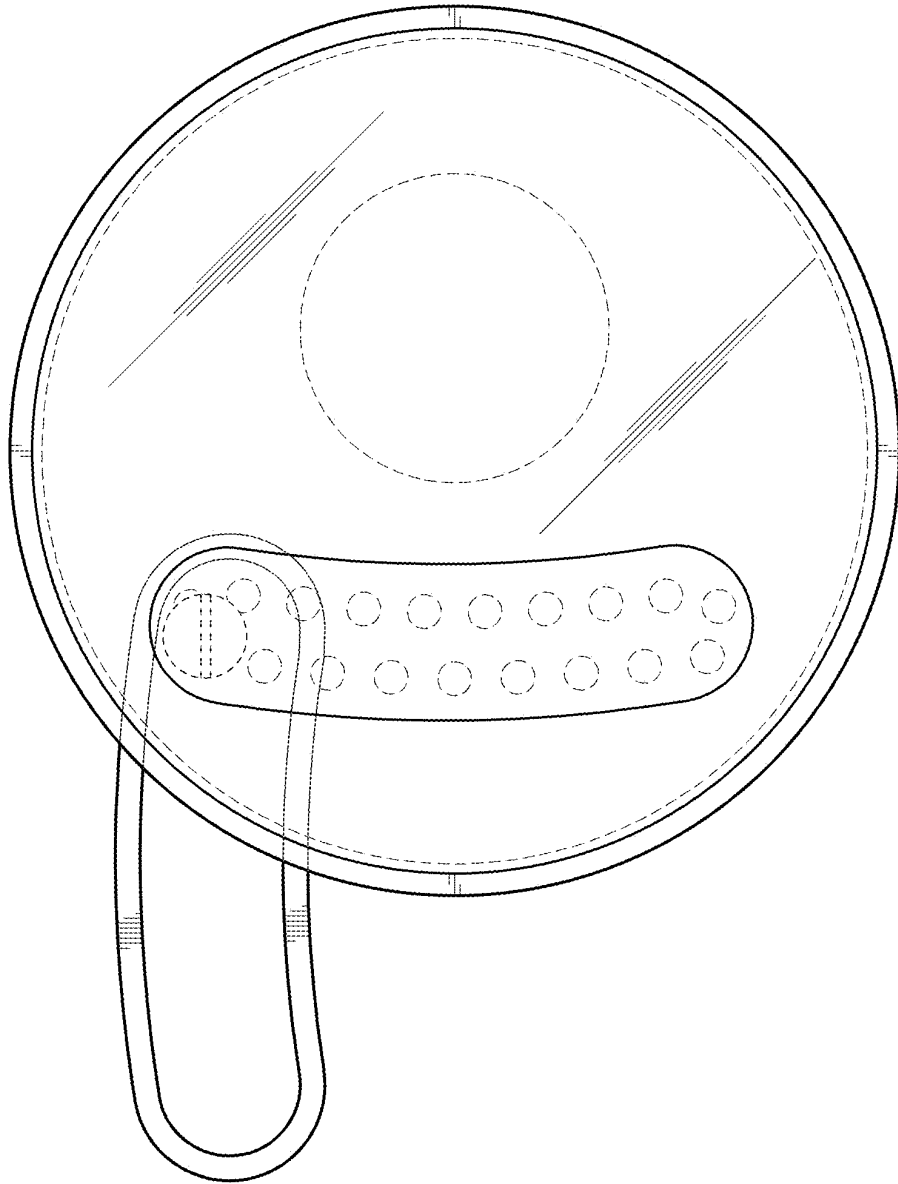


FIG. 15

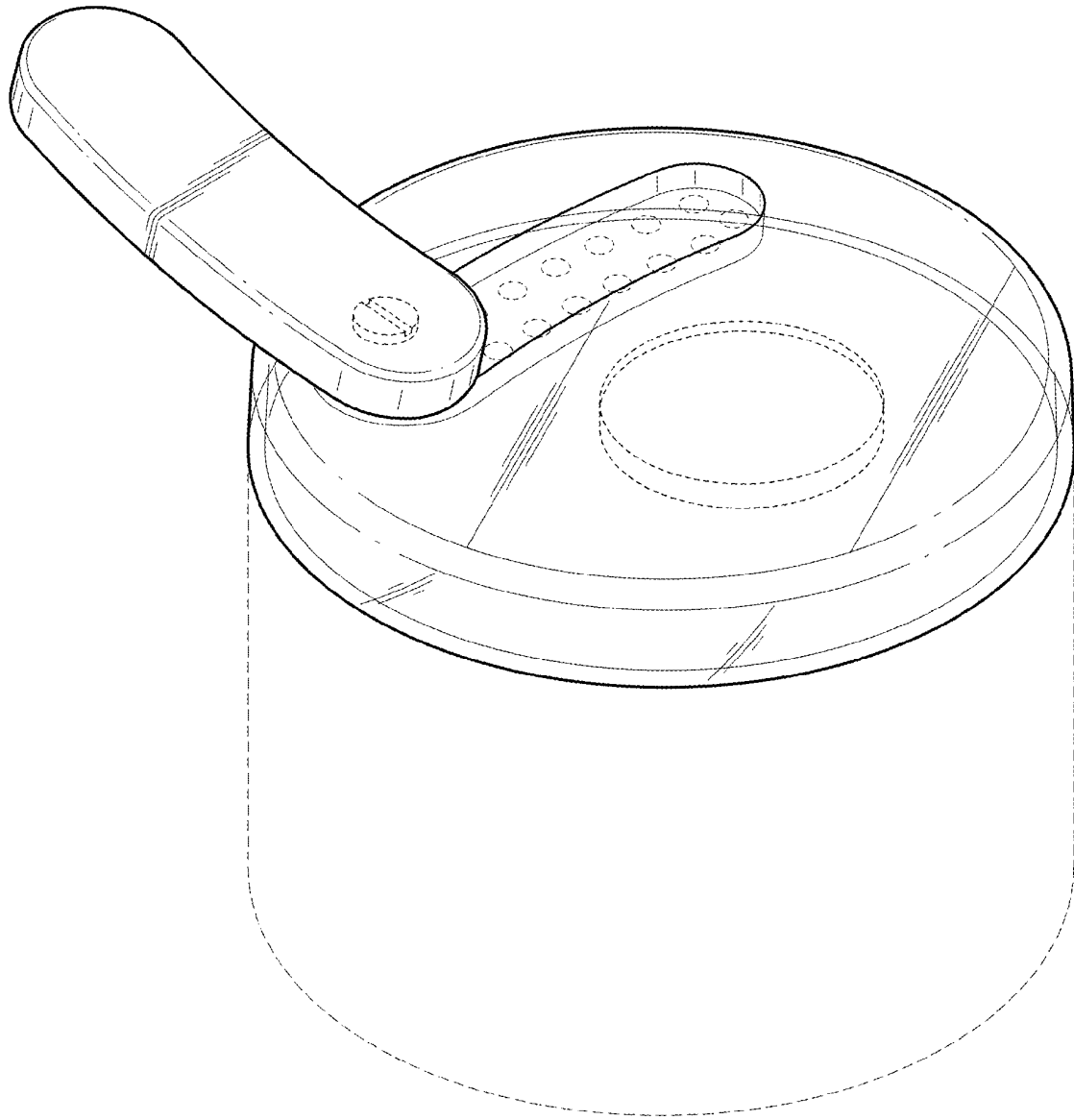


FIG. 16

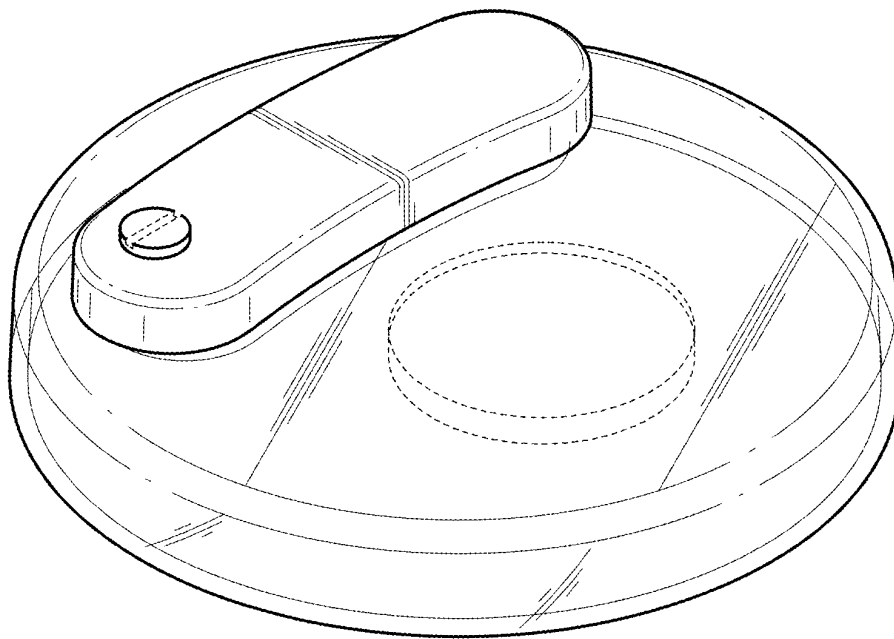
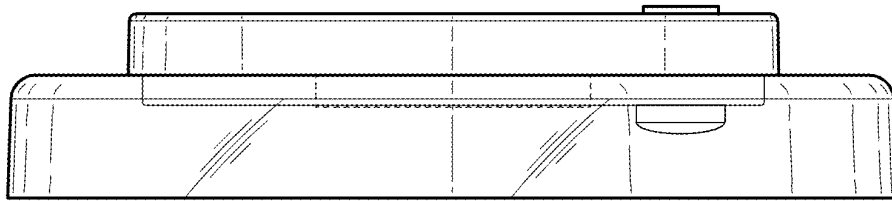
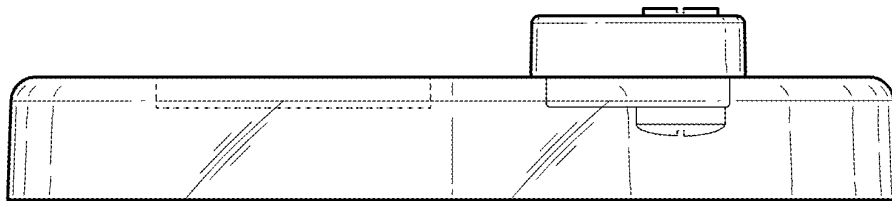


FIG. 17

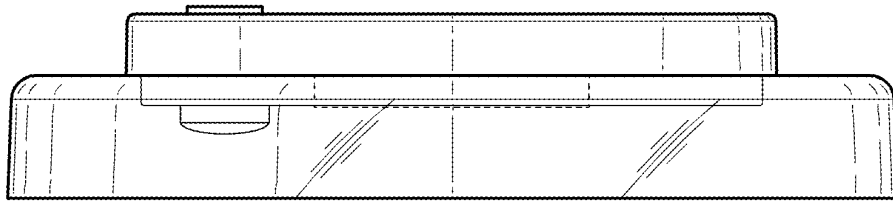


**FIG. 18**

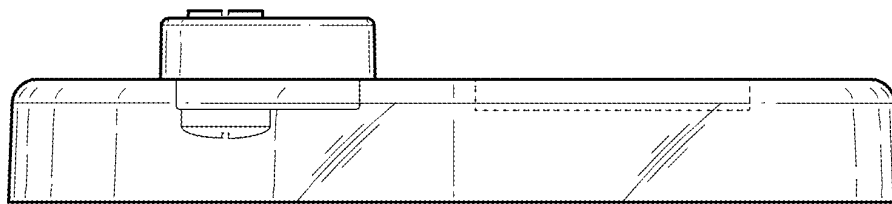


**FIG. 19**

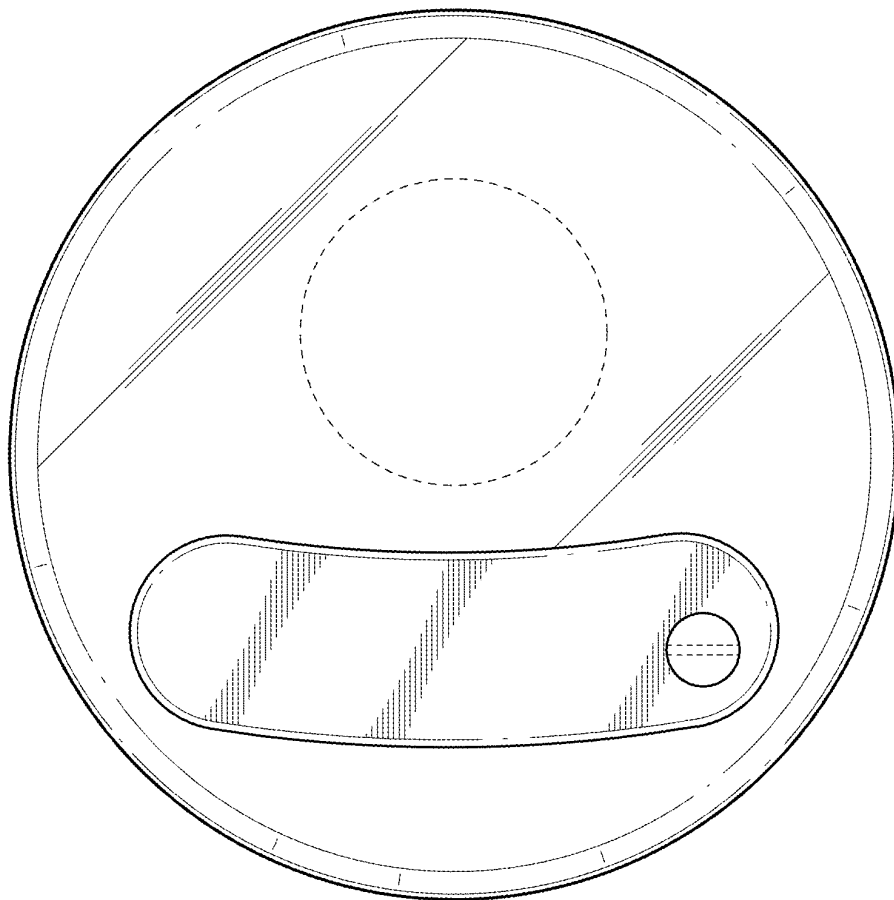




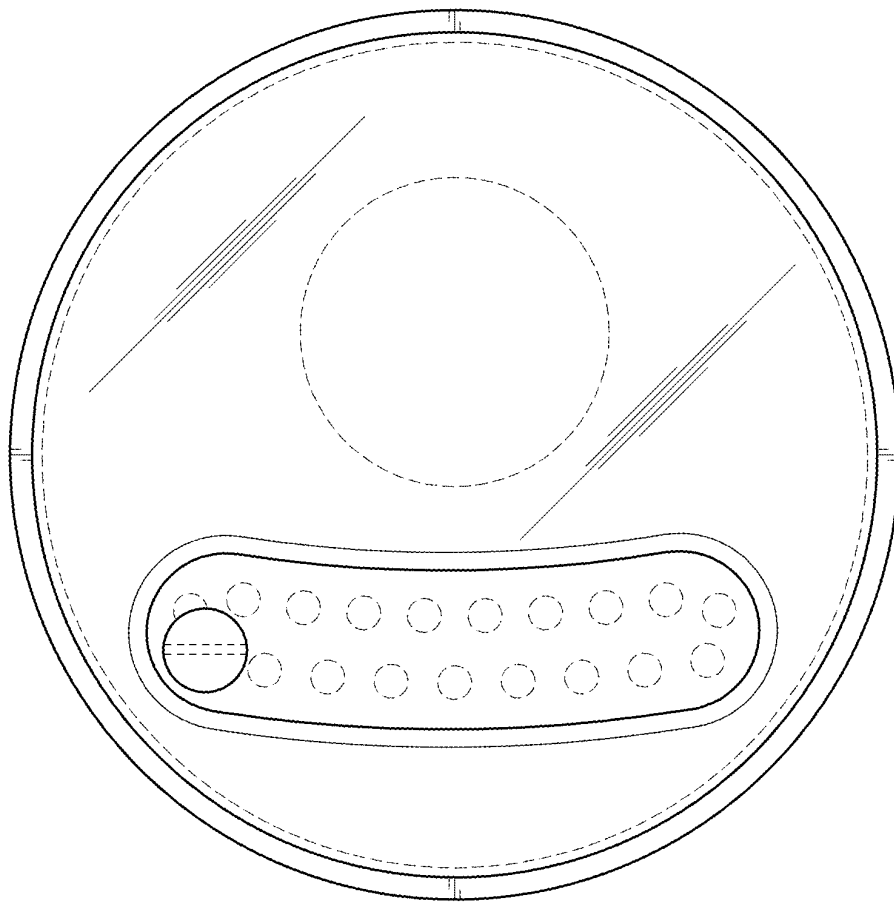
**FIG. 20**



**FIG. 21**



**FIG. 22**



**FIG. 23**

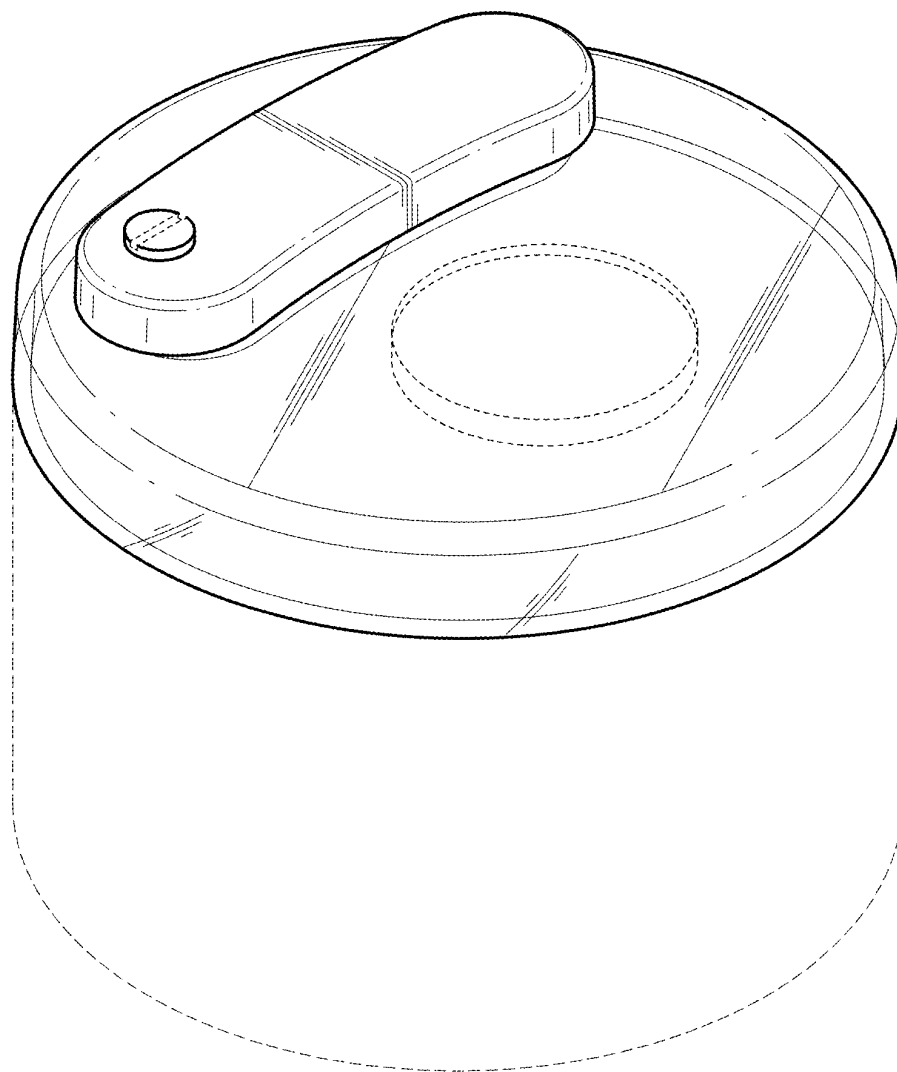


FIG. 24

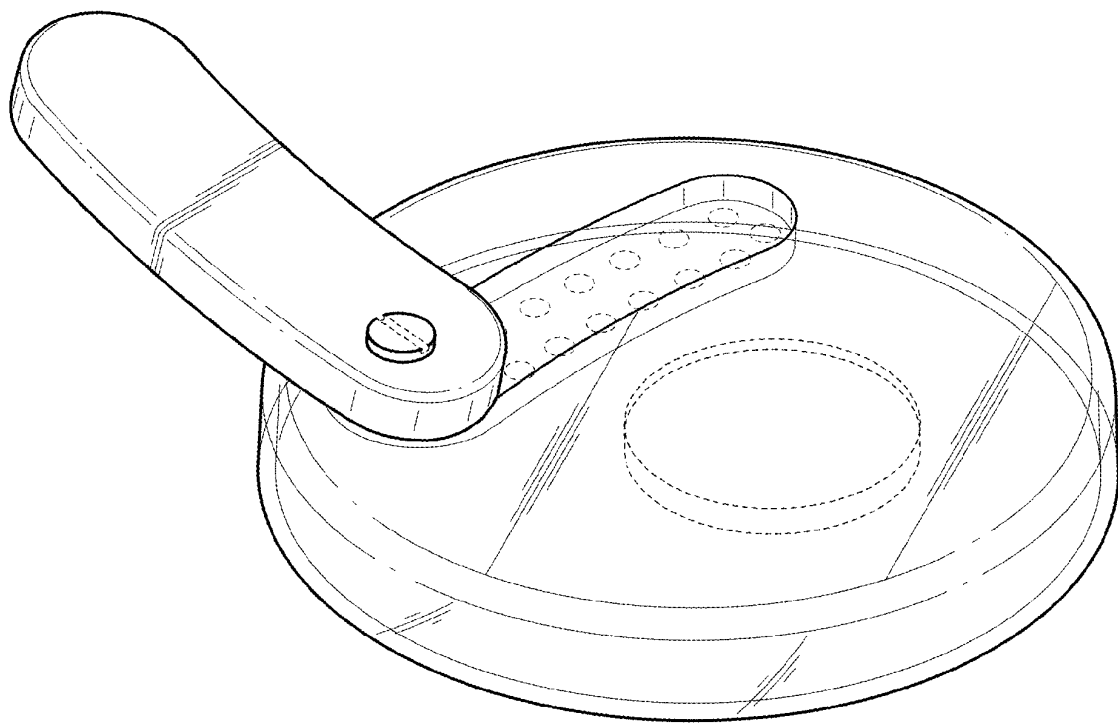


FIG. 25

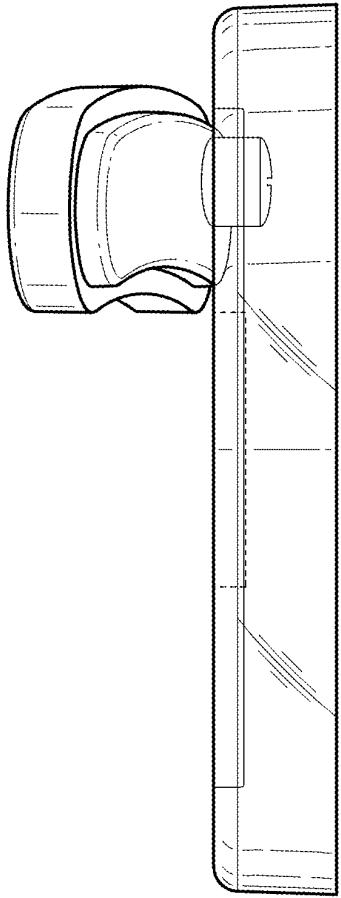


FIG. 26

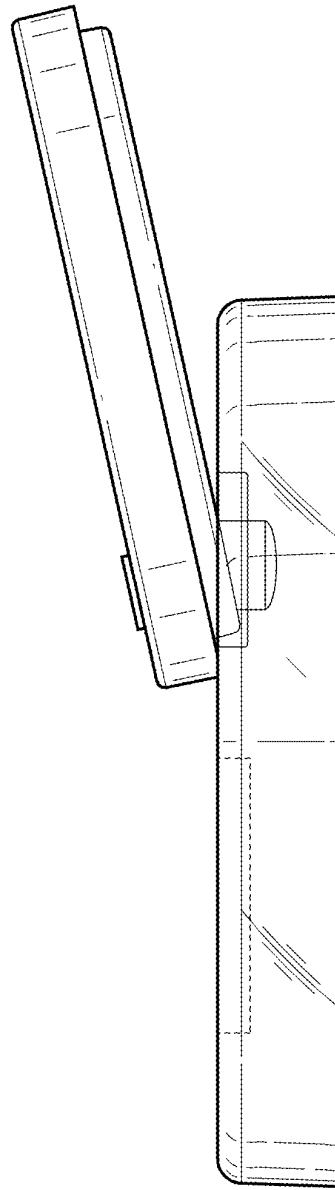


FIG. 27

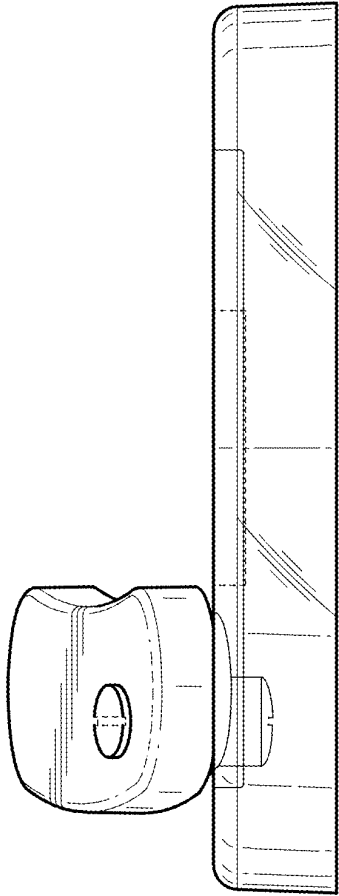


FIG. 28

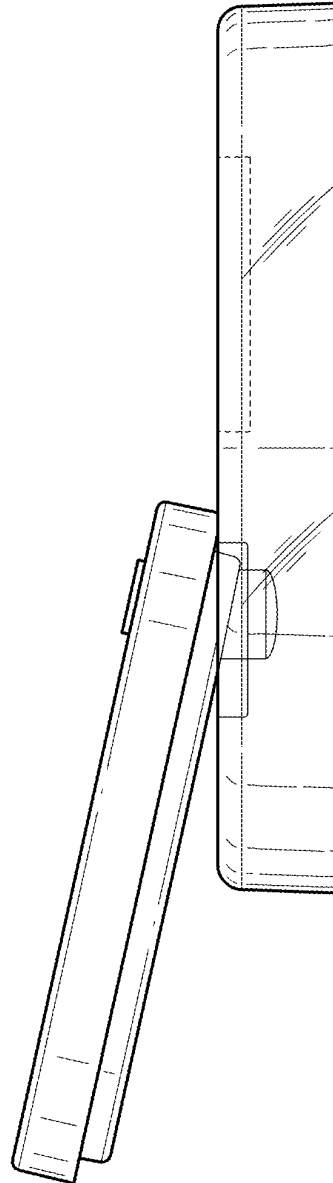


FIG. 29

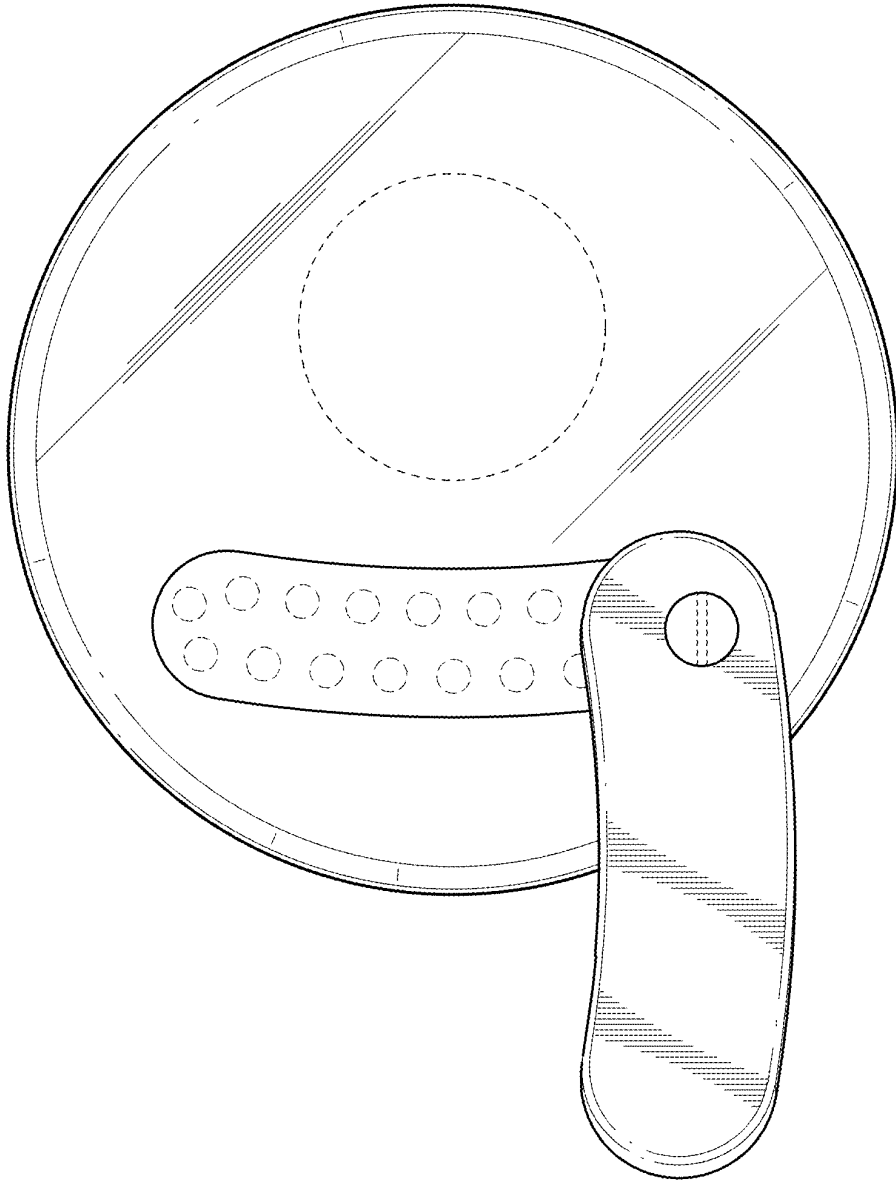


FIG. 30



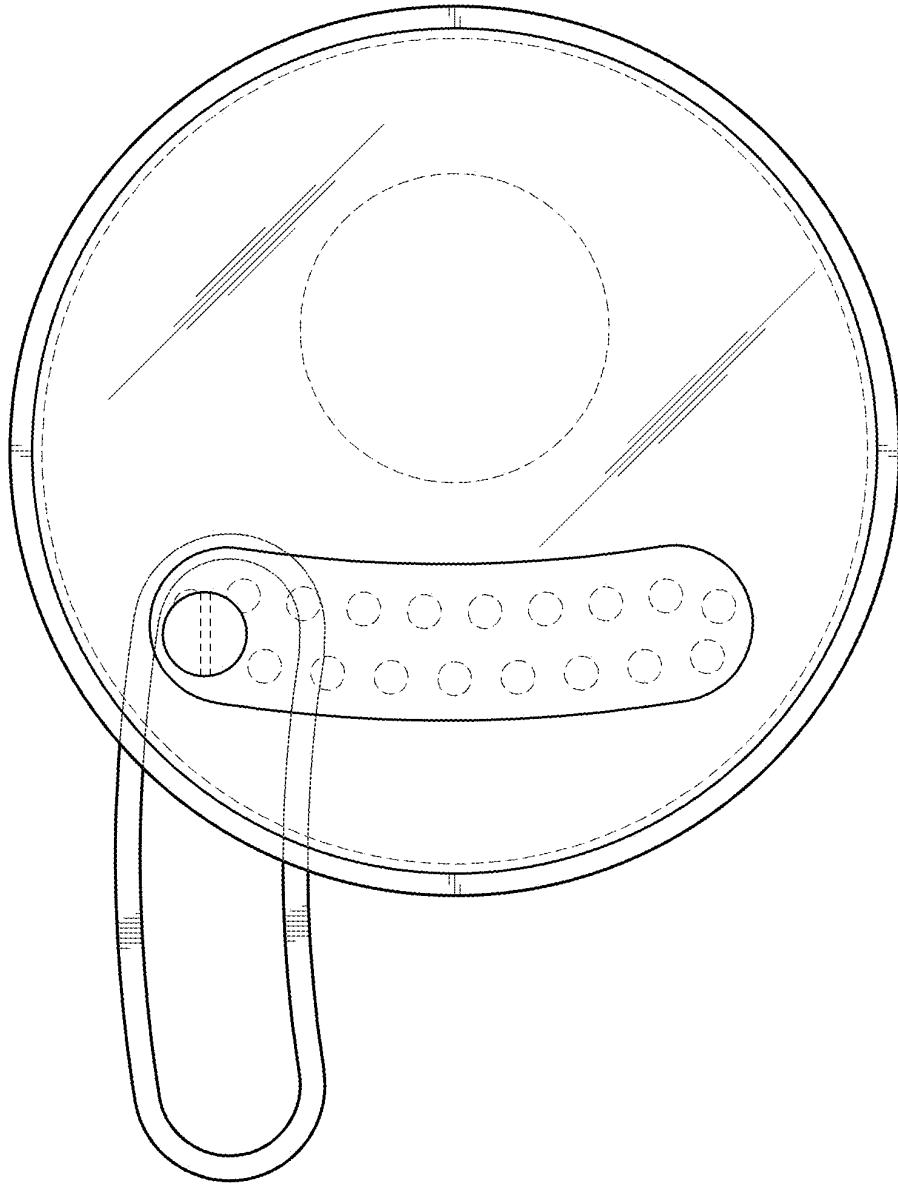


FIG. 31

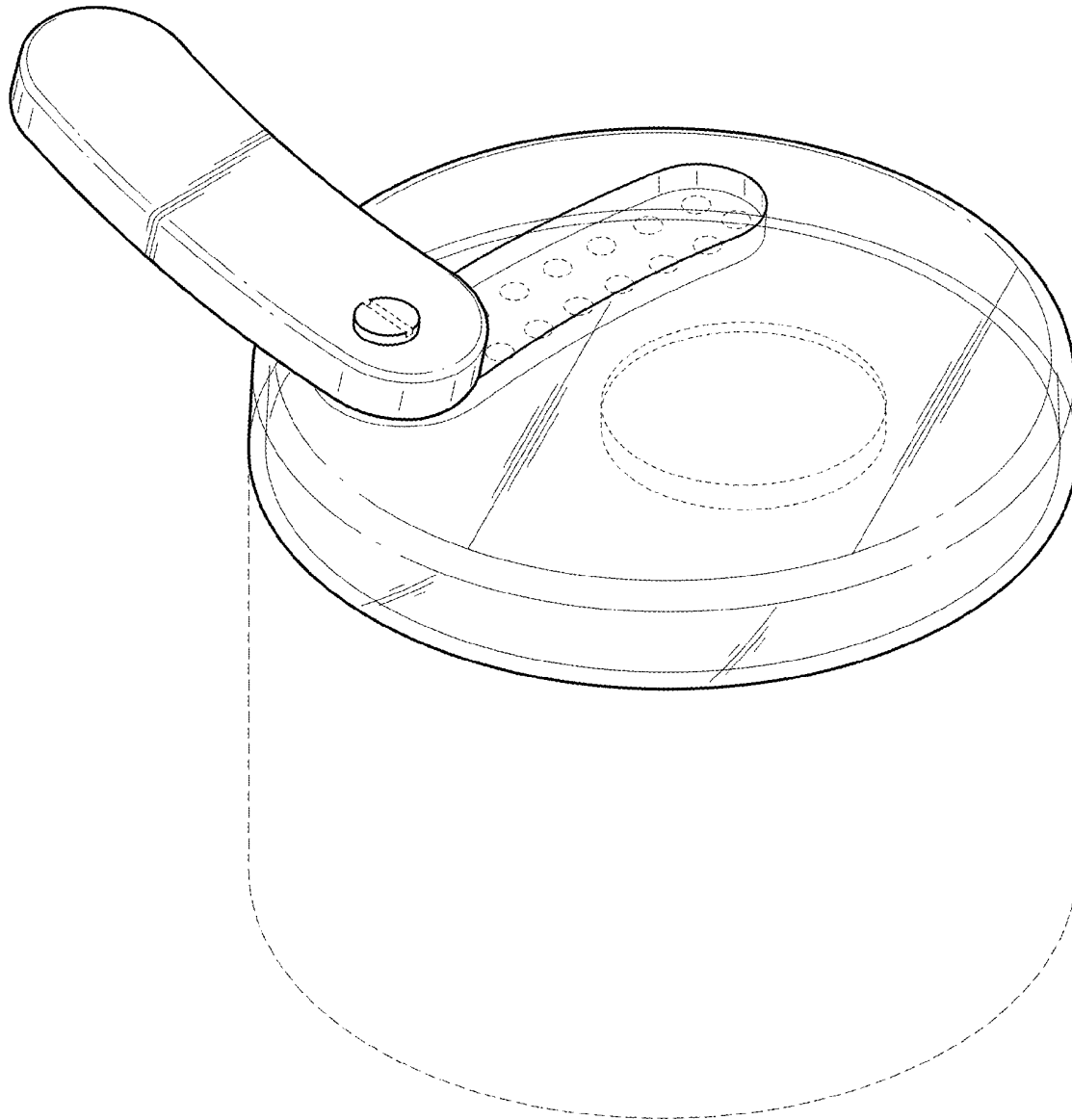


FIG. 32