



US00D863366S

(12) **United States Design Patent**
LaGrande

(10) **Patent No.:** **US D863,366 S**

(45) **Date of Patent:** **** Oct. 15, 2019**

(54) **H-STYLE ORCHARD FLOAT**

(71) Applicant: **C. J. LaGrande**, Williams, CA (US)

(72) Inventor: **C. J. LaGrande**, Williams, CA (US)

(**) Term: **15 Years**

(21) Appl. No.: **29/662,762**

(22) Filed: **Sep. 7, 2018**

(51) **LOC (12) Cl.** **15-03**

(52) **U.S. Cl.**
USPC **D15/27; D15/32**

(58) **Field of Classification Search**
USPC D15/11, 10, 22-28; 171/19, 28;
172/195-199, 439, 445.1; 404/118
CPC A01B 31/00; E02F 3/76; E02F 3/7622;
E02F 3/7604
See application file for complete search history.

5,024,280 A * 6/1991 Mork A01B 31/00
172/149

5,191,943 A * 3/1993 Minor A01B 31/00
172/393

5,332,331 A * 7/1994 Critz E01C 19/15
172/393

5,397,200 A * 3/1995 Seal E02F 3/7627
172/393

D357,483 S * 4/1995 Ramsey D15/32

D358,401 S * 5/1995 Devaney D15/11

5,427,185 A * 6/1995 Seal E02F 3/7627
172/197

5,511,625 A * 4/1996 Mork A01B 31/00
172/445.1

5,515,625 A * 5/1996 Keigley E02F 3/815
172/253

6,283,225 B1 * 9/2001 Hermonson E02F 3/3414
172/817

(Continued)

Primary Examiner — Mark A Goodwin

(74) *Attorney, Agent, or Firm* — Craig A. Simmermon

(57) **CLAIM**

I claim the ornamental design for an H-style orchard float, as shown and described.

(56) **References Cited**

U.S. PATENT DOCUMENTS

2,994,142 A * 8/1961 Newell E02F 3/7622
172/188

3,122,209 A * 2/1964 Crites E02F 3/7604
172/188

3,556,228 A * 1/1971 Mork A01B 31/00
172/445.1

4,196,778 A * 4/1980 Smith A01B 31/00
172/248

4,244,662 A * 1/1981 Olson E01H 4/02
172/780

4,320,988 A * 3/1982 Seal E02F 3/7631
172/393

4,418,759 A * 12/1983 Mork E02F 3/7622
172/197

4,448,258 A * 5/1984 Mork A01B 31/00
172/197

4,655,297 A * 4/1987 Bourgeois, Jr. E02F 3/7622
172/445.1

DESCRIPTION

FIG. 1 is a perspective view of an H-style orchard float showing my new design;

FIG. 2 is another perspective view thereof;

FIG. 3 is a top plan view thereof defining cross sectional plane 9-9;

FIG. 4 is a bottom plan view thereof;

FIG. 5 is a right side elevation view thereof;

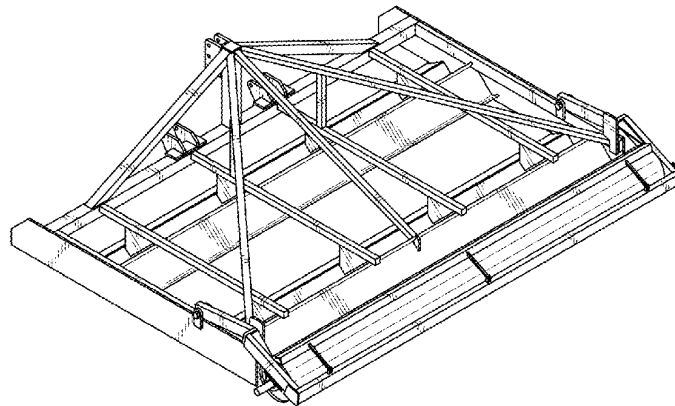
FIG. 6 is a left side elevation view thereof;

FIG. 7 is a rear elevation view thereof; and

FIG. 8 is a front elevation view thereof; and

FIG. 9 is a cross sectional view taken from cross sectional plane 9-9 defined in FIG. 3.

1 Claim, 6 Drawing Sheets



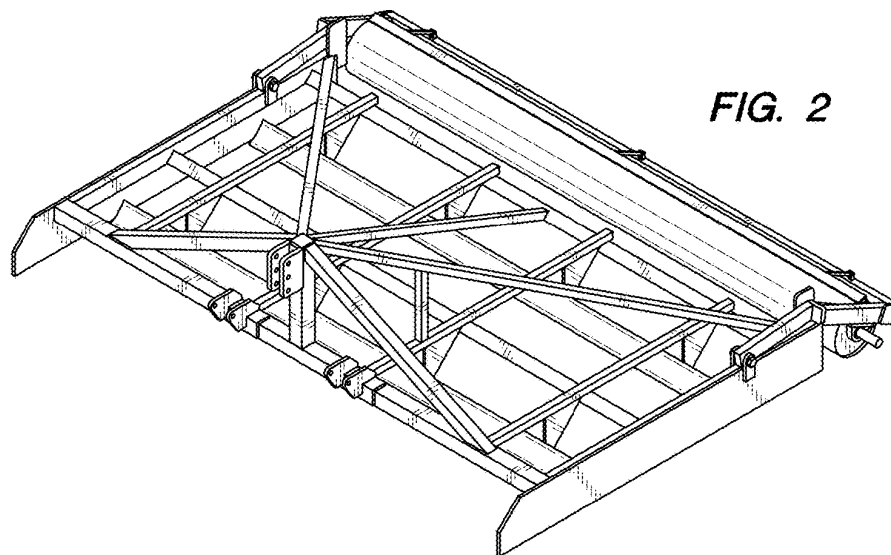
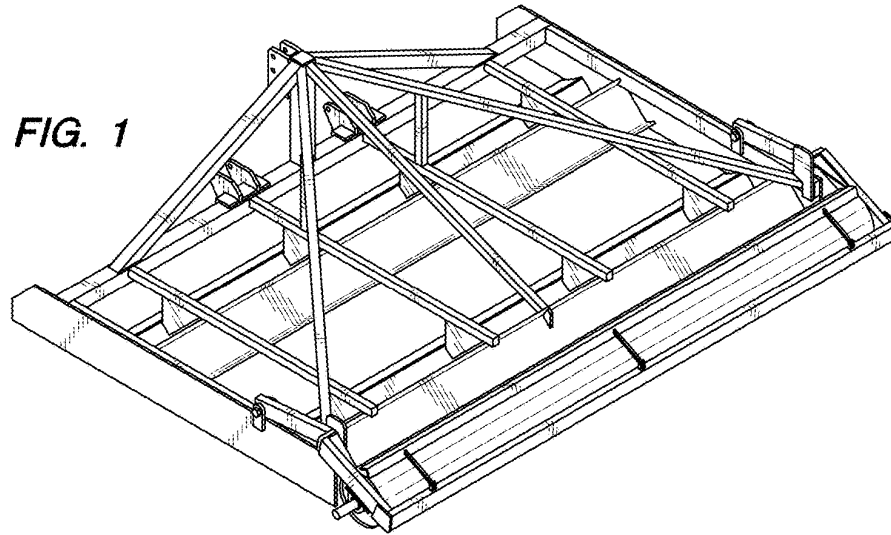
(56)

References Cited

U.S. PATENT DOCUMENTS

6,467,552 B1* 10/2002 Whatmough A01B 31/00
172/445.1
D623,668 S * 9/2010 Bissell D15/27
8,083,005 B1* 12/2011 Nicolai E02F 3/7631
172/393
8,393,406 B2* 3/2013 Seal E02F 3/7627
172/393
10,119,243 B2* 11/2018 Chern A01B 29/00

* cited by examiner



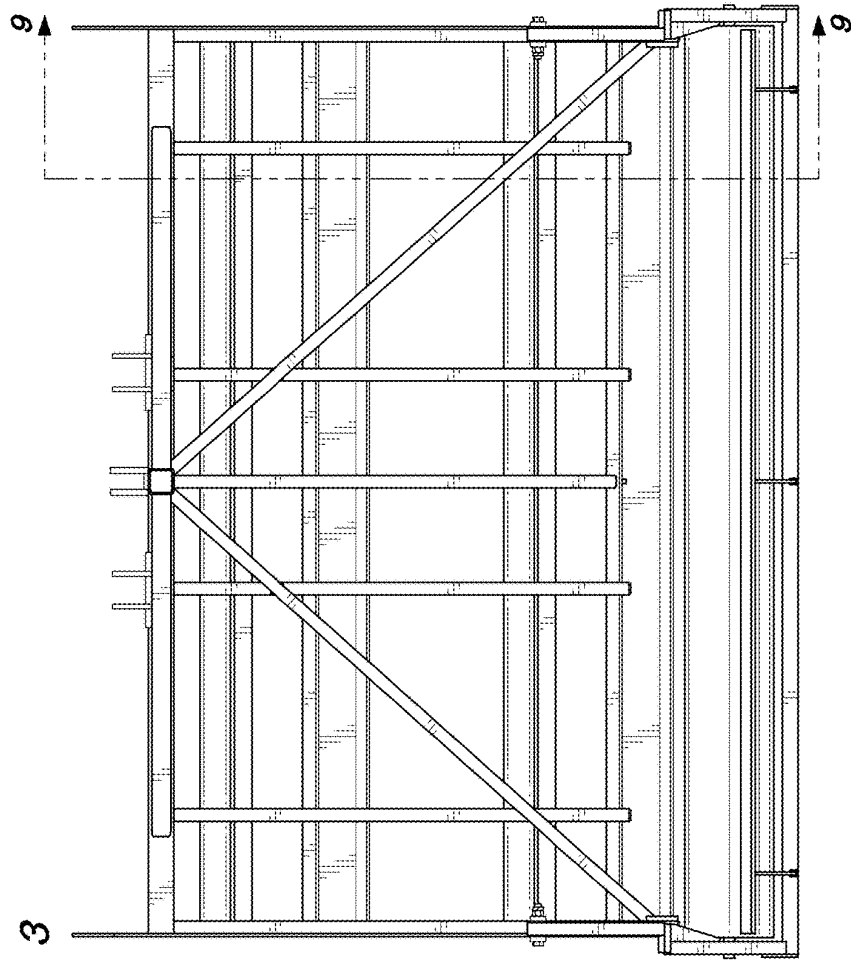
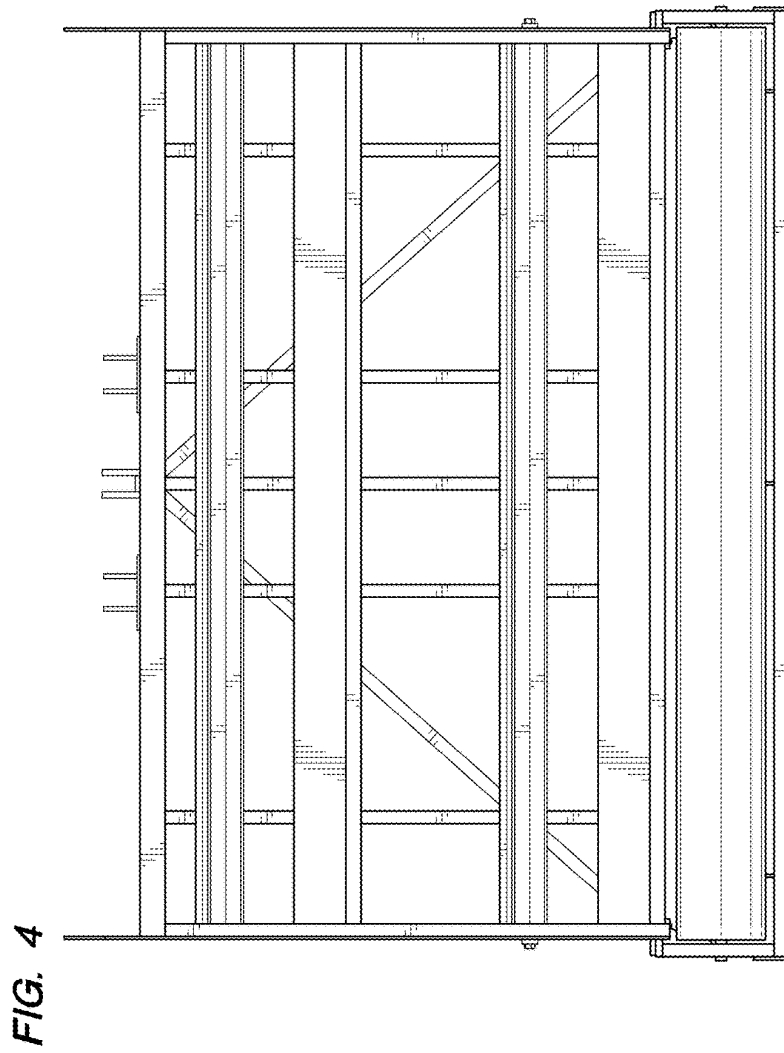


FIG. 3



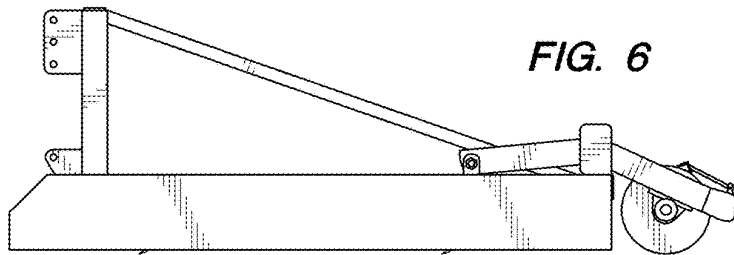
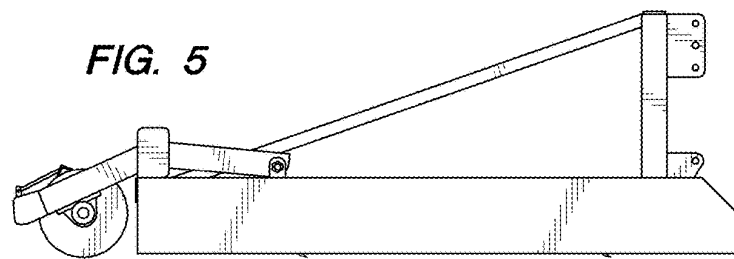


FIG. 7

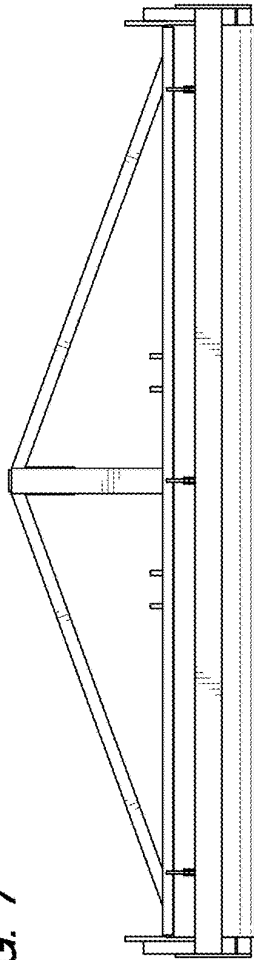


FIG. 8

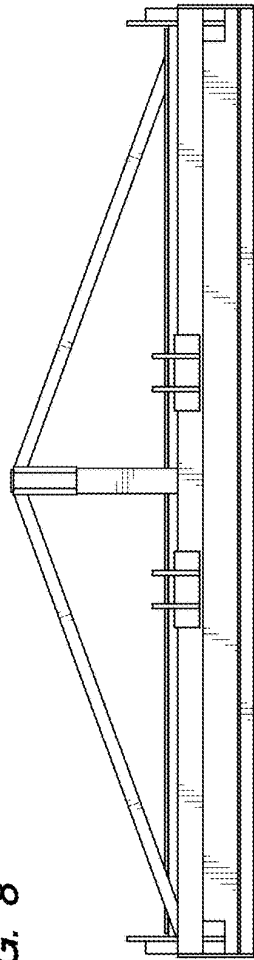


FIG. 9

