



US00D77759S

(12) **United States Design Patent**
Dhaliwal

(10) **Patent No.:** **US D777,559 S**
(45) **Date of Patent:** **** Jan. 31, 2017**

- (54) **SEMIAUTOMATIC PISTOL-SHAPED KEY**
- (71) Applicant: **Sukhwinder Dhaliwal**, Elk Grove, CA (US)
- (72) Inventor: **Sukhwinder Dhaliwal**, Elk Grove, CA (US)
- (**) Term: **15 Years**
- (21) Appl. No.: **29/547,786**
- (22) Filed: **Dec. 8, 2015**
- (51) **LOC (10) Cl.** **08-07**
- (52) **U.S. Cl.**
USPC **D8/348**
- (58) **Field of Classification Search**
USPC D8/347, 348, 330, 82; 70/51, 393, 401, 70/405-408, 450, 336, 345, 346, 265, 70/231, 423-434; 42/70, 1, 70.11, 70.06
CPC E05B 19/00; F41A 17/00
See application file for complete search history.

- 5,235,763 A * 8/1993 Nosler F41A 17/02 42/66
- 5,509,226 A * 4/1996 Houde-Walter F41G 1/35 362/110
- D492,186 S * 6/2004 Howard D8/347
- 7,234,261 B2 * 6/2007 McGarry F41A 17/56 42/70.05
- D659,510 S * 5/2012 Dhaliwal D8/348
- D659,511 S * 5/2012 Dhaliwal D8/348
- D659,512 S * 5/2012 Dhaliwal D8/348

* cited by examiner

Primary Examiner — Prabhakar Deshmukh
(74) *Attorney, Agent, or Firm* — Craig A. Simmermon

(57) **CLAIM**

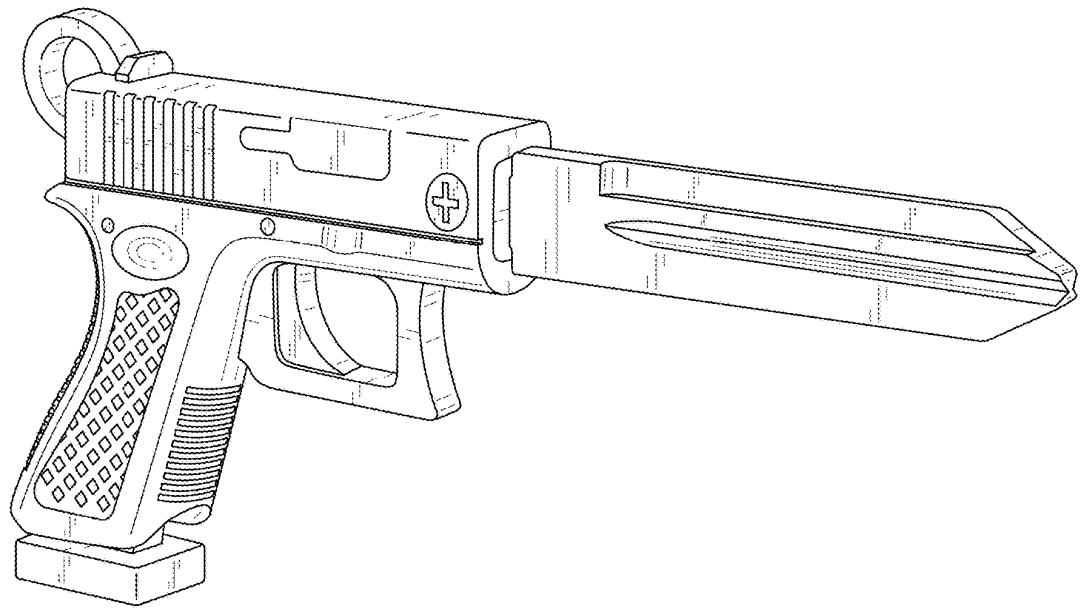
I claim the ornamental design for a semiautomatic pistol-shaped key, as shown and described.

DESCRIPTION

FIG. 1 is a top perspective view of semiautomatic pistol-shaped key showing my new design.
FIG. 2 is a front elevation view thereof.
FIG. 3 is a rear elevation view thereof.
FIG. 4 is a left side elevation view thereof.
FIG. 5 is a right side elevation view thereof.
FIG. 6 is a top plan view thereof.
FIG. 7 is a bottom plan view thereof.
FIG. 8 is an exploded right perspective view thereof; and,
FIG. 9 is an exploded left side elevation view thereof.

1 Claim, 7 Drawing Sheets

- (56) **References Cited**
U.S. PATENT DOCUMENTS
- 2,529,815 A * 11/1950 Rothe E05B 19/24 250/466.1
- D211,827 S * 7/1968 Reisner D11/60
- D215,267 S * 9/1969 Reisner D11/82
- 4,747,282 A * 5/1988 Nyun E05B 17/16 70/398
- 4,986,554 A * 1/1991 Rathbun B23B 45/006 24/300
- 5,042,185 A * 8/1991 Justice, Sr. F41A 17/74 42/70.11



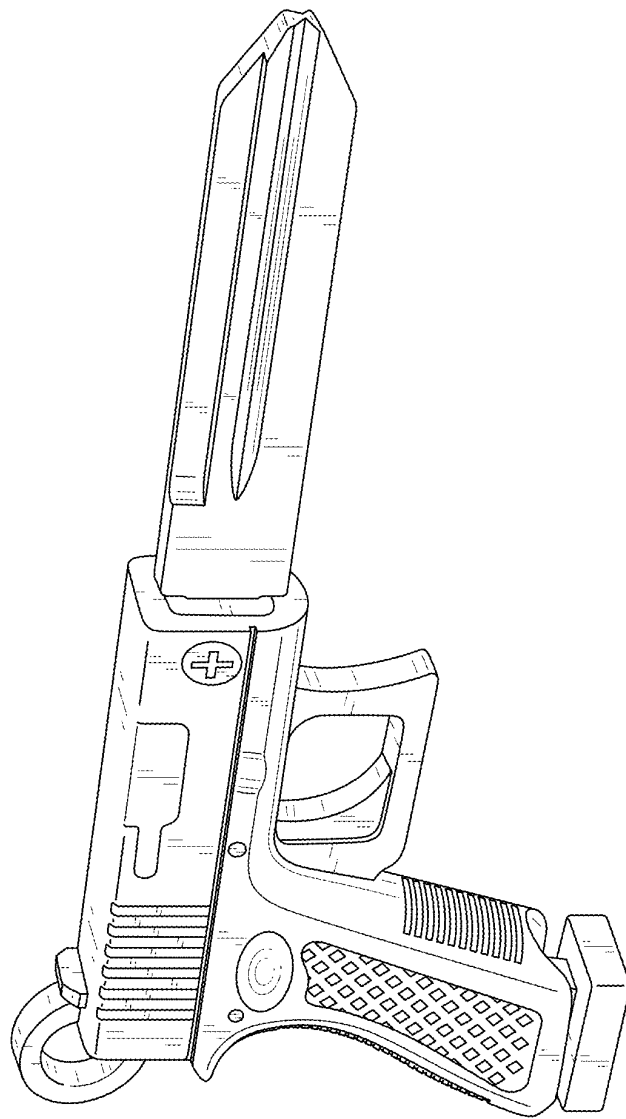


FIG. 1

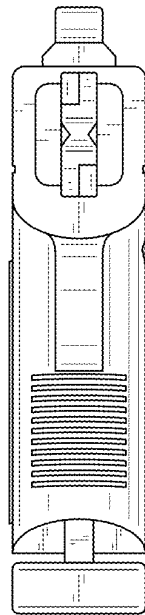


FIG. 2

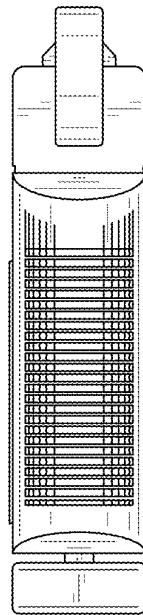


FIG. 3

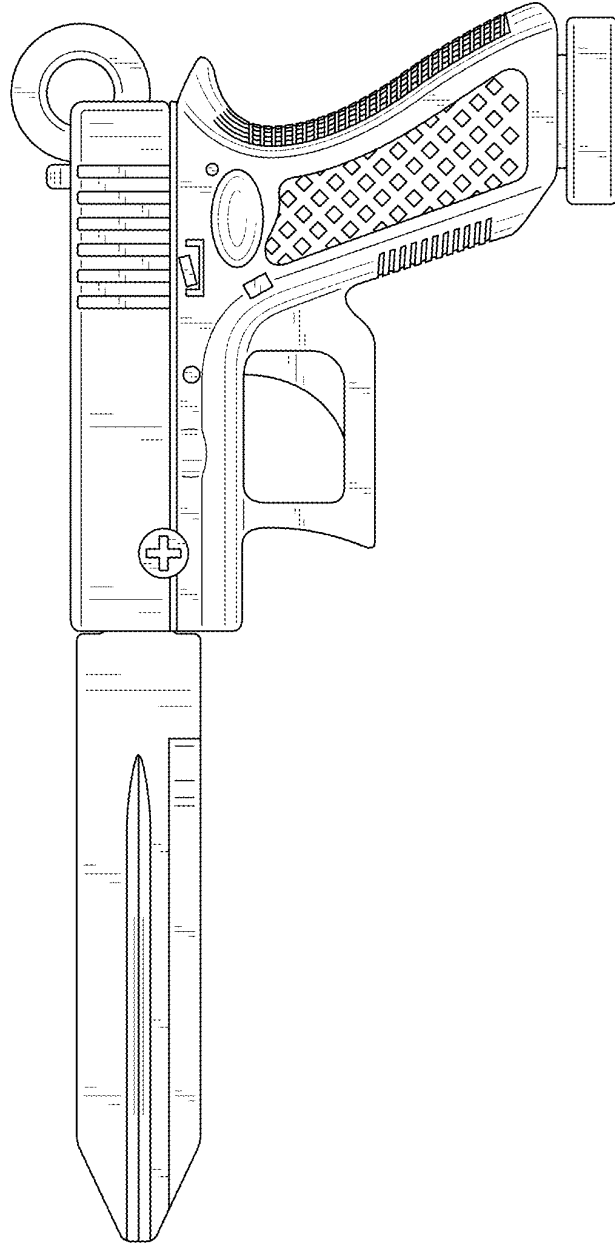


FIG. 4

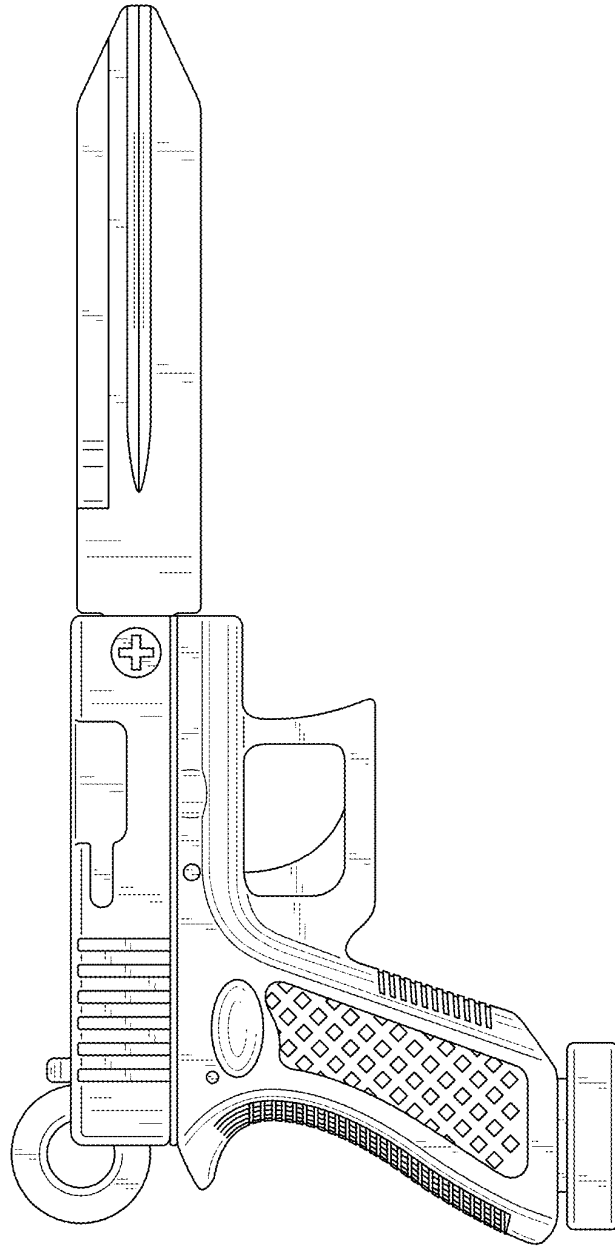


FIG. 5

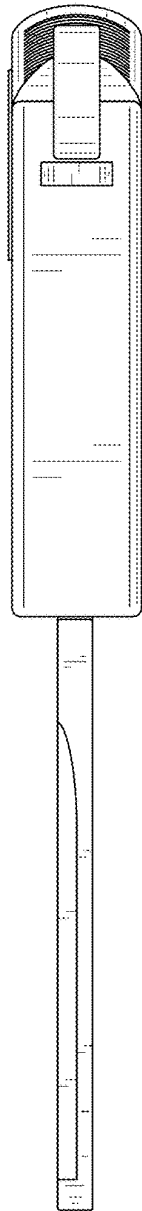


FIG. 6

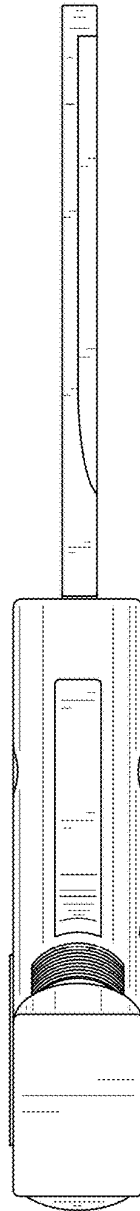


FIG. 7

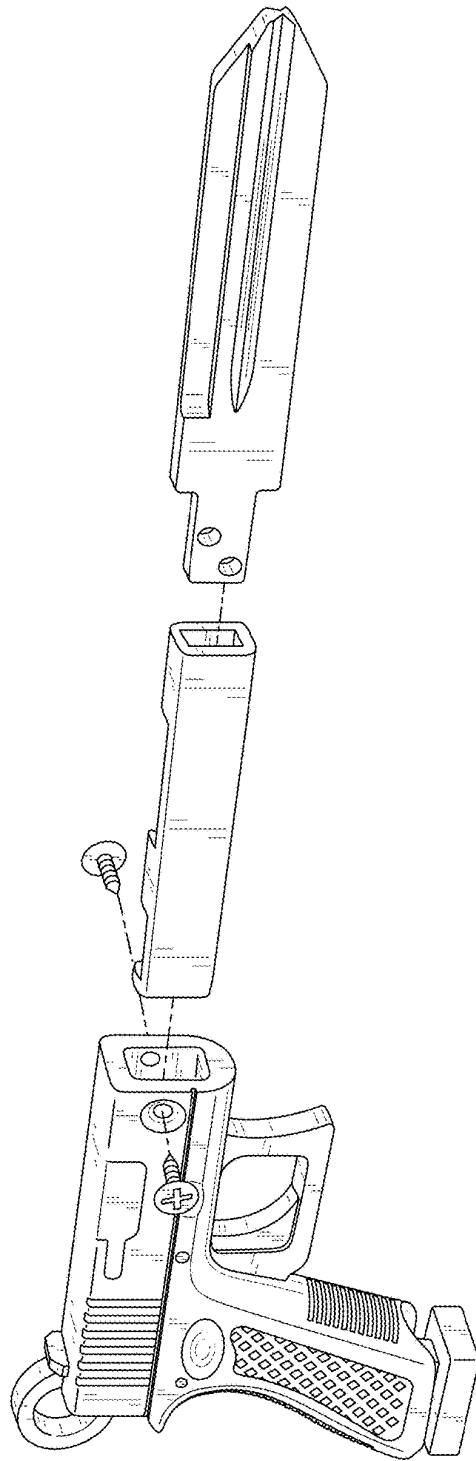


FIG. 8

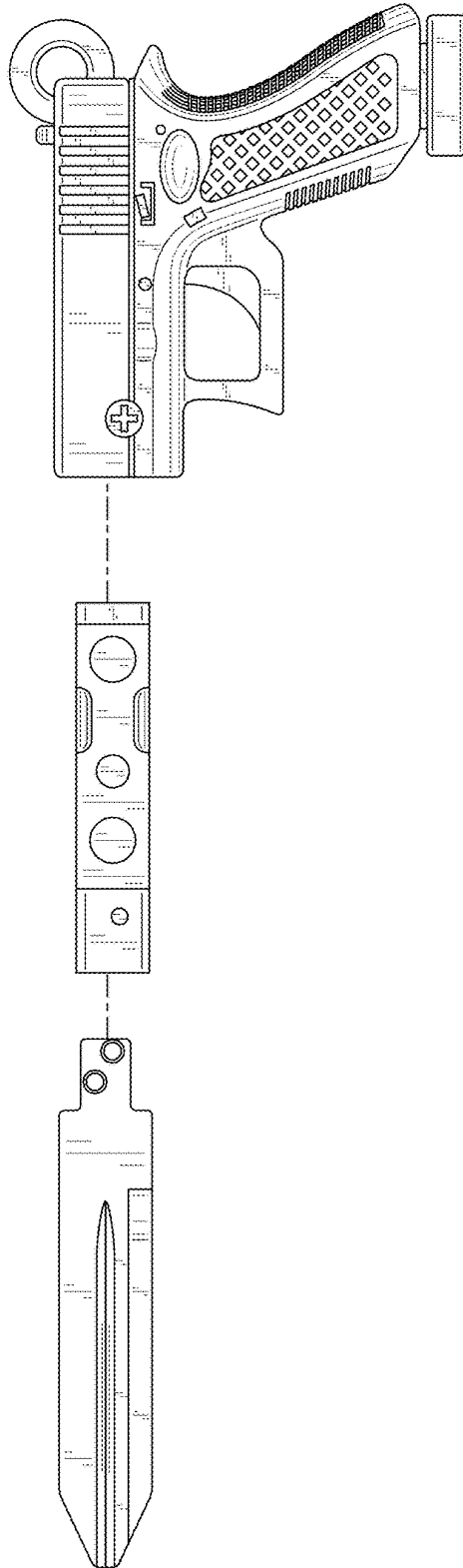


FIG. 9