



US00D773621S

(12) **United States Design Patent**
Gill

(10) **Patent No.:** **US D773,621 S**

(45) **Date of Patent:** **** Dec. 6, 2016**

(54) **DOUBLE COLLAR ZERO LOSS PIPE UNION**

(71) Applicant: **KMG Products, LLC**, Modesto, CA (US)

(72) Inventor: **Kevin M. Gill**, Linden, CA (US)

(**) Term: **15 Years**

(21) Appl. No.: **29/527,236**

(22) Filed: **May 18, 2015**

(51) **LOC (10) Cl.** **23-01**

(52) **U.S. Cl.**
USPC **D23/259**

(58) **Field of Classification Search**
USPC D23/259, 233-237, 262, 265, 266, 269;
D8/382

CPC F16L 15/02; F16L 15/04; F16L 15/06;
F16L 15/08; F16L 17/025; F16L 17/035;
F16L 17/04; F16L 23/00; F16L 23/12;
F16L 23/16; F16L 23/18; F16L 23/036;
F02F 11/00

See application file for complete search history.

(56) **References Cited**

U.S. PATENT DOCUMENTS

D234,462 S * 3/1975 Ahlrot D23/262
D255,145 S * 5/1980 Nederman 285/148.19
D291,482 S * 8/1987 Vassallo D23/262

D319,287 S * 8/1991 Baumstark D23/207
D392,372 S * 3/1998 Saito D23/262
D407,802 S * 4/1999 Hatfield D23/262
D430,482 S * 9/2000 Stout, Jr. D23/262
D483,095 S * 12/2003 Snyder, Sr. D23/262
D483,441 S * 12/2003 Dole D23/262
D517,665 S * 3/2006 Wilk, Jr. D23/262
D546,665 S * 7/2007 Medlin D8/382
D623,277 S * 9/2010 Guzzoni D23/262
D676,940 S * 2/2013 Kluss D23/262
D710,488 S * 8/2014 Alima D23/363

* cited by examiner

Primary Examiner — Eric Goodman

Assistant Examiner — Amy Wierenga

(74) *Attorney, Agent, or Firm* — Craig A. Simmermon

(57) **CLAIM**

The ornamental design for a double collar zero loss pipe union, as shown and described.

DESCRIPTION

FIG. 1 is a perspective view of double collar zero loss pipe union showing my new design.

FIG. 2 is a top plan view thereof.

FIG. 3 is a bottom plan view thereof.

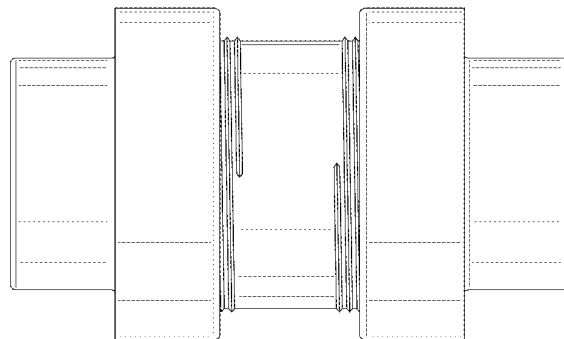
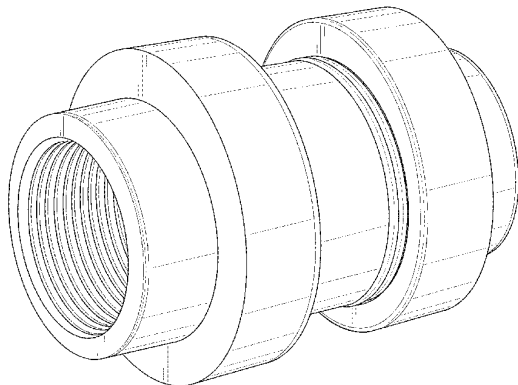
FIG. 4 is a right side elevation view thereof.

FIG. 5 is a left side elevation view thereof.

FIG. 6 is a front elevation view thereof; and,

FIG. 7 is a rear elevation view thereof.

1 Claim, 7 Drawing Sheets



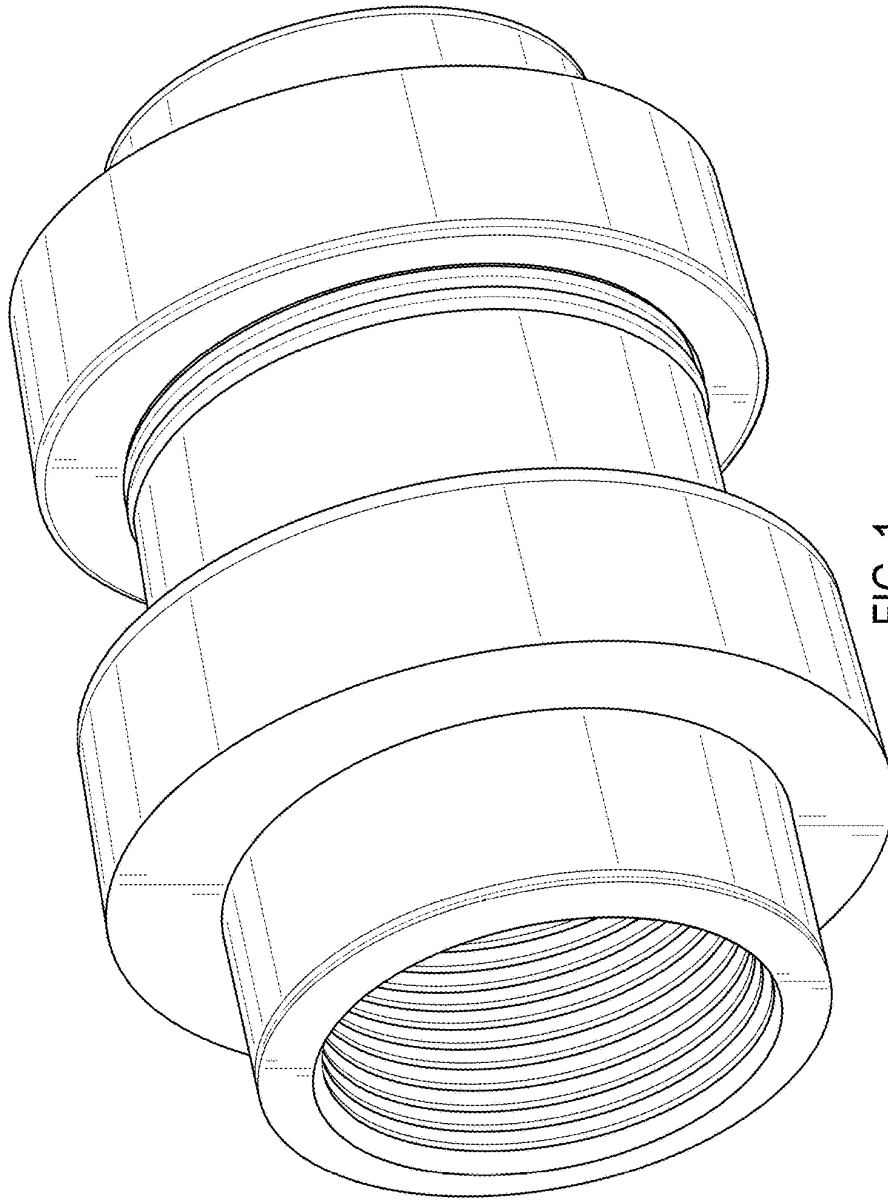


FIG. 1

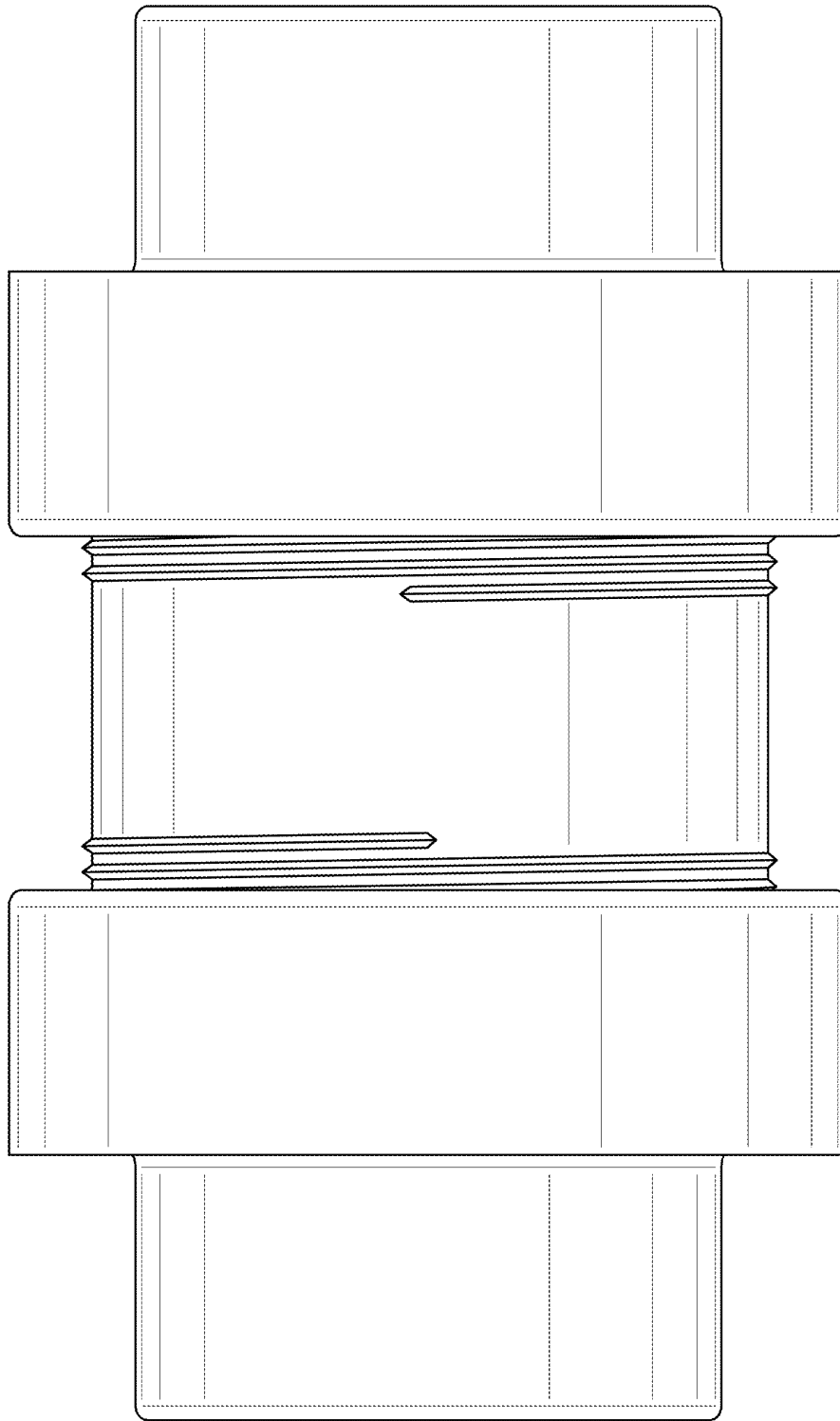


FIG. 2

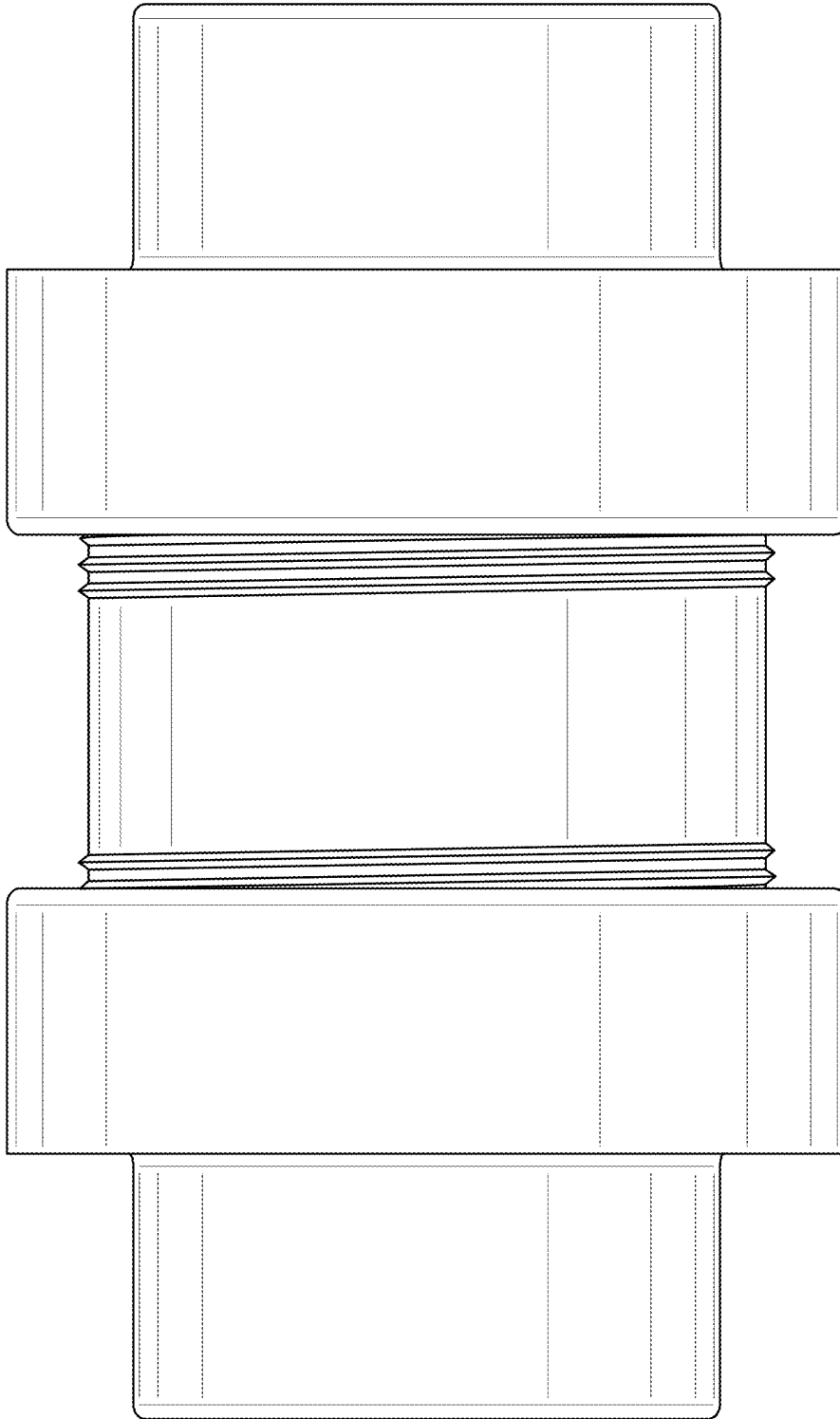


FIG. 3

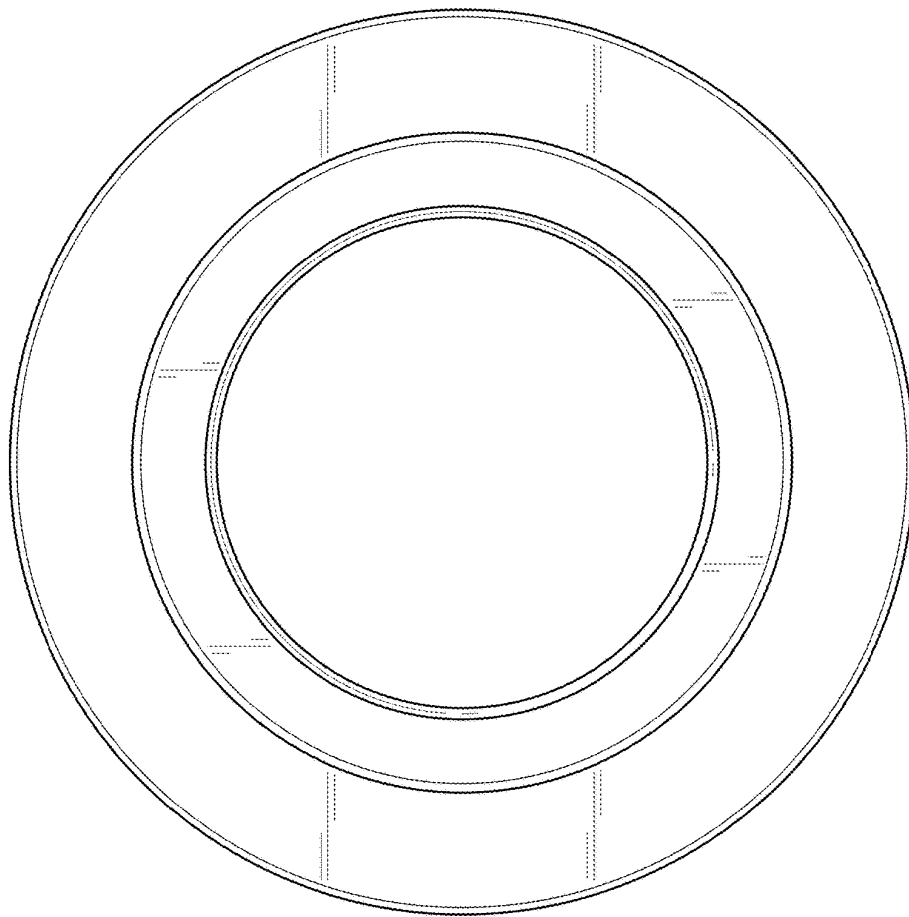


FIG. 4

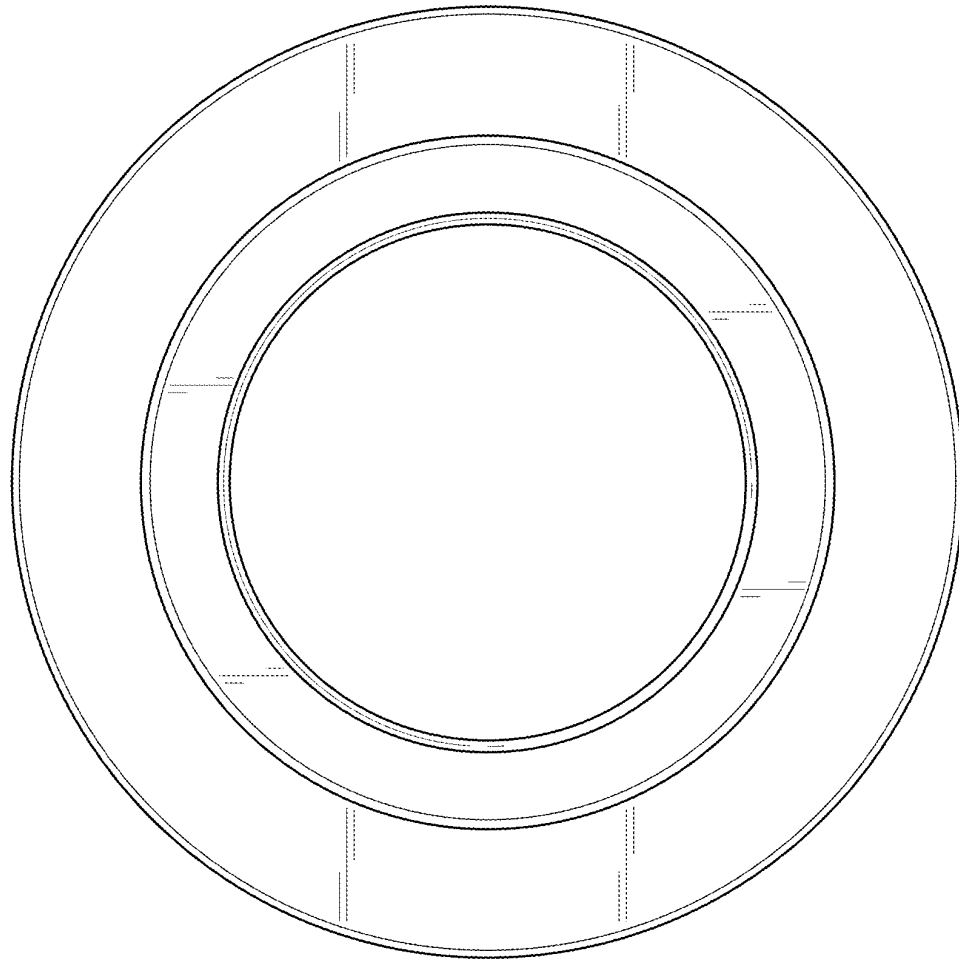


FIG. 5

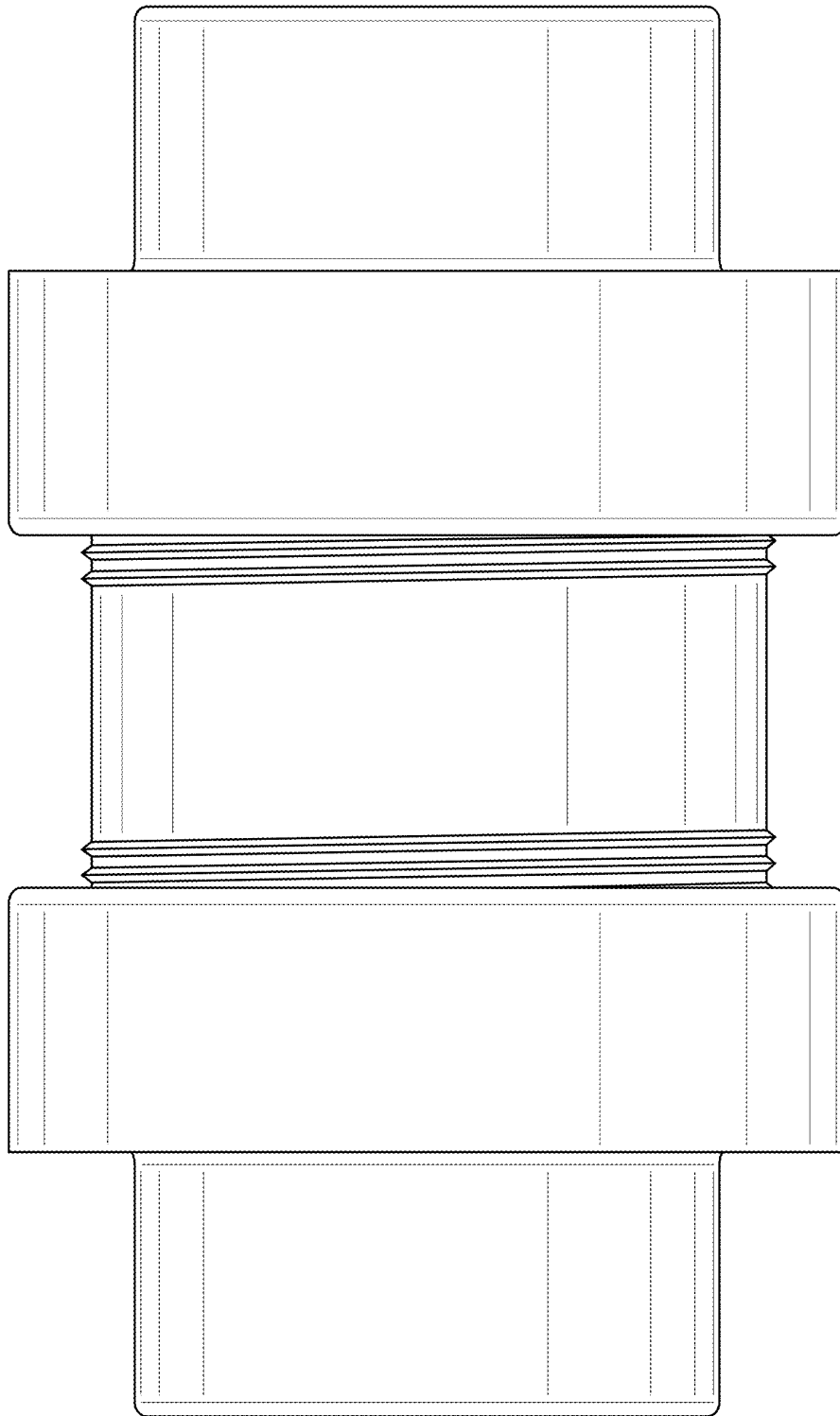


FIG. 6

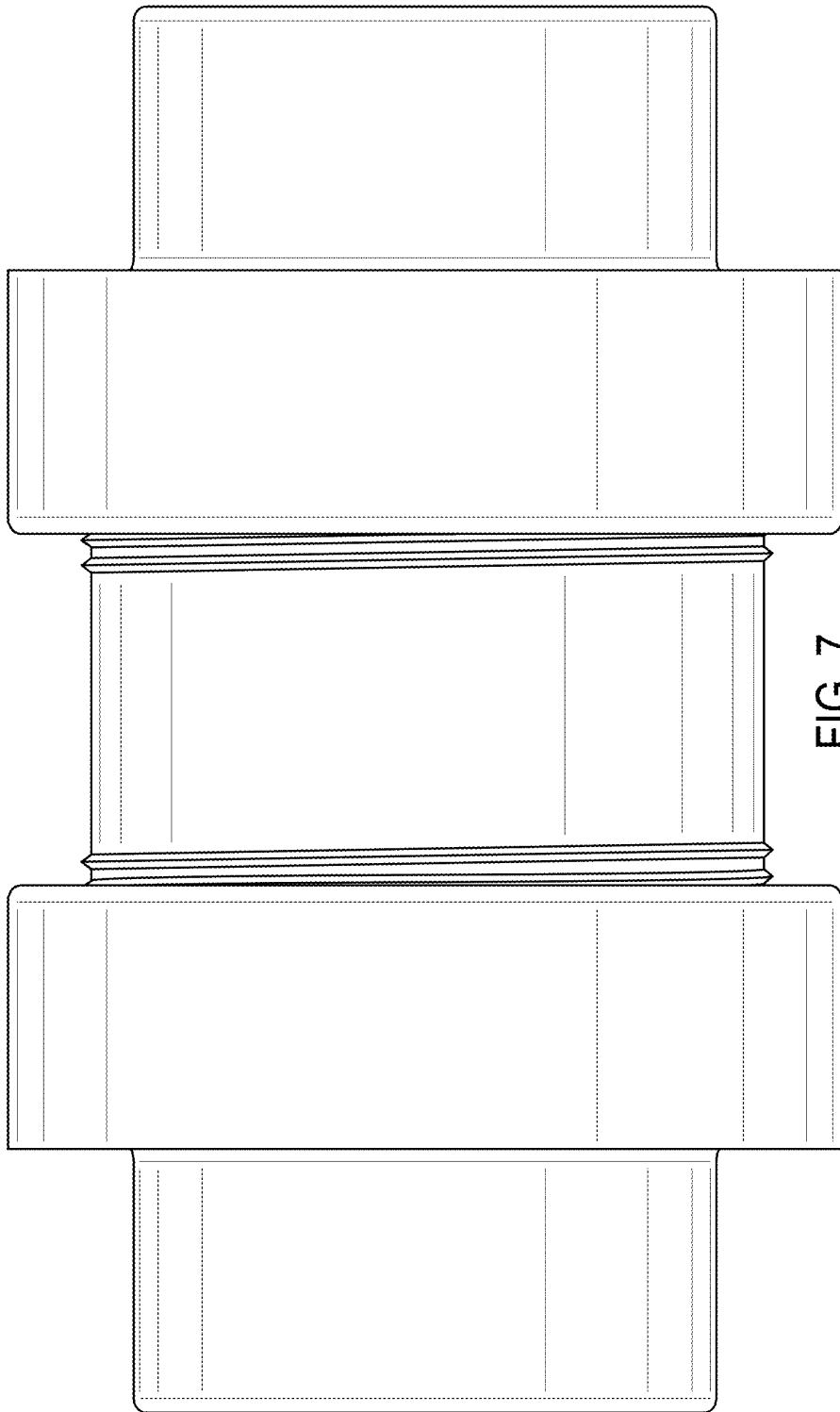


FIG. 7