



US00D772383S

(12) **United States Design Patent**
Gill

(10) **Patent No.:** **US D772,383 S**

(45) **Date of Patent:** **** Nov. 22, 2016**

- (54) **DOUBLE NUT ZERO LOSS PIPE UNION**
- (71) Applicant: **KMG Products, LLC**, Modesto, CA (US)
- (72) Inventor: **Kevin M. Gill**, Linden, CA (US)
- (**) Term: **15 Years**
- (21) Appl. No.: **29/527,238**
- (22) Filed: **May 18, 2015**
- (51) **LOC (10) Cl.** **23-01**
- (52) **U.S. Cl.**
USPC **D23/259**
- (58) **Field of Classification Search**
USPC D23/259, 233-237, 262, 265, 266, 269;
D8/382
CPC F16L 15/02; F16L 15/04; F16L 15/06;
F16L 15/08; F16L 17/025; F16L 17/035;
F16L 17/04; F16L 23/00; F16L 23/12;
F16L 23/16; F16L 23/18; F16L 23/036;
F02F 11/00
See application file for complete search history.

5,857,719	A *	1/1999	Hansen	F16L 37/10
					285/343
6,488,318	B1 *	12/2002	Shim	F16L 19/061
					285/322
D533,259	S *	12/2006	Lewis	D23/262
D549,804	S *	8/2007	Lewis	D23/262
D612,716	S *	3/2010	Lutz	D8/397
D627,039	S *	11/2010	Yu	D23/260
D648,005	S *	11/2011	Morishita	D23/259
D706,126	S *	6/2014	Orow	D8/397
D746,415	S *	12/2015	Lehmann	D23/259
D746,418	S *	12/2015	Castrigno	D23/262
D746,953	S *	1/2016	Gledhill	D23/259

* cited by examiner

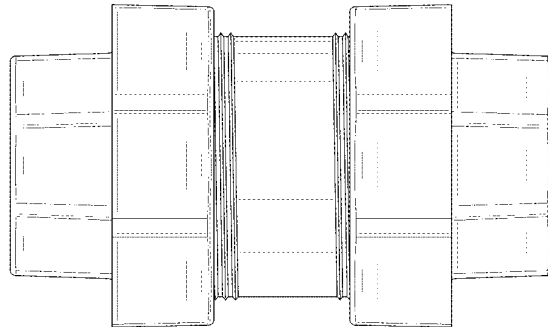
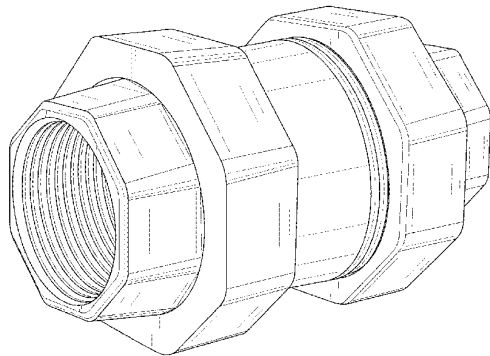
Primary Examiner — Eric Goodman
Assistant Examiner — Amy Wierenga
(74) *Attorney, Agent, or Firm* — Craig A. Simmermon

(57) **CLAIM**
The ornamental design for a double nut zero loss pipe union, as shown and described.

DESCRIPTION

FIG. 1 is a perspective view of double nut zero loss pipe union showing my new design.
FIG. 2 is a top plan view thereof.
FIG. 3 is a bottom plan view thereof.
FIG. 4 is a right side elevation view thereof.
FIG. 5 is a left side elevation view thereof.
FIG. 6 is a front elevation view thereof; and,
FIG. 7 is a rear elevation view thereof.

1 Claim, 7 Drawing Sheets



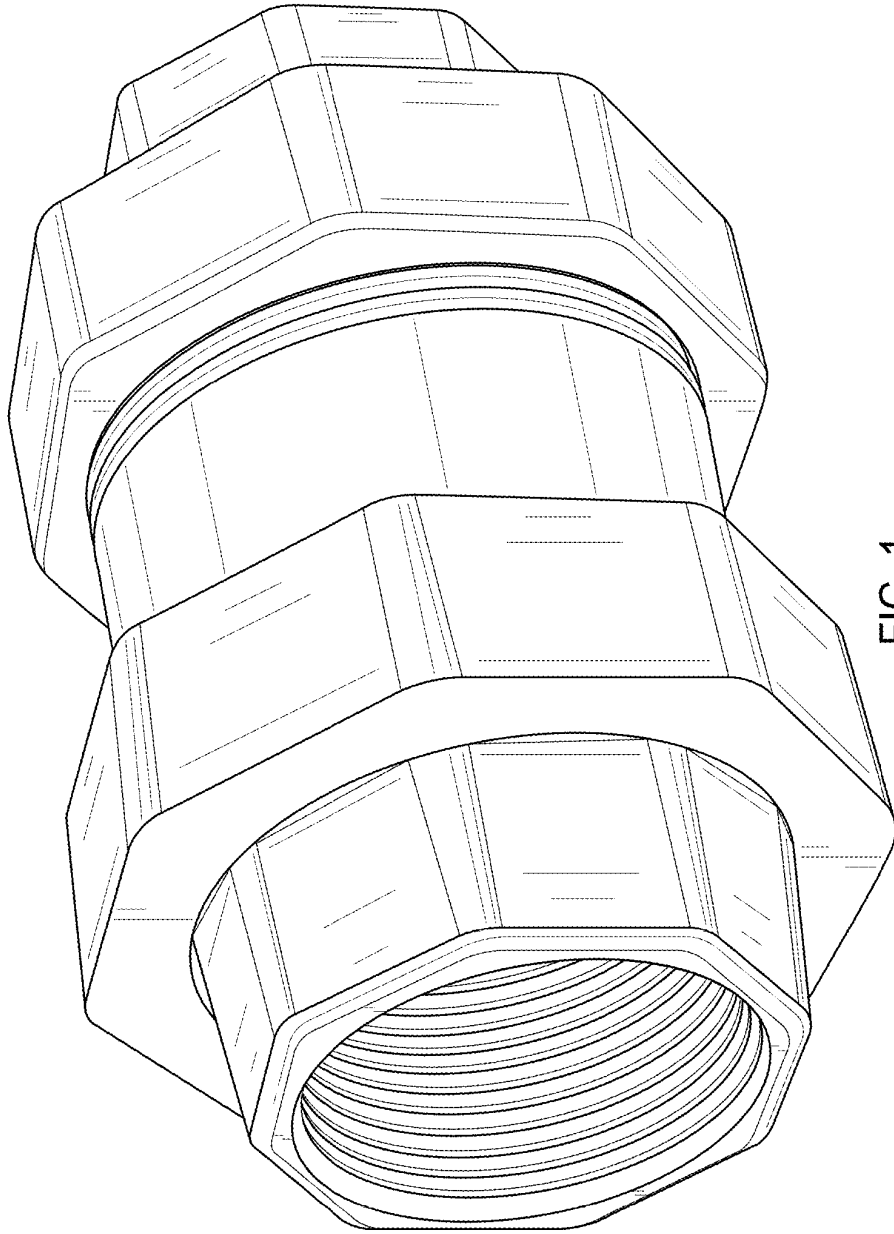


FIG. 1

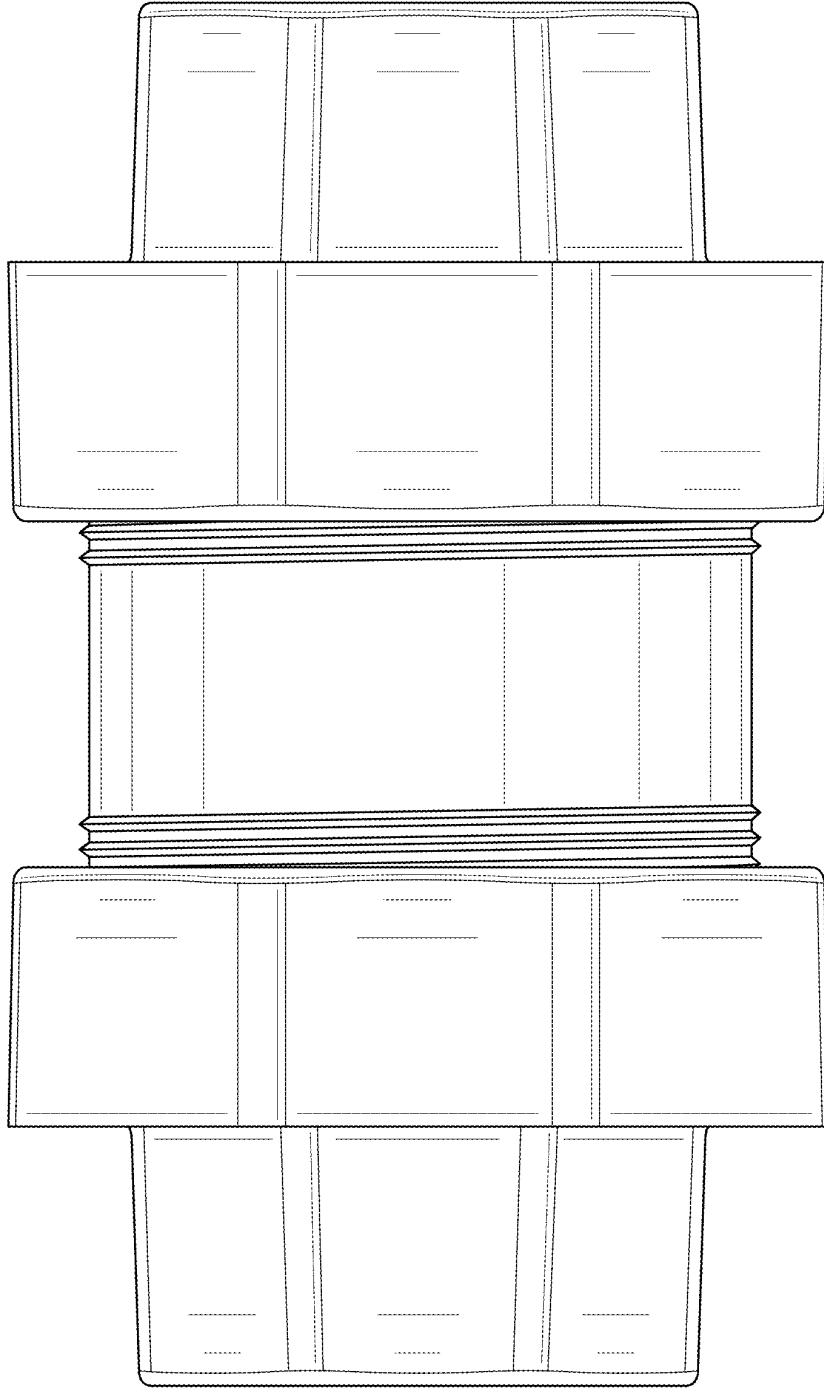


FIG. 2

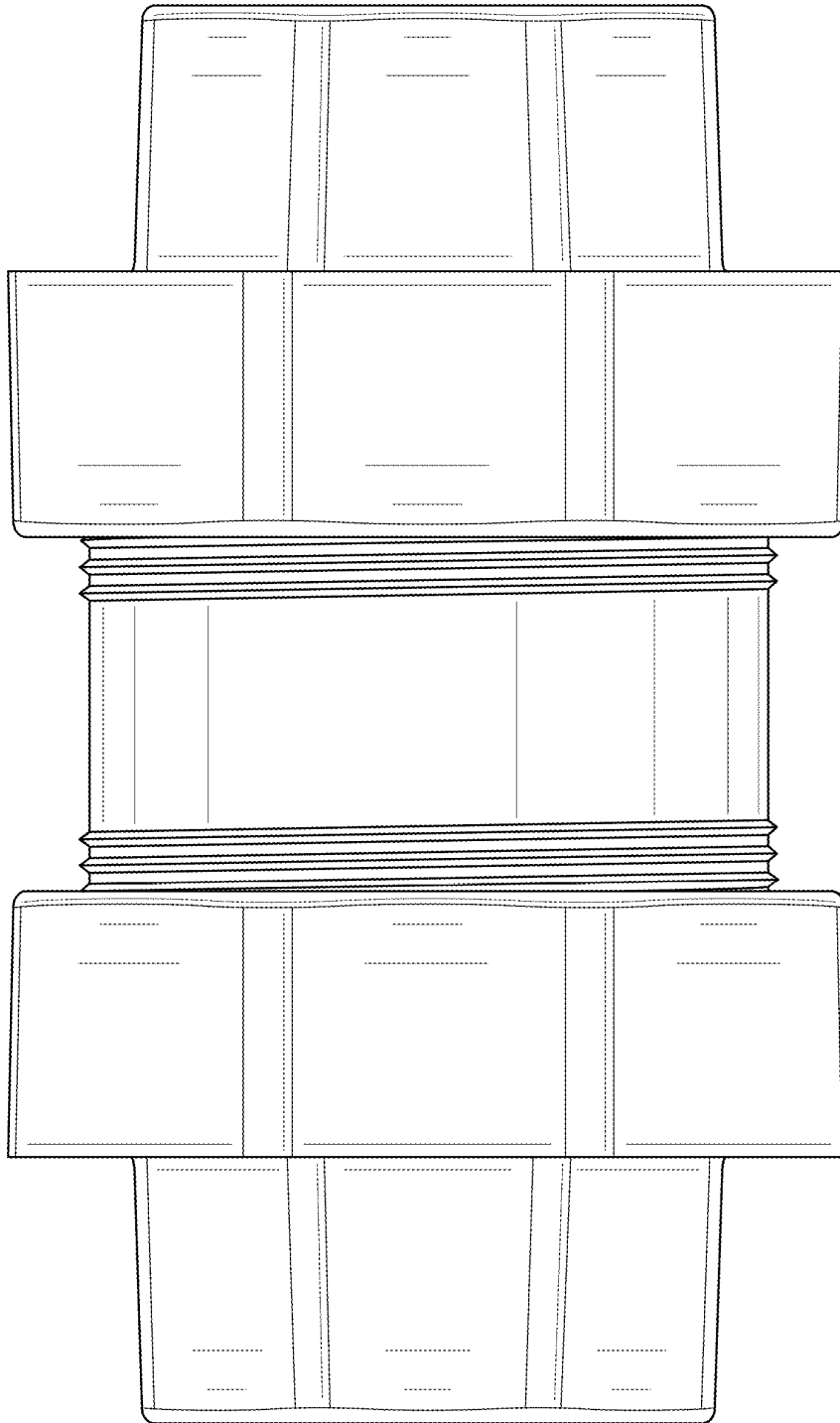


FIG. 3

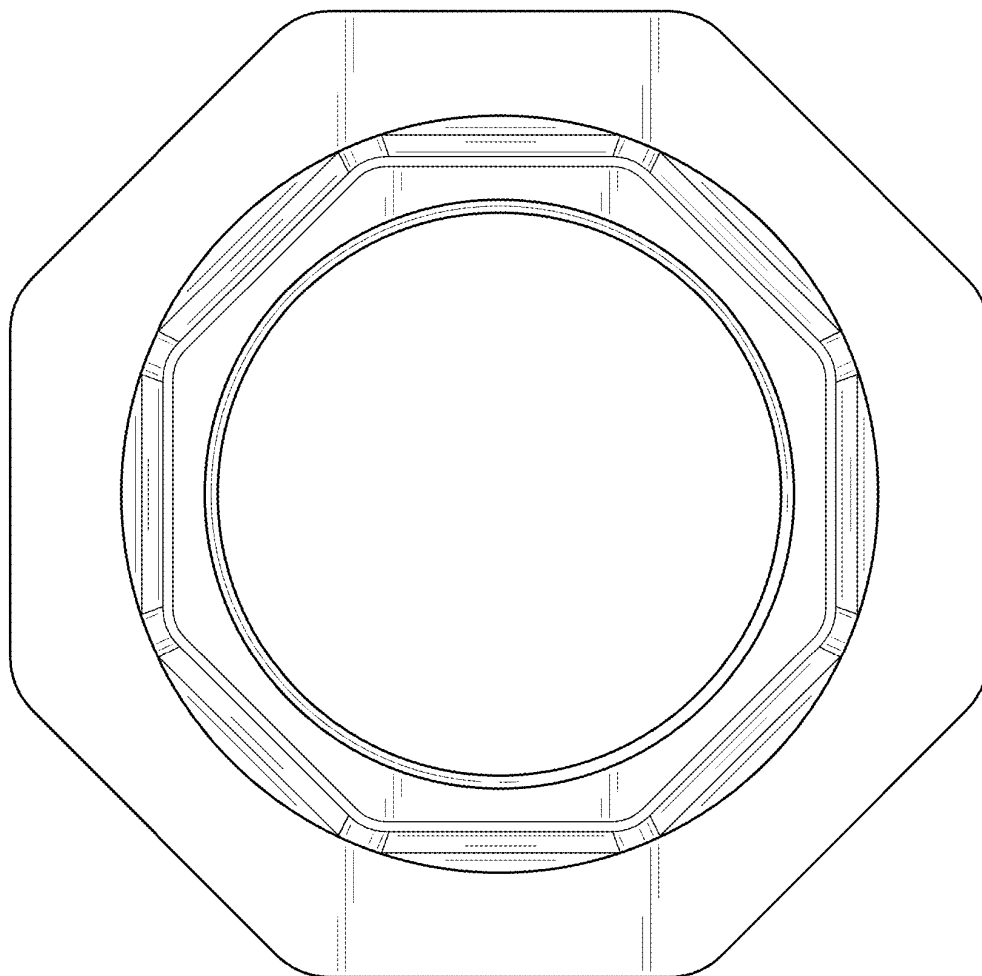


FIG. 4

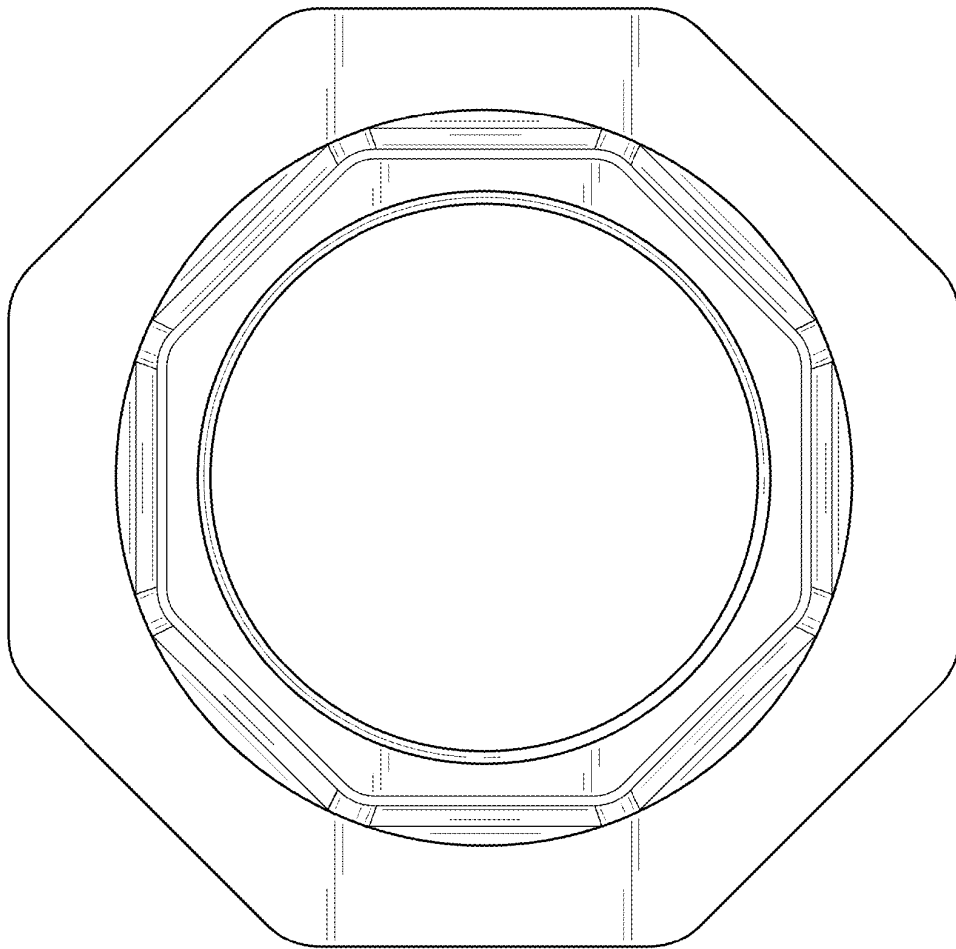


FIG. 5



FIG. 6



FIG. 7