



US00D763978S

(12) **United States Design Patent**
Gustafson

(10) **Patent No.:** **US D763,978 S**

(45) **Date of Patent:** **** *Aug. 16, 2016**

(54) **EXERCISE BALL WITH TWO STEPS**

(56) **References Cited**

(71) Applicant: **Mark Gustafson**, Folsom, CA (US)

U.S. PATENT DOCUMENTS

(72) Inventor: **Mark Gustafson**, Folsom, CA (US)

3,785,642 A * 1/1974 Sterlicchi A63B 43/02
482/26

(*) Notice: This patent is subject to a terminal disclaimer.

D241,869 S * 10/1976 Hilprecht D21/713

D363,752 S * 10/1995 Shumber D21/678

5,566,948 A * 10/1996 Kidd A63B 63/08
273/342

(**) Term: **15 Years**

D568,950 S * 5/2008 Yewer, Jr. D21/662

D634,792 S * 3/2011 Goodman-Pollack D21/453

(21) Appl. No.: **29/527,800**

D651,671 S * 1/2012 Ross D21/662

D659,204 S * 5/2012 Cotter D21/662

D670,040 S * 10/2012 Aboujaoude D30/117

(22) Filed: **May 21, 2015**

2012/0184414 A1* 7/2012 Osborn A63B 21/0085
482/93

Related U.S. Application Data

* cited by examiner

(63) Continuation of application No. 29/491,441, filed on May 21, 2014, now Pat. No. Des. 733,814.

Primary Examiner — Robert M Spear

Assistant Examiner — Ryan Harvey

(51) **LOC (10) Cl.** **21-02**

(74) *Attorney, Agent, or Firm* — Craig A. Simmermon

(52) **U.S. Cl.**

USPC **D21/688**

(58) **Field of Classification Search**

(57) **CLAIM**

The ornamental design for an exercise ball with two steps, as shown and described.

USPC 482/142, 112, 93, 140, 91, 148, 146,
482/52, 147, 121, 139, 14, 34, 79, 145, 44,
482/77, 49, 7, 3, 47; D21/662, 713, 680;
D30/117; 691/23; 473/596, 614, 422,
473/595; 297/311, 354.1, 411.3, 452.1,
297/452.41, 271.5, 258.1, 270.1, 270.5,
297/344.1, 451.13, 452.17; 248/599;
601/129, 131, 40; 73/379.01, 379.08,
73/379.09; 340/323 R, 384.71; D6/661.3;
273/342; 267/137, 153; 173/162.2;
30/383; 200/18, 6 A; D11/26; D3/215
CPC A63B 23/0211; A63B 2225/62; A63B
41/00; A63B 21/0442; C08F 10/00

See application file for complete search history.

DESCRIPTION

FIG. 1 is a perspective view of an exercise ball with two steps showing my new design.

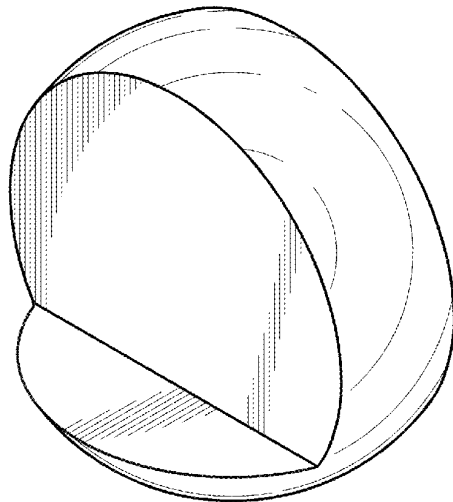
FIG. 2 is a front elevation view thereof.

FIG. 3 is a side elevation view thereof.

FIG. 4 is a top plan view thereof; and,

FIG. 5 is a bottom plan view thereof.

1 Claim, 2 Drawing Sheets



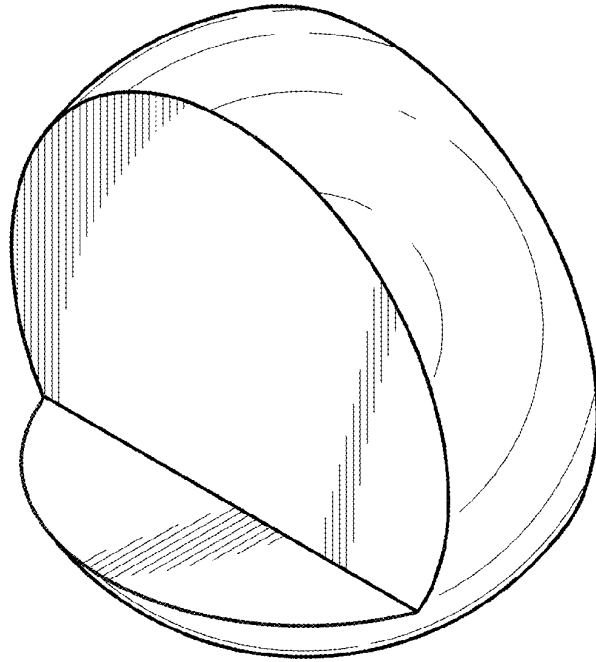


FIG. 1

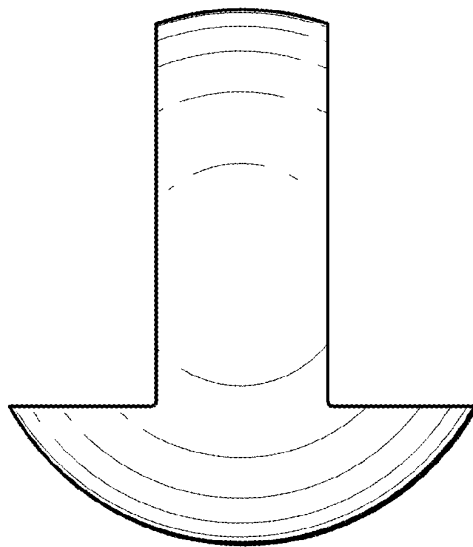


FIG. 2

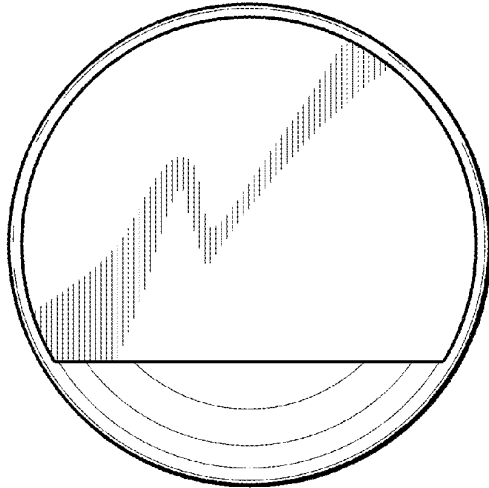


FIG. 3

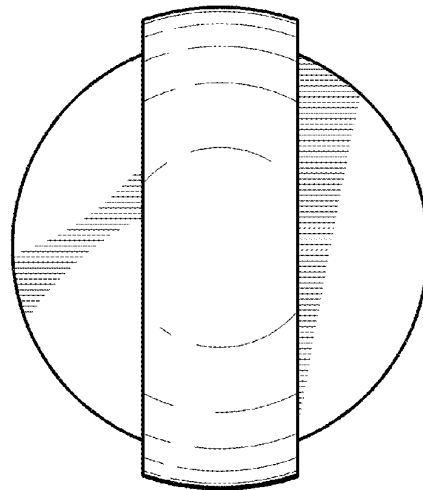


FIG. 4

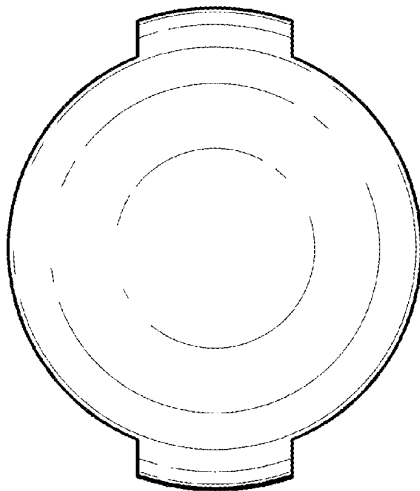


FIG. 5