



US00D754430S

(12) **United States Design Patent**
Abel

(10) **Patent No.:** **US D754,430 S**

(45) **Date of Patent:** **** Apr. 26, 2016**

(54) **SCISSOR SHOULDER HOLSTER**
(71) Applicant: **Robert Abel**, Sacramento, CA (US)
(72) Inventor: **Robert Abel**, Sacramento, CA (US)
(**) Term: **14 Years**
(21) Appl. No.: **29/508,994**

Primary Examiner — Catheri Oliver-Garcia
(74) *Attorney, Agent, or Firm* — Craig A. Simmermon

(22) Filed: **Nov. 13, 2014**
(51) **LOC (10) Cl.** **03-01**
(52) **U.S. Cl.**
USPC **D3/224**
(58) **Field of Classification Search**
USPC D3/215, 220, 224, 226, 230, 243, 249;
D2/627; 150/102; 224/198, 260, 579,
224/583, 604–605, 627, 647, 911, 602
CPC A45F 3/02; A45F 3/04; A45F 3/14;
A45C 1/04
See application file for complete search history.

(57) **CLAIM**
The ornamental design for a scissor shoulder holster, as shown and described.

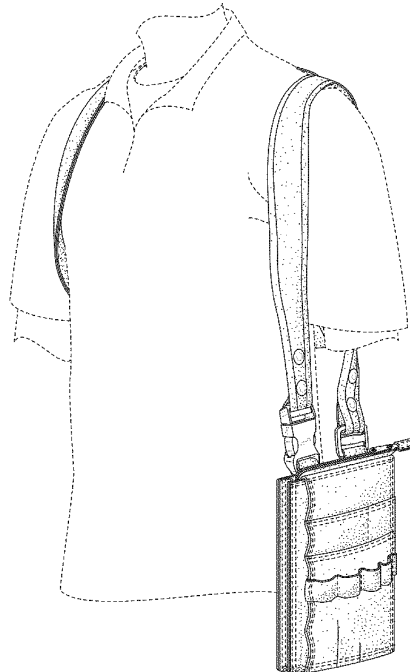
DESCRIPTION

FIG. 1 is a perspective view of a scissor shoulder holster as worn by a person showing my new design;
FIG. 2 is a perspective view of a scissor shoulder holster with scissors, combs, and hairclips stowed therein as worn by a person showing my new design;
FIG. 3 is a perspective view of a scissor shoulder holster showing my new design;
FIG. 4 is a left side elevation view of FIG. 3.
FIG. 5 is a right side elevation view of FIG. 3.
FIG. 6 is a front elevation view of FIG. 3.
FIG. 7 is a front elevation view of FIG. 3 defining cross sectional planes 10-10, 11-11, and 12-12.
FIG. 8 is a top plan view of FIG. 3.
FIG. 9 is a bottom plan view of FIG. 3.
FIG. 10 is a cross sectional view taken from lines 10-10 in FIG. 7.
FIG. 11 is a cross sectional view taken from lines 11-11 in FIG. 7; and,
FIG. 12 is a cross sectional view taken from lines 12-12 in FIG. 7.
The broken lines depict environmental structure and form no part of the claimed design.

(56) **References Cited**
U.S. PATENT DOCUMENTS
3,739,961 A * 6/1973 Soukeras A45C 1/04
224/579
3,796,357 A * 3/1974 Johnson A45F 3/02
224/602
D245,461 S * 8/1977 Jones, Jr. D3/230
D343,733 S * 2/1994 Brask D3/230
D555,355 S * 11/2007 Ispan D3/232
D708,436 S * 7/2014 Cariglio D2/829

* cited by examiner

1 Claim, 10 Drawing Sheets



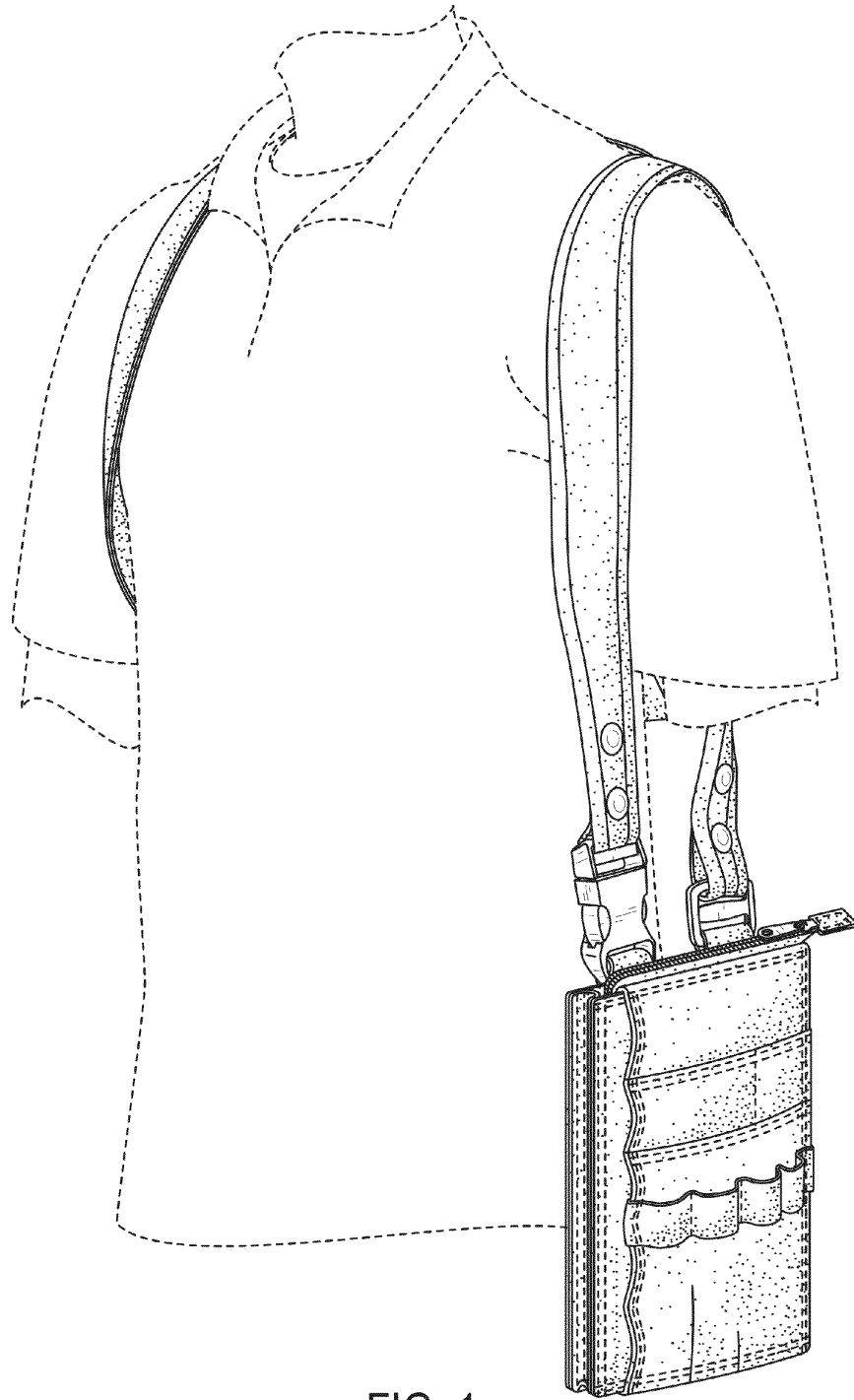


FIG. 1

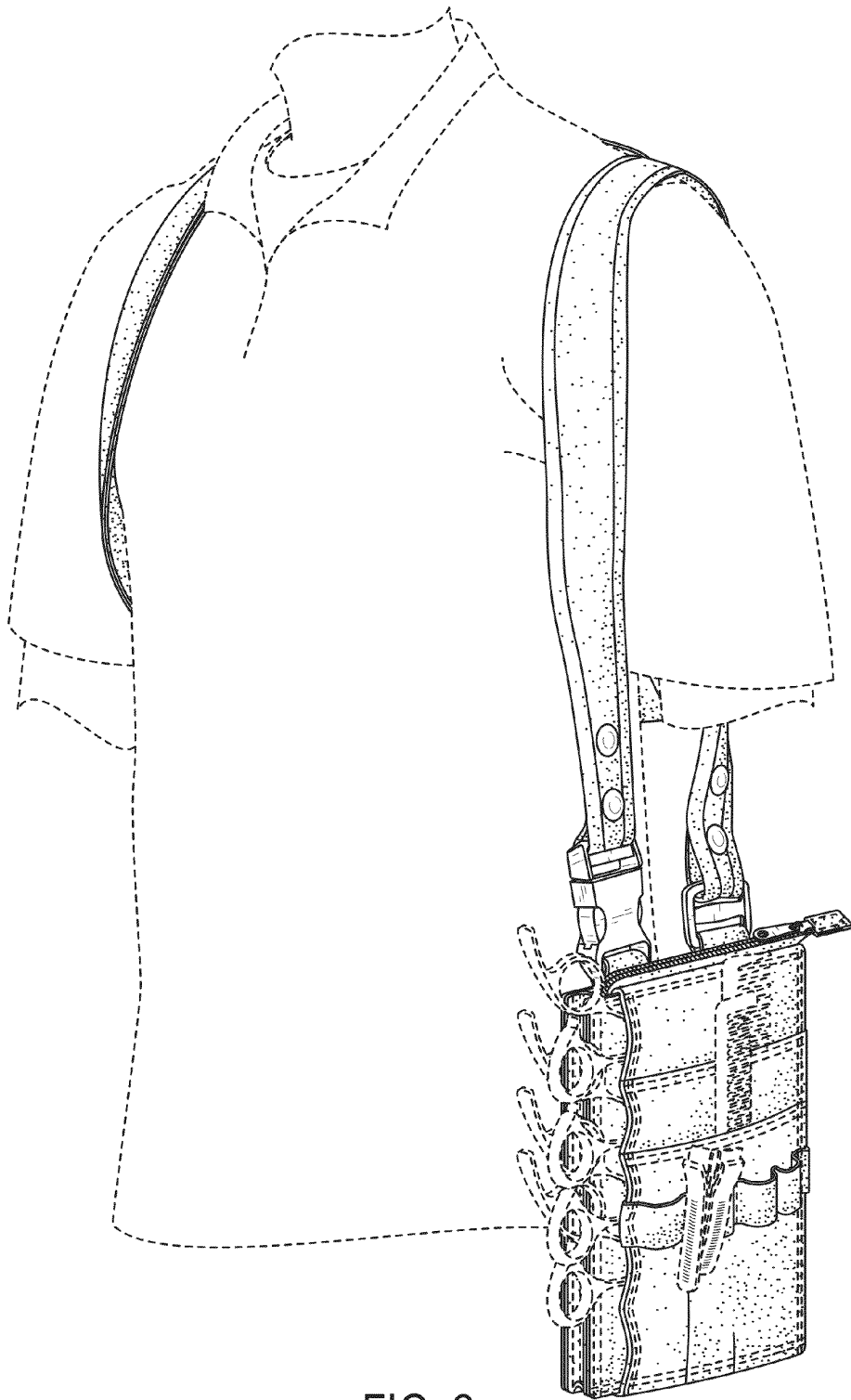


FIG. 2

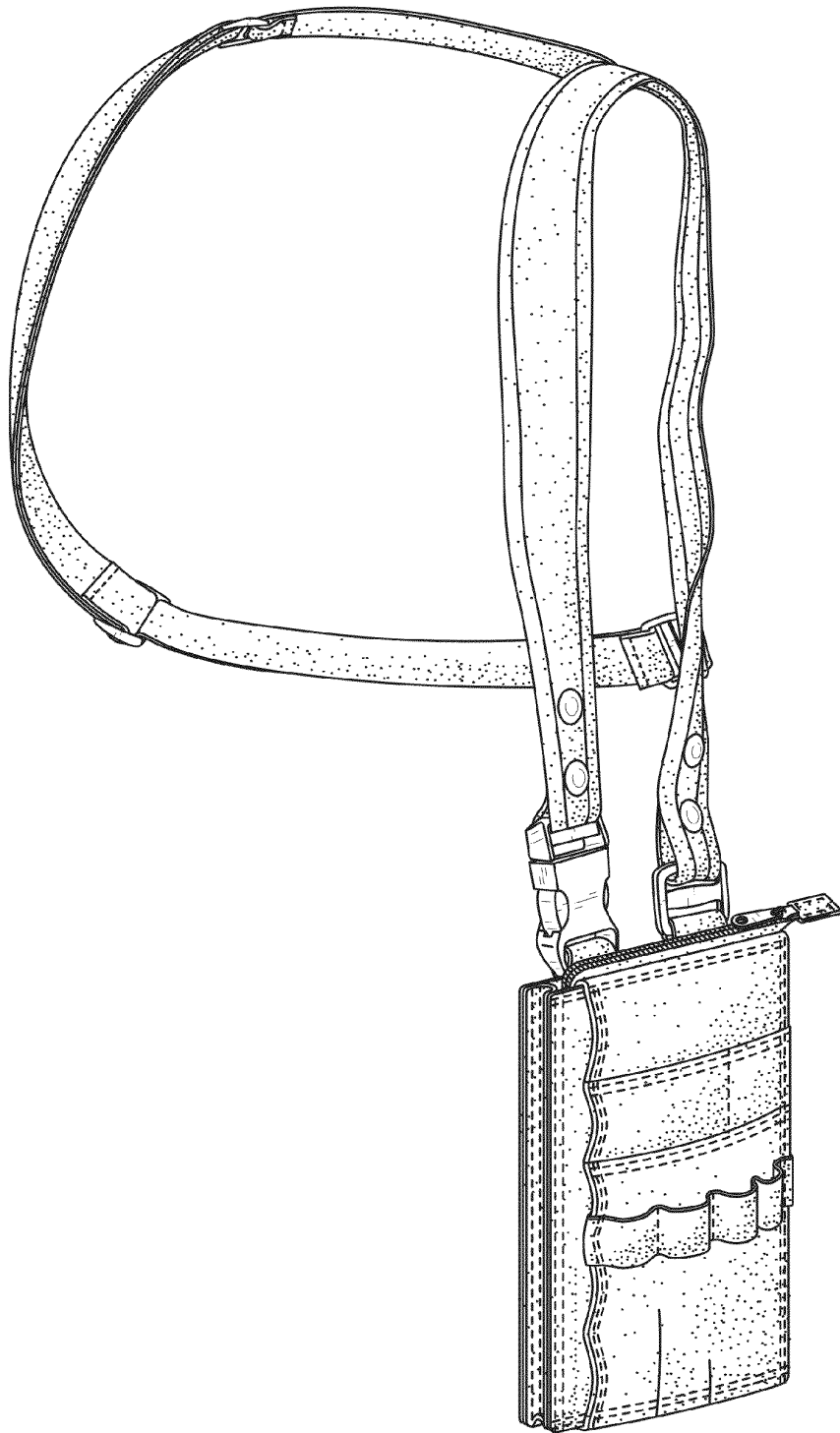


FIG. 3

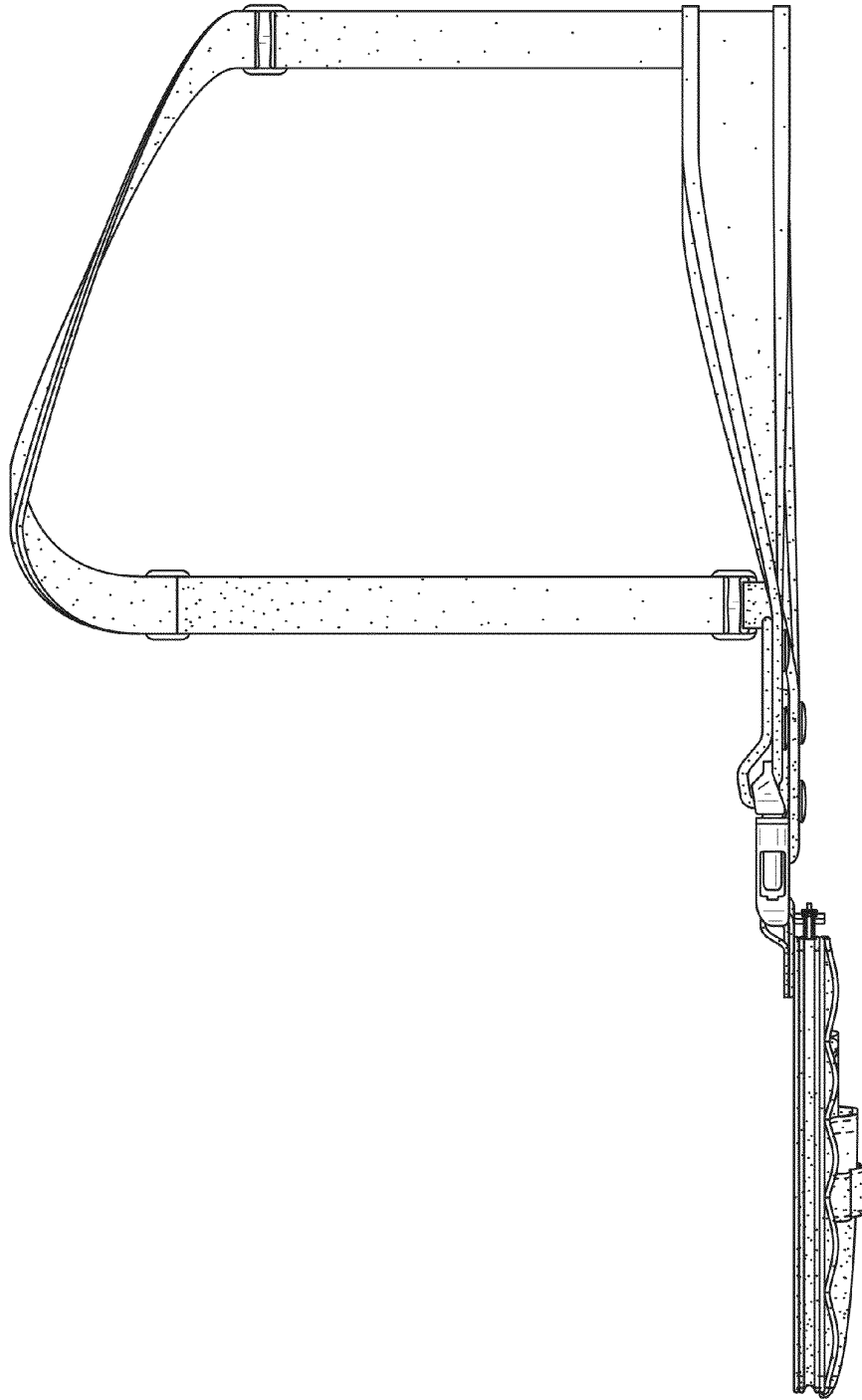


FIG. 4

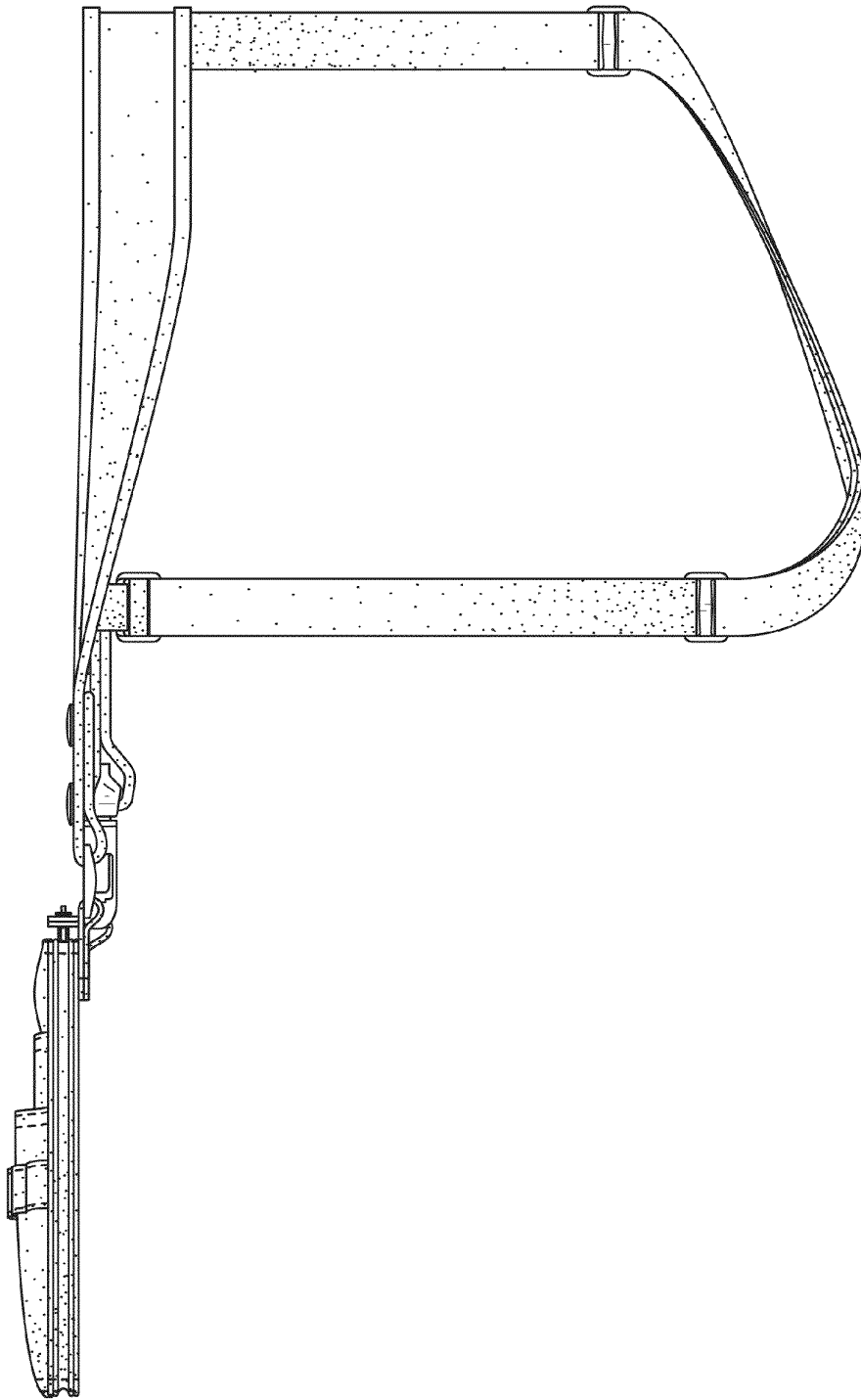


FIG. 5

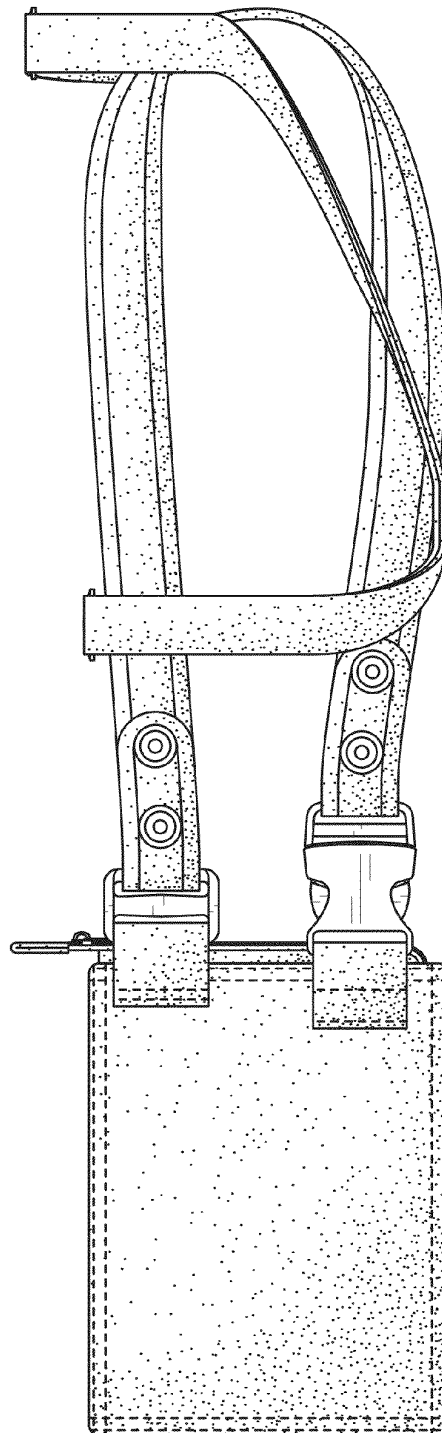


FIG. 6

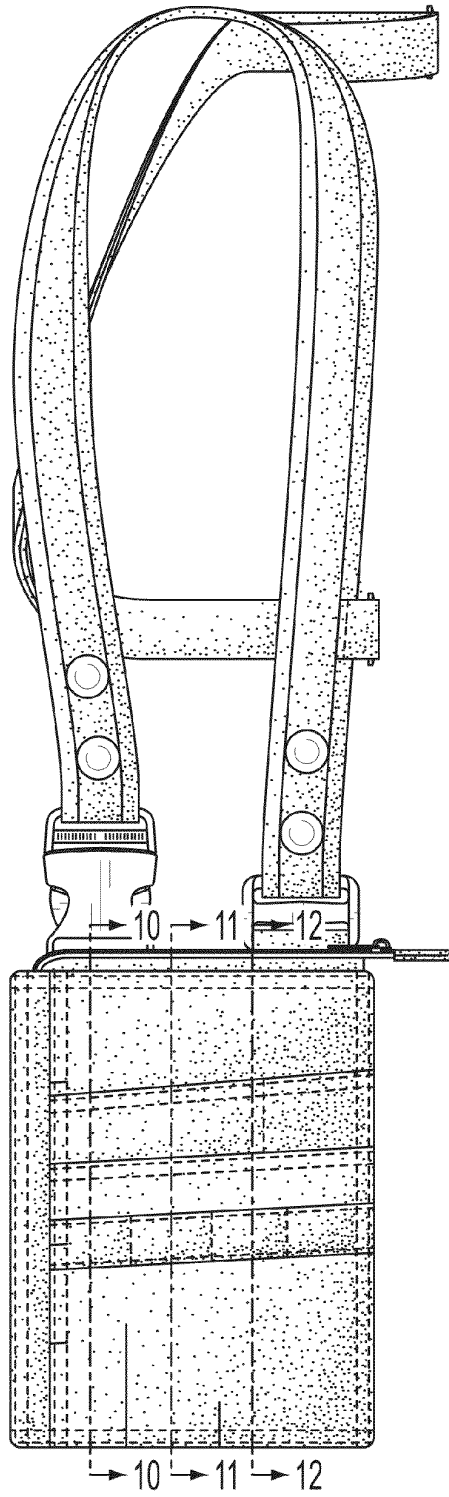


FIG. 7

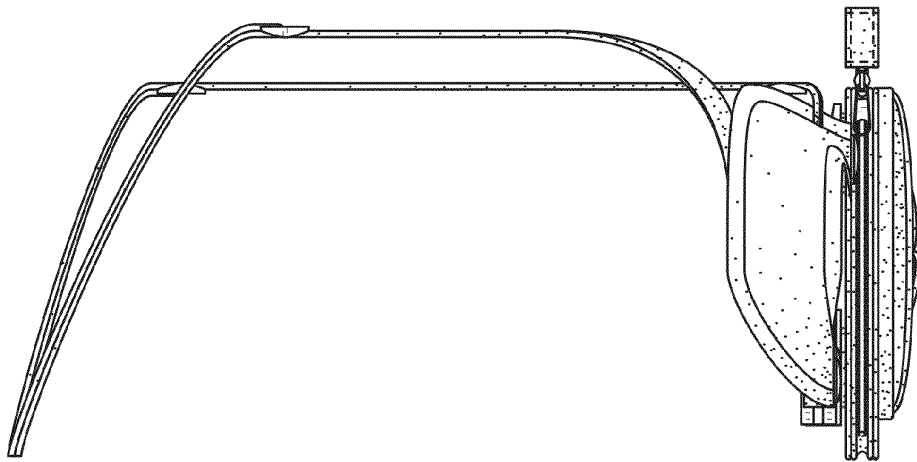


FIG. 8

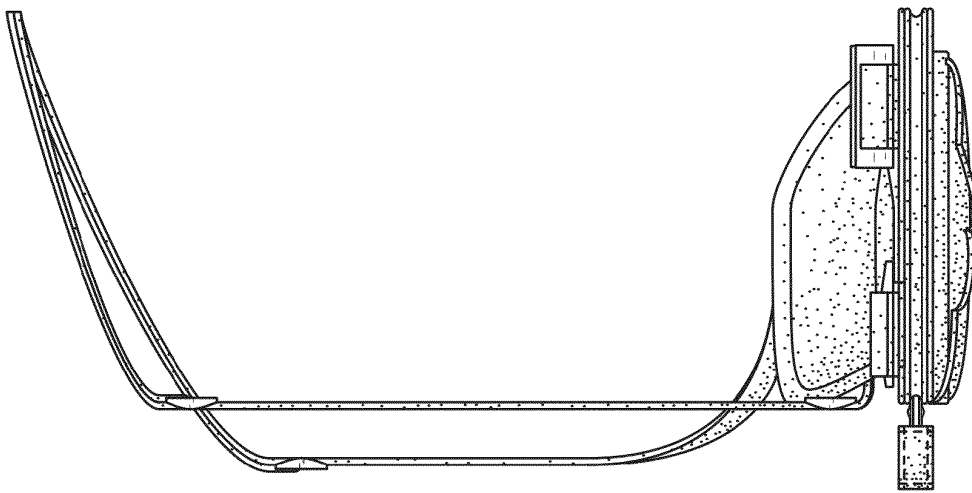


FIG. 9

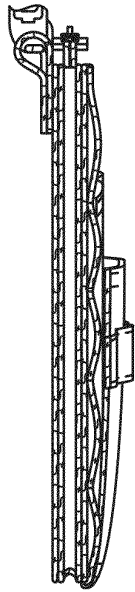


FIG. 10

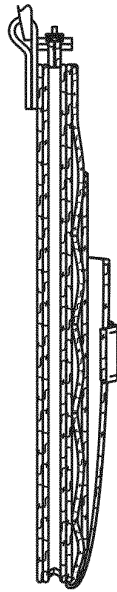


FIG. 11

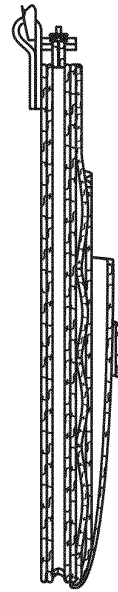


FIG. 12