



US00D724519S

(12) **United States Design Patent**
Baker

(10) **Patent No.:** **US D724,519 S**
(45) **Date of Patent:** **** Mar. 17, 2015**

(54) **CUSTOM-SIZED VEHICLE FENDER COVER**

(71) Applicant: **Bob Baker**, Sacramento, CA (US)

(72) Inventor: **Bob Baker**, Sacramento, CA (US)

(**) Term: **14 Years**

(21) Appl. No.: **29/452,341**

(22) Filed: **Apr. 15, 2013**

(51) **LOC (10) Cl.** **12-16**

(52) **U.S. Cl.**
USPC **D12/401**

(58) **Field of Classification Search**
USPC D12/401-405; 160/370.21, 370.22,
160/370.23; 280/770; 150/158, 165-167;
296/136.01, 95.1, 84.1, 77.1;
135/88.01, 88.1; 224/328

See application file for complete search history.

(56) **References Cited**

U.S. PATENT DOCUMENTS

3,349,784	A	*	10/1967	Roberts	135/161
D492,640	S	*	7/2004	Greene et al.	D12/401
D496,322	S	*	9/2004	Farney et al.	D12/401
D540,245	S	*	4/2007	Gupta	D12/401
D621,777	S	*	8/2010	Shmul	D12/401

D623,582	S	*	9/2010	Smith	D12/401
D637,134	S	*	5/2011	Kaiser	D12/318
D665,722	S	*	8/2012	Fujita	D12/401
D693,288	S	*	11/2013	Martinez	D12/401
D694,169	S	*	11/2013	Fontanilla	D12/401
8,708,027	B2	*	4/2014	Howie et al.	160/368.1

* cited by examiner

Primary Examiner — Katrina A Betton

(74) *Attorney, Agent, or Firm* — Craig A. Simmermon

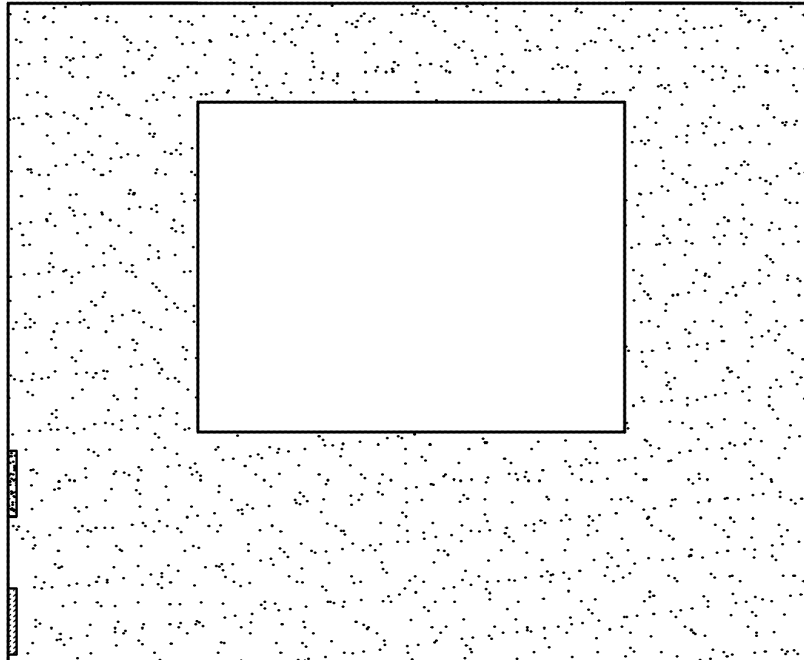
(57) **CLAIM**

The ornamental design for a custom-sized vehicle fender cover, as shown and described.

DESCRIPTION

FIG. 1 is a perspective view of custom-sized vehicle fender cover shown in its environmental use;
FIG. 2 is a top plan view of FIG. 1;
FIG. 3 is a left side elevational view of FIG. 1;
FIG. 4 is a front elevational view of FIG. 1; and,
FIG. 5 is a top plan view of custom-sized vehicle fender cover showing the one-piece aspect of my new design, in a flat condition, and not in its environmental use.
In the drawings, the broken lines depict a vehicle that forms no part of the claimed design.

1 Claim, 5 Drawing Sheets



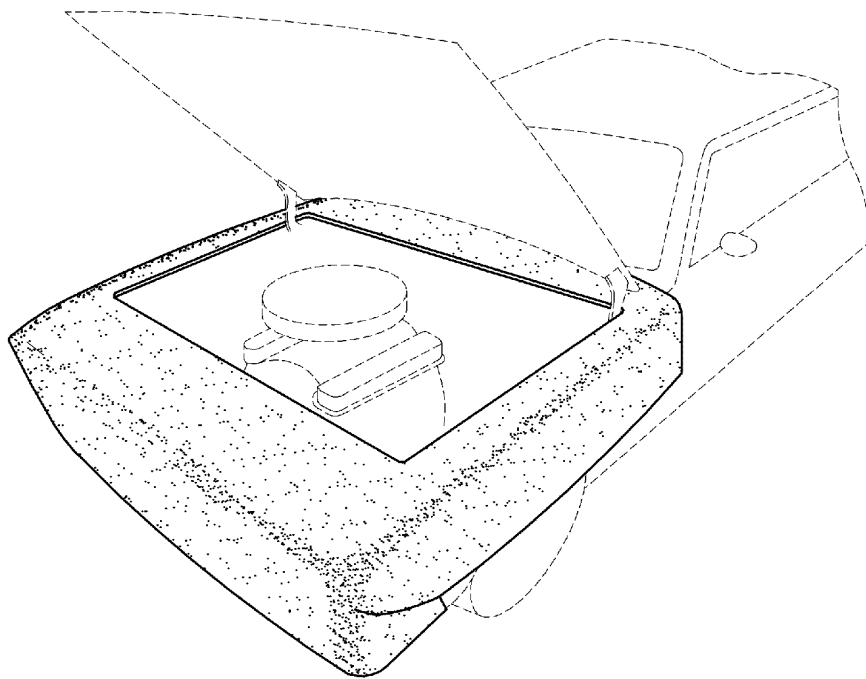


FIG. 1

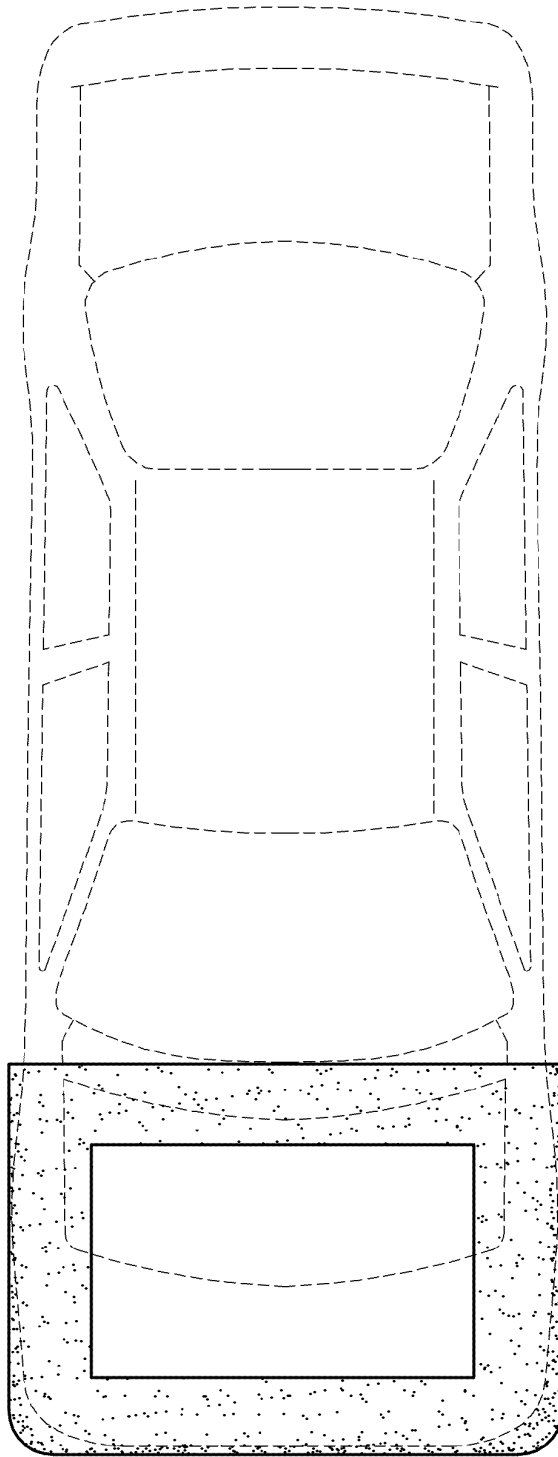


FIG. 2

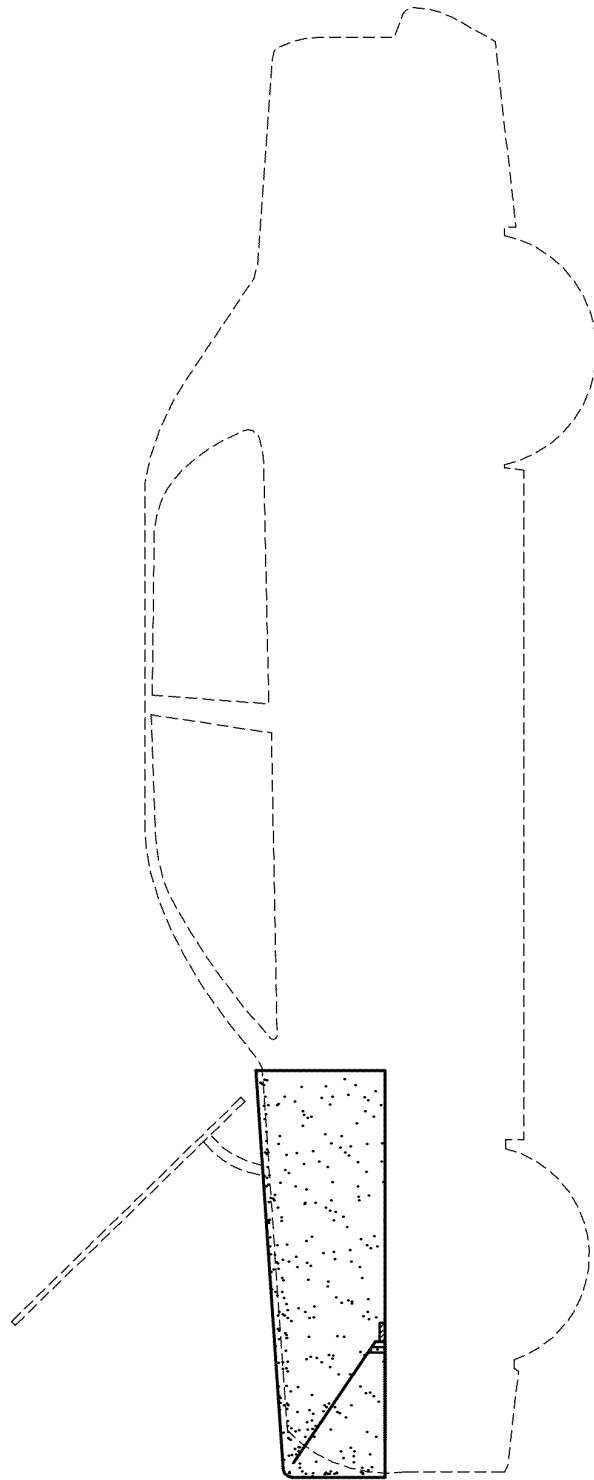


FIG. 3

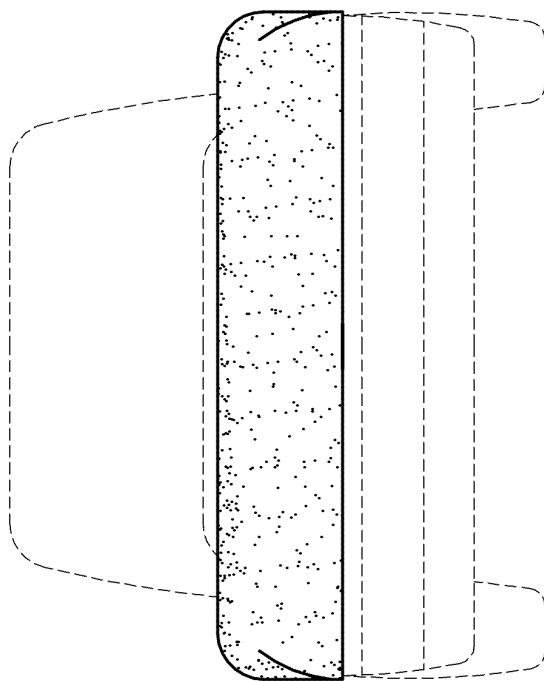


FIG. 4

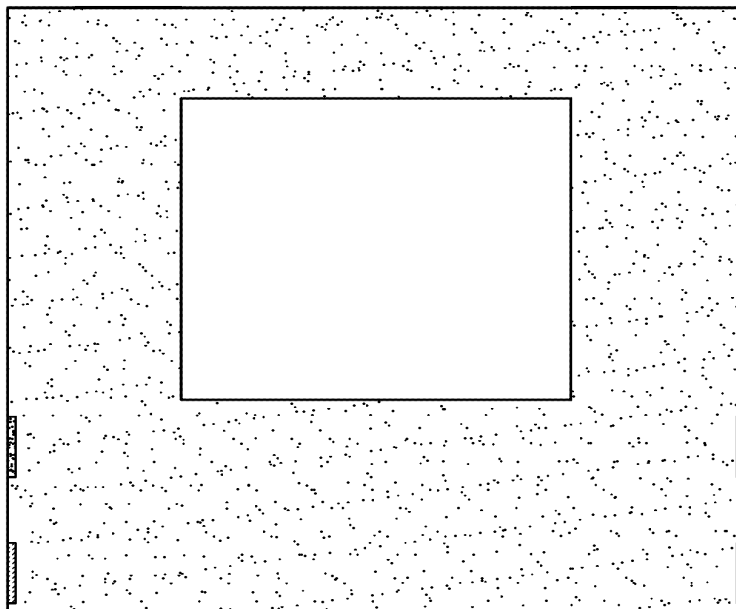


FIG. 5