



US00D614374S

(12) **United States Design Patent**  
**Anderson**

(10) **Patent No.:** **US D614,374 S**  
(45) **Date of Patent:** **\*\* Apr. 20, 2010**

(54) **PLANT WATER COLLECTION CONTAINER**

2004/0206761 A1\* 10/2004 Frantz ..... 220/570  
2005/0247129 A1\* 11/2005 Carragan ..... 73/426

(76) Inventor: **George Anderson**, 7420 SW. Laview Dr., Portland, OR (US) 97219

\* cited by examiner

(\*\*) Term: **14 Years**

*Primary Examiner*—Cynthia E Ramirez  
(74) *Attorney, Agent, or Firm*—Craig A. Simmermon

(21) Appl. No.: **29/342,389**

(57) **CLAIM**

(22) Filed: **Aug. 24, 2009**

The ornamental design for a plant water collection container, as shown and described.

(51) **LOC (9) Cl.** ..... **07-07**

(52) **U.S. Cl.** ..... **D32/53**

(58) **Field of Classification Search** ..... D32/53,  
D32/53.1; 206/505–507; 220/694–702,  
220/735, 773–774, 776; 15/264–265, 257.05,  
15/257.06; D10/46.2; 294/55, 49; 73/426–429;  
D7/691

See application file for complete search history.

**DESCRIPTION**

FIG. 1 is a top perspective view of a plant water collection container showing my new design;

FIG. 2 is another top perspective view thereof;

FIG. 3 is a bottom perspective view thereof;

FIG. 4 is another bottom perspective view thereof;

FIG. 5 is a top plan view thereof;

FIG. 6 is a bottom plan view thereof;

FIG. 7 is a front elevation view thereof;

FIG. 8 is a rear elevation view thereof;

FIG. 9 is a side elevation view thereof;

FIG. 10 is a top view defining cross sectional planes 11–11 and 12–12;

FIG. 11 is a cross sectional view taken from lines 11–11 in FIG. 10; and,

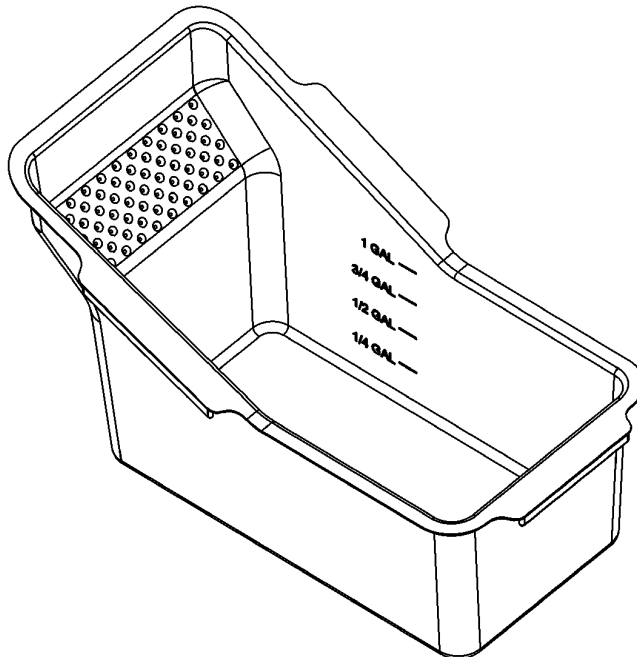
FIG. 12 is a cross sectional view taken from lines 12–12 in FIG. 10.

(56) **References Cited**

**U.S. PATENT DOCUMENTS**

3,947,135	A *	3/1976	Hawk	.....	401/121
D260,722	S *	9/1981	Bateman	.....	D7/691
D339,991	S *	10/1993	Mulry et al.	.....	D10/46.2
D352,869	S *	11/1994	Lathrop	.....	D7/691
5,918,922	A *	7/1999	Lathrop et al.	.....	294/55
D418,068	S *	12/1999	Robbins, III	.....	D10/46.2
7,191,913	B2 *	3/2007	Byrne	.....	220/570
D544,669	S *	6/2007	Casteel et al.	.....	D32/53
D549,913	S *	8/2007	Bergman	.....	D32/53
D556,409	S *	11/2007	Yoo	.....	D32/53
D607,623	S *	1/2010	Hagen	.....	D32/53
D607,624	S *	1/2010	Bergman	.....	D32/54
D608,066	S *	1/2010	Pearl et al.	.....	D32/53
2001/0042402	A1 *	11/2001	Hoeting et al.	.....	73/427

**1 Claim, 12 Drawing Sheets**



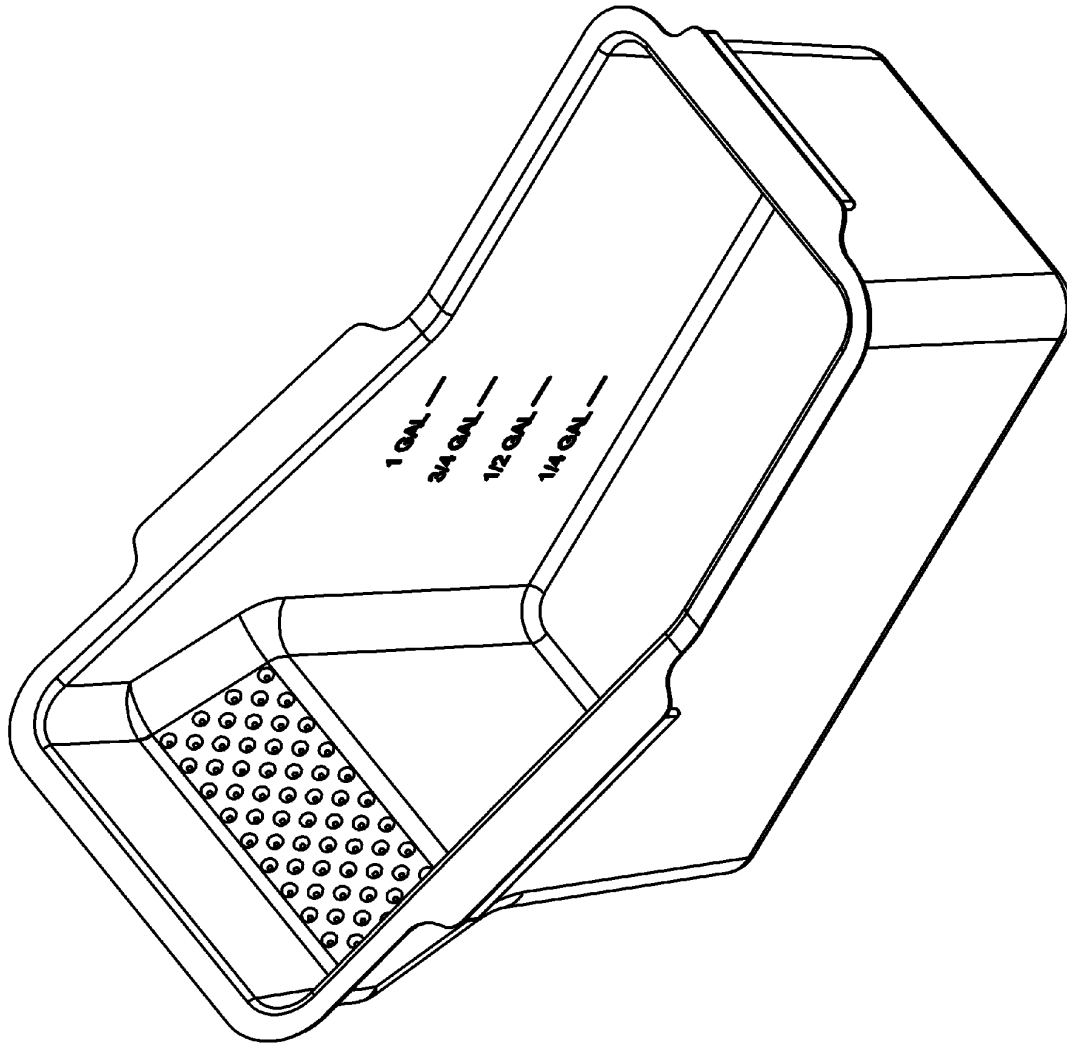


Fig. 1

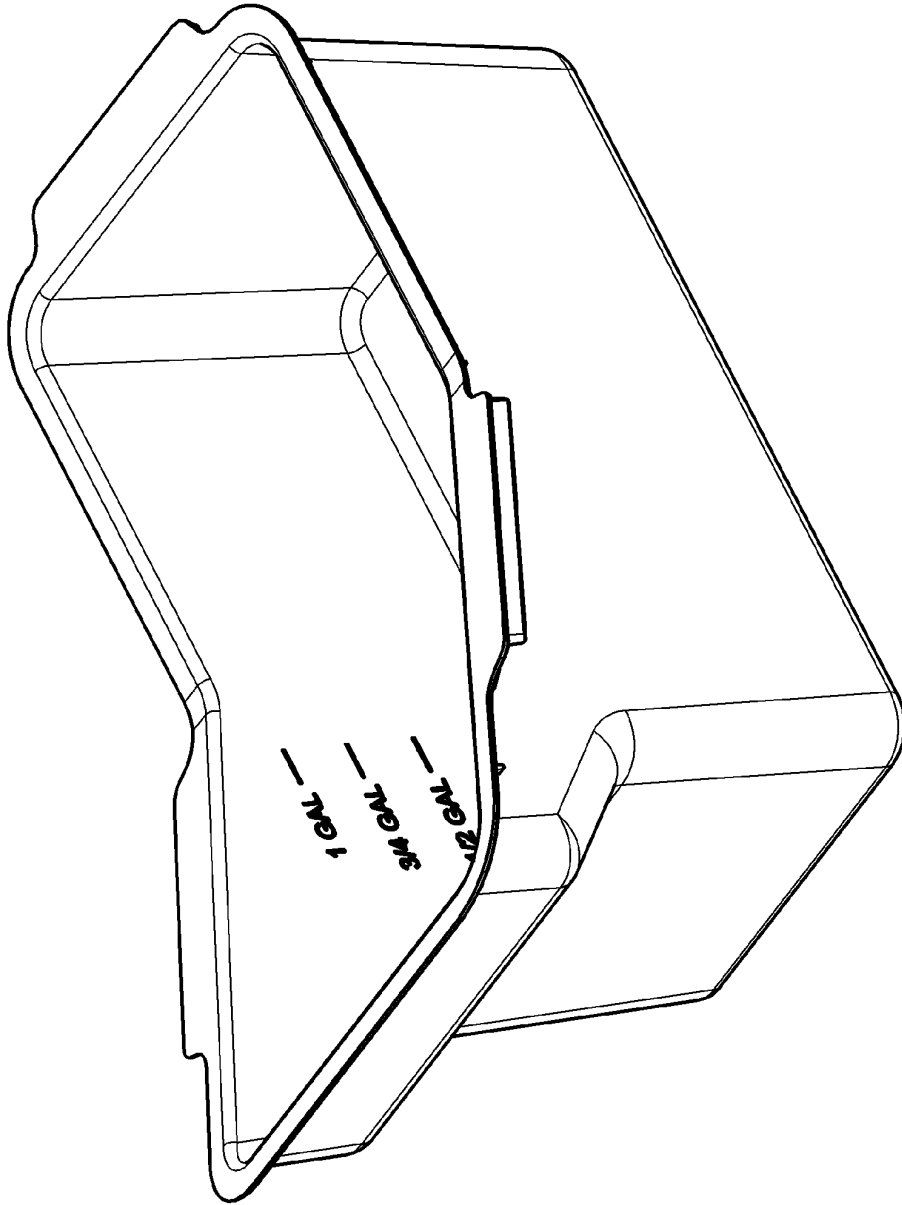
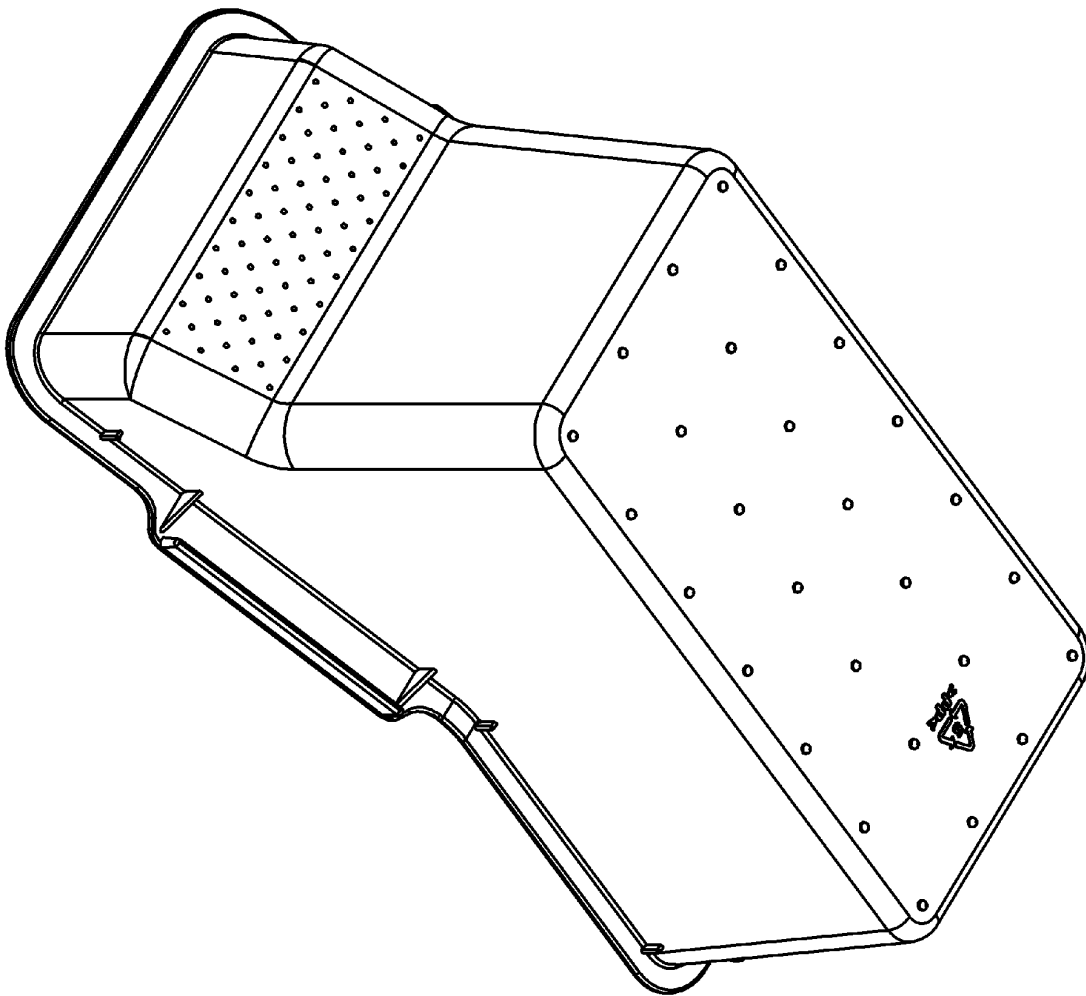


Fig. 2

Fig. 3



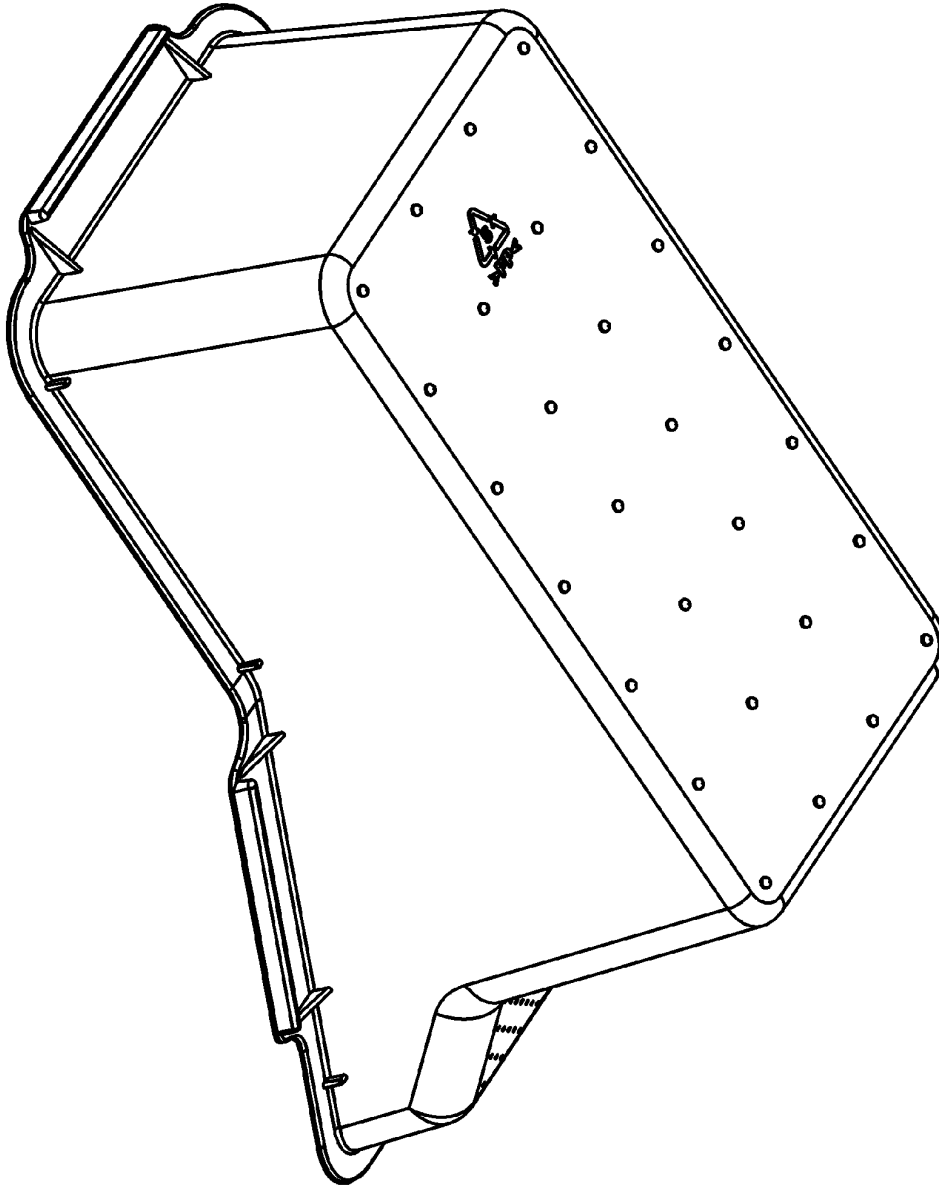


Fig. 4

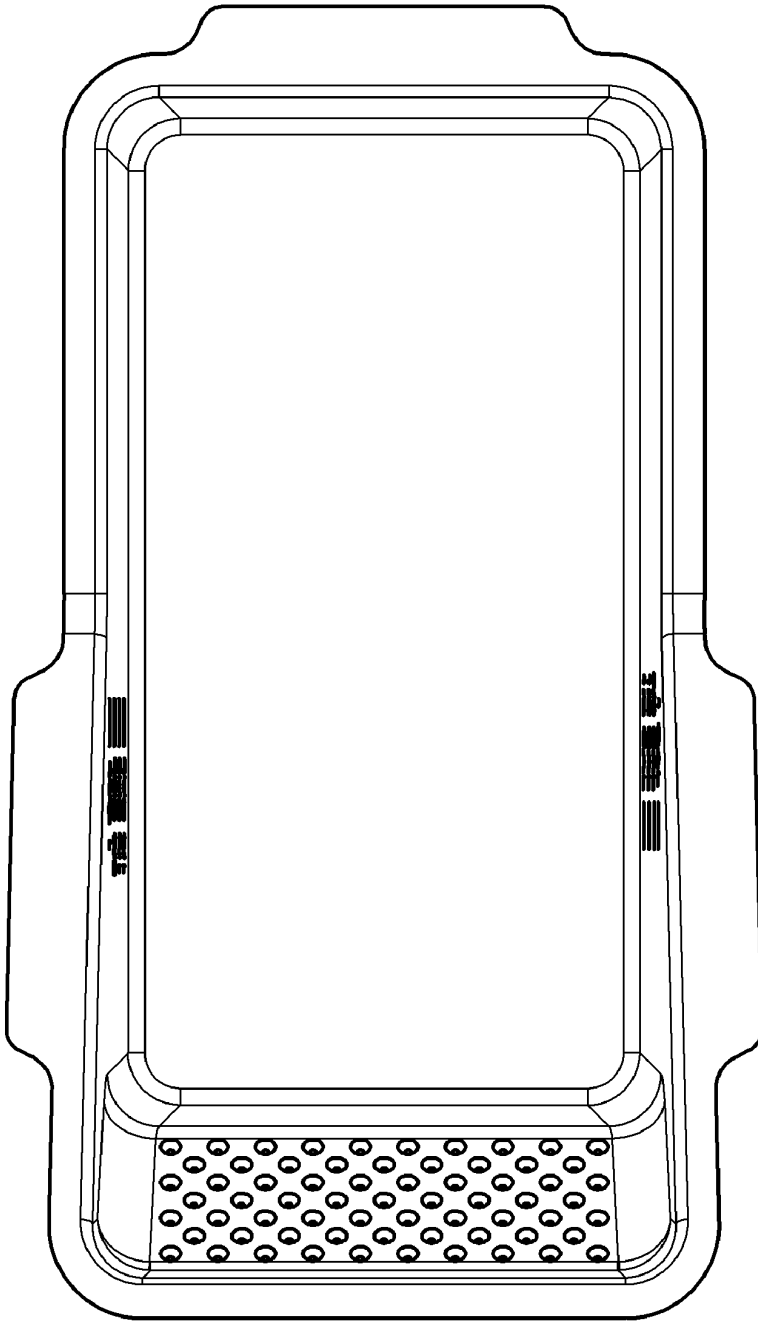


Fig. 5

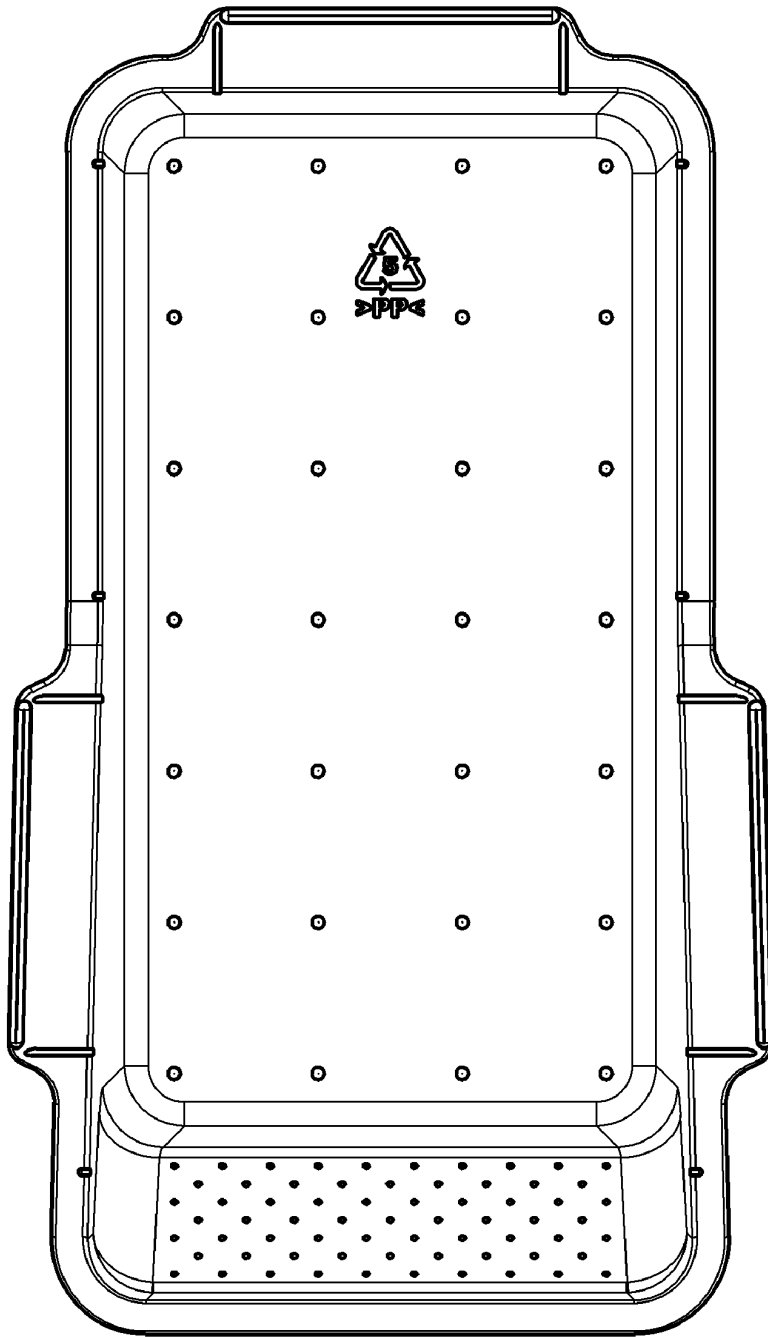


Fig. 6

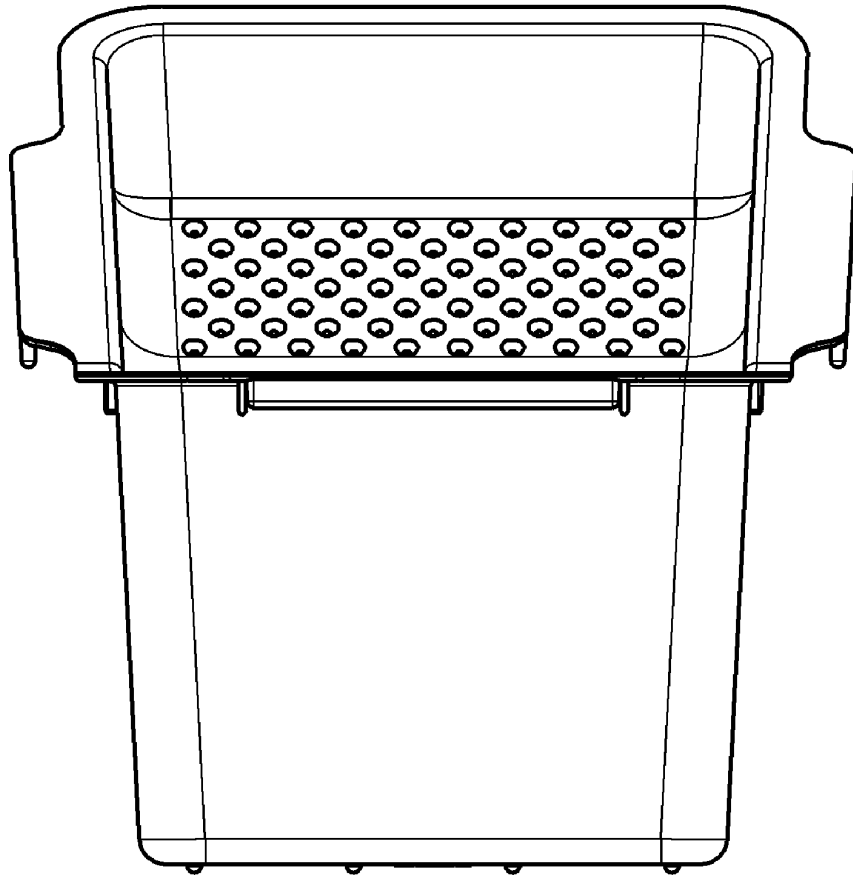


Fig. 7



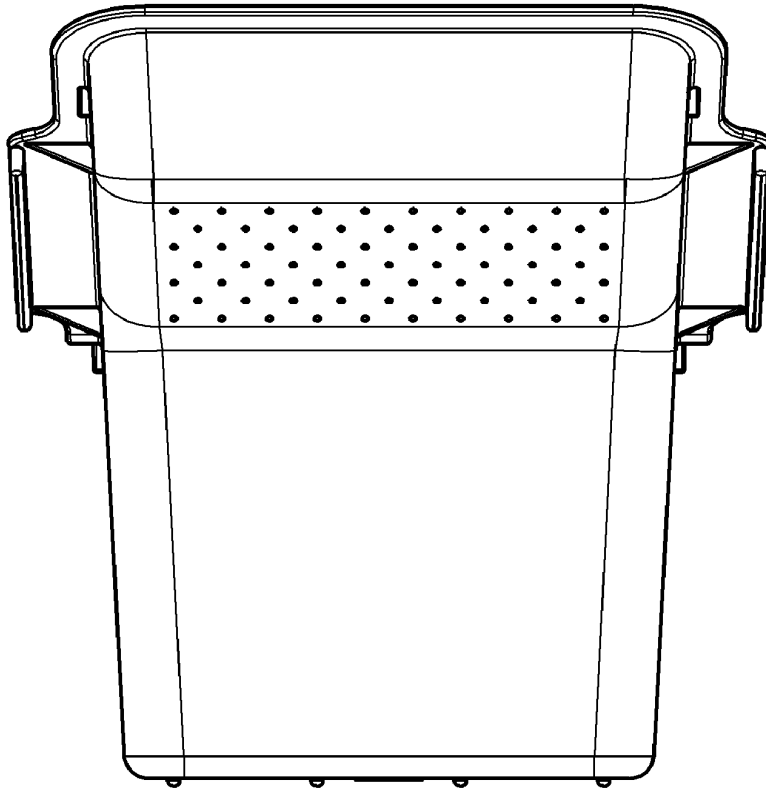


Fig. 8

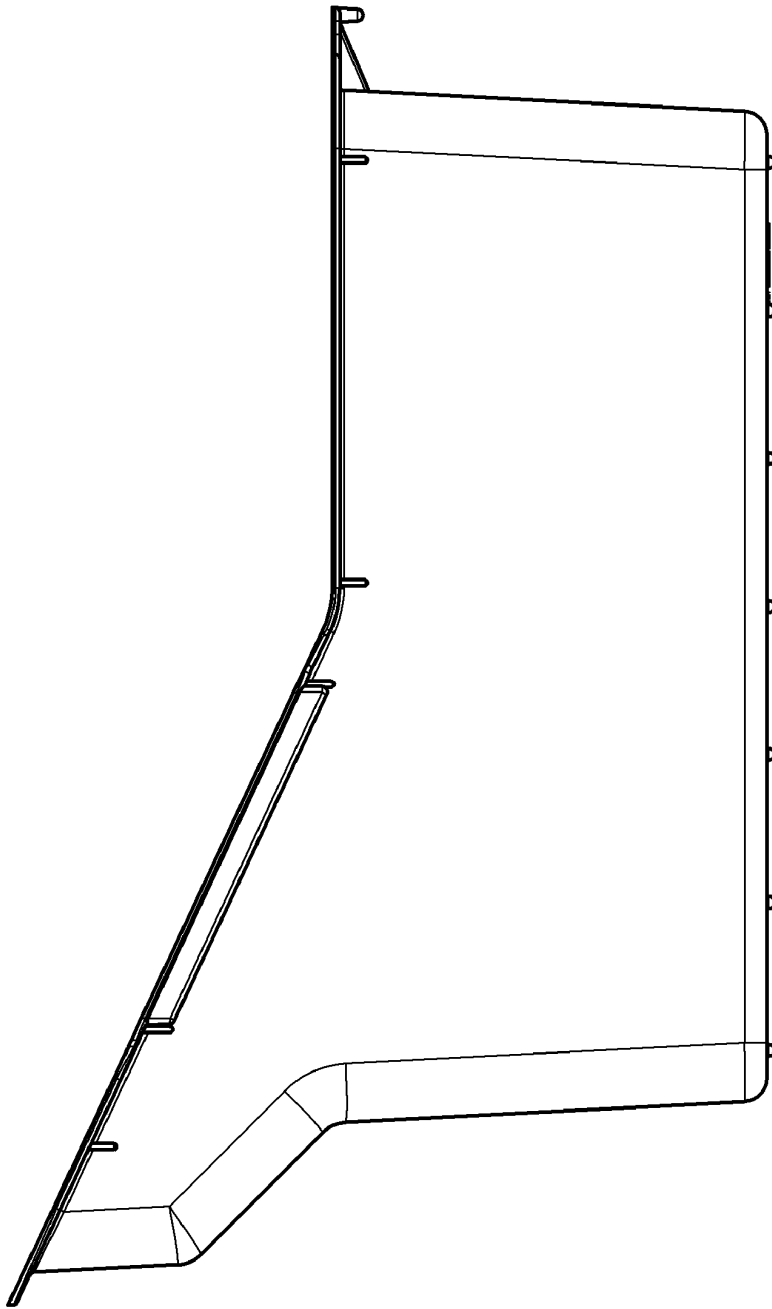


Fig. 9

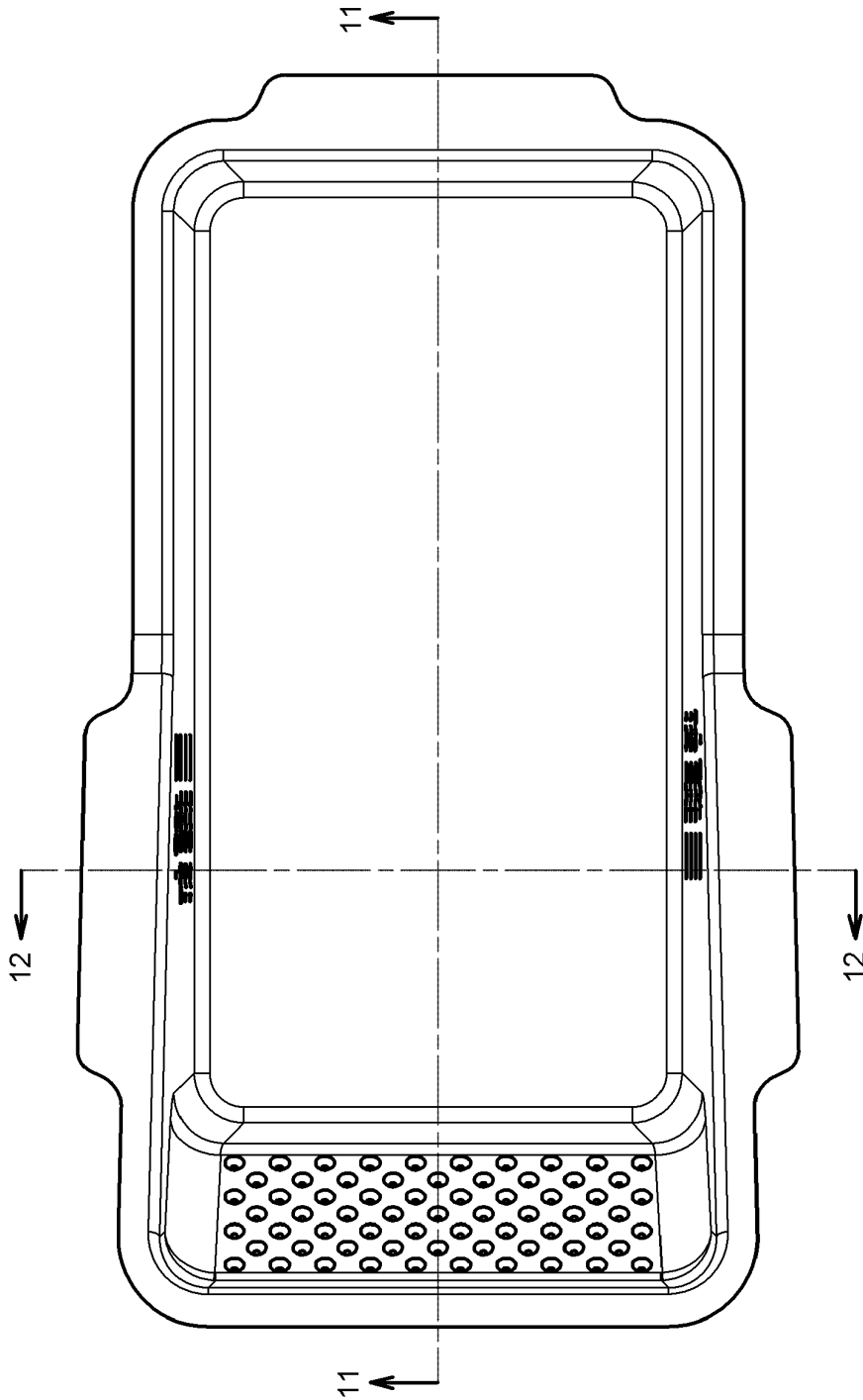


Fig. 10

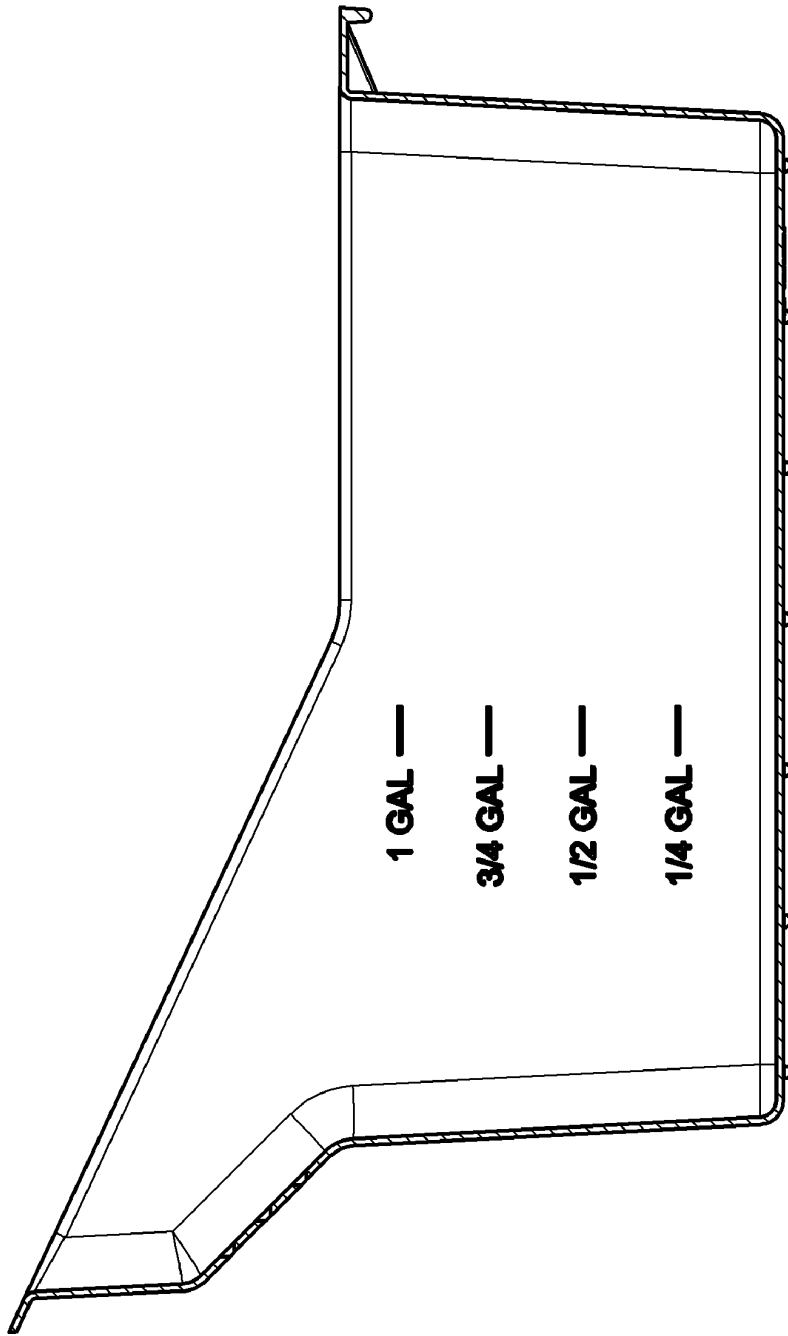


Fig. 11

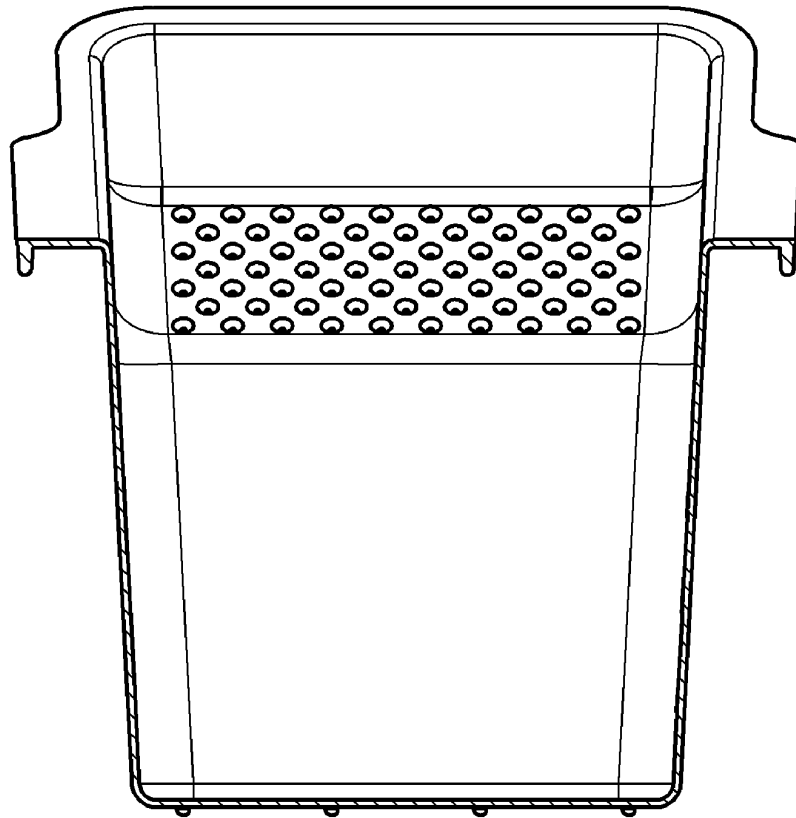


Fig. 12