



US0D1118025S

(12) **United States Design Patent**
Bruns

(10) **Patent No.:** **US D1,118,025 S**

(45) **Date of Patent:** **** Mar. 10, 2026**

(54) **COMBINATION PET BED AND REMOVABLE
PET PROTECTION LAYER**

(71) Applicant: **Michael S Bruns**, Folsom, CA (US)

(72) Inventor: **Michael S Bruns**, Folsom, CA (US)

(**) Term: **15 Years**

(21) Appl. No.: **29/959,502**

(22) Filed: **Aug. 26, 2024**

(51) **LOC (15) Cl.** **30-06**

(52) **U.S. Cl.** **D30/118**

(58) **Field of Classification Search**

USPC D30/118, 161; D21/520, 834, 838;
D6/596, 601, 390, 382, 385-387, 406.3

CPC A01K 1/0353; A01K 1/035; A01K 1/0356;
A01K 1/00; A01K 1/0272; A47C 17/68;
A47D 15/003; A47D 15/001; A47D 5/00

See application file for complete search history.

(56) **References Cited**

U.S. PATENT DOCUMENTS

D284,520	S	*	7/1986	Handler	D6/601
D289,572	S	*	4/1987	Wanat	D30/118
D338,744	S	*	8/1993	Marlon	D30/118
D397,881	S	*	9/1998	Velidedeoglu	D6/382
D404,955	S	*	2/1999	Buonocore	D6/601
D436,235	S	*	1/2001	Watt	D30/118
D701,653	S	*	3/2014	Martinez	D30/118
D717,503	S	*	11/2014	Diskin	D6/601
D731,199	S	*	6/2015	Wei	D6/382
D1,006,338	S	*	11/2023	Tuthill	D30/118
D1,071,590	S	*	4/2025	Jeong	D6/718
D1,087,481	S	*	8/2025	Wang	D30/112
D1,088,627	S	*	8/2025	Amozoc	D6/601
2005/0172908	A1	*	8/2005	Belgiorno	A01K 1/0107 119/166
2006/0272581	A1	*	12/2006	Dunn	A01K 1/0353 119/28.5

2007/0125312	A1	*	6/2007	Boyd	A01K 1/0353 119/721
2008/0236501	A1	*	10/2008	Hargrave	A01K 1/0353 119/28.5
2019/0038036	A1	*	2/2019	Squires	F16B 12/44

(Continued)

FOREIGN PATENT DOCUMENTS

JP D1169541 * 8/2002

Primary Examiner — Aula Soroush

(74) *Attorney, Agent, or Firm* — Craig A. Simmermon

(57) **CLAIM**

The ornamental design for a combination pet bed and removable pet protection layer, as shown and described.

DESCRIPTION

FIG. 1 is a top perspective view of a combination pet bed and removable pet protection layer, with the removable pet protection layer attached, showing my new design;

FIG. 2 is a front elevation view thereof;

FIG. 3 is a rear elevation view thereof;

FIG. 4 is a left side elevation view thereof;

FIG. 5 is a right side elevation view thereof;

FIG. 6 is a top plan view thereof;

FIG. 7 is a bottom plan view thereof;

FIG. 8 is a top perspective view of a combination pet bed and removable pet protection layer, with the removable pet protection layer removed, showing my new design;

FIG. 9 is a front elevation view thereof;

FIG. 10 is a rear elevation view thereof;

FIG. 11 is a left side elevation view thereof;

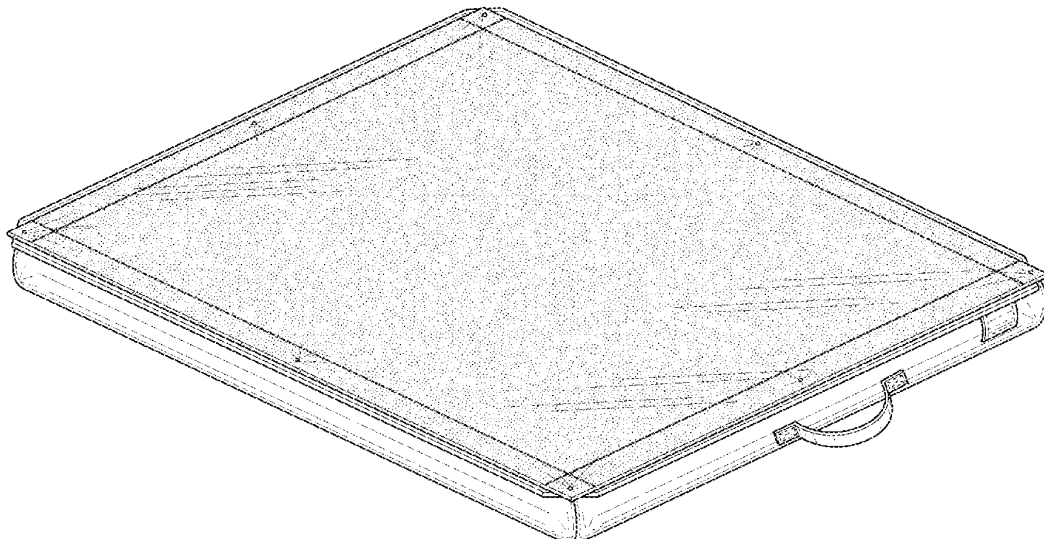
FIG. 12 is a right side elevation view thereof;

FIG. 13 is a top plan view thereof; and,

FIG. 14 is a bottom plan view thereof.

The broken lines represent subject matter that forms no part of the claimed design.

1 Claim, 14 Drawing Sheets



(56)

References Cited

U.S. PATENT DOCUMENTS

2021/0243996 A1* 8/2021 Becker A01K 1/0353
2025/0261613 A1* 8/2025 Prendergast A01K 1/0158

* cited by examiner

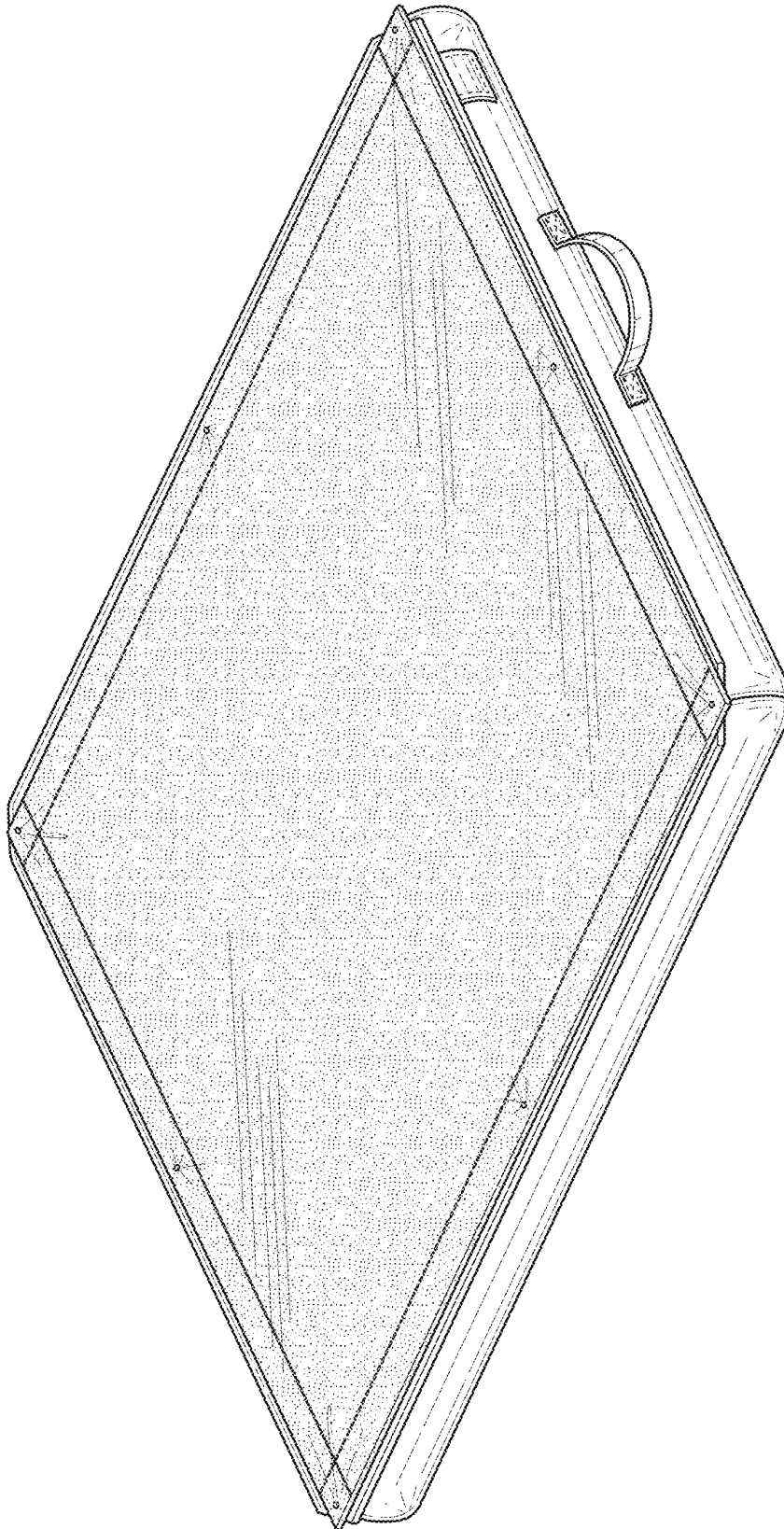


FIG. 1

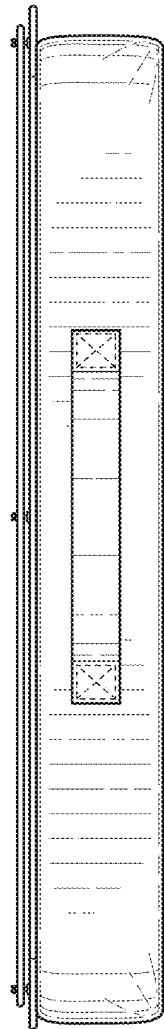


FIG. 2

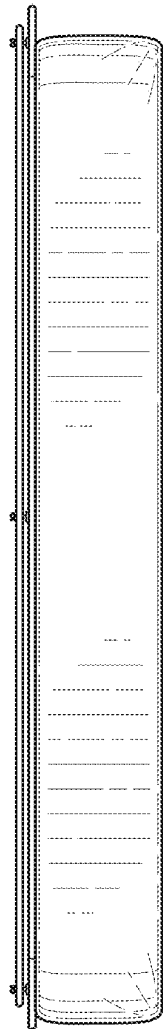


FIG. 3



FIG. 4

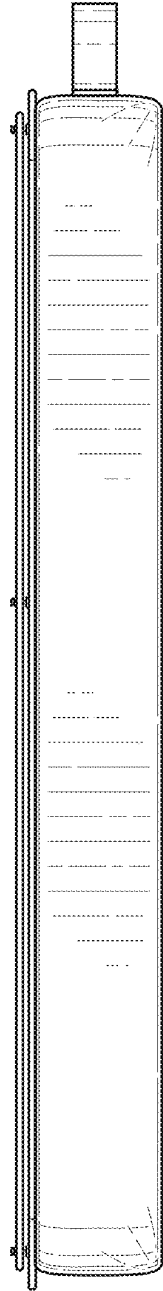


FIG. 5

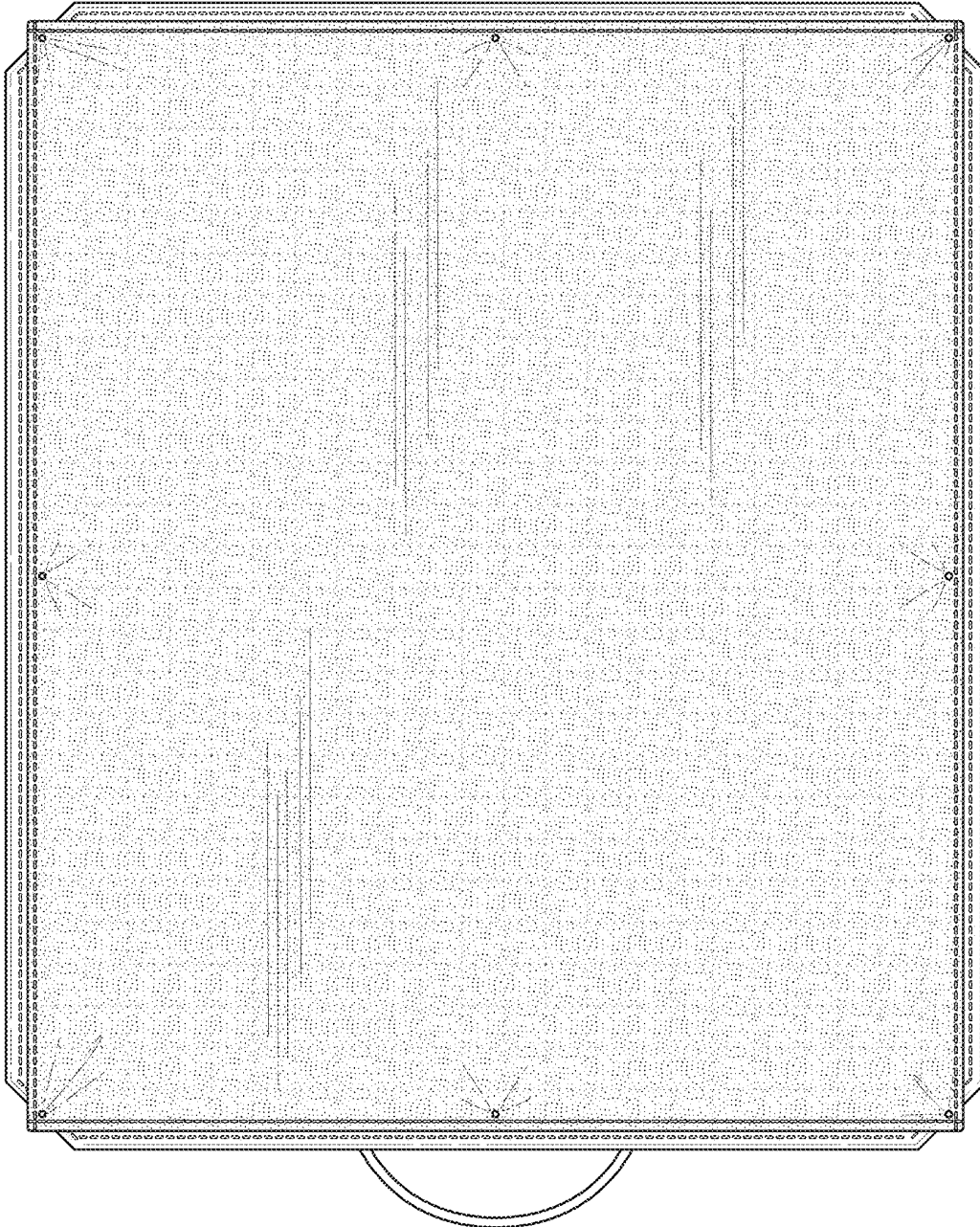


FIG. 6

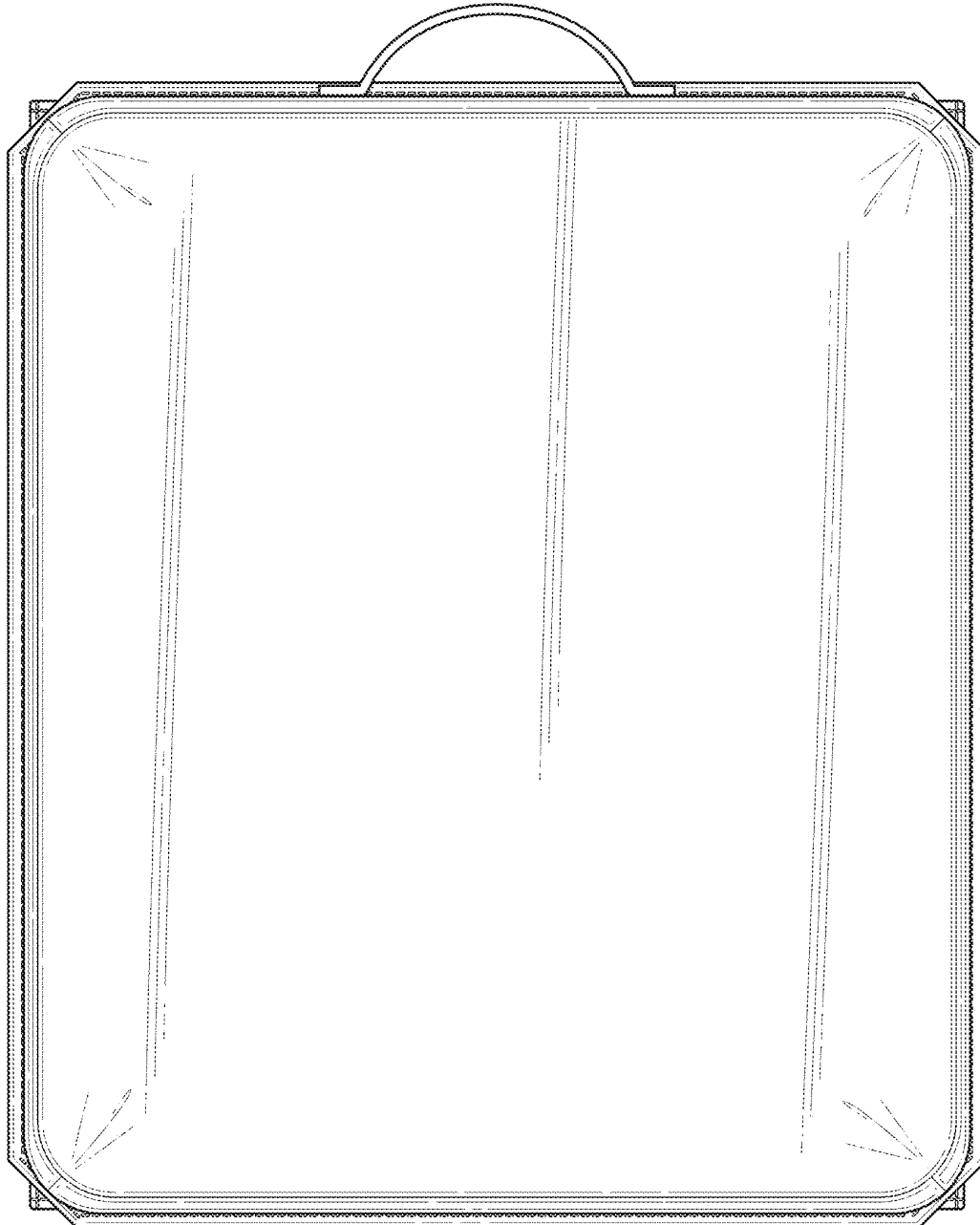


FIG. 7

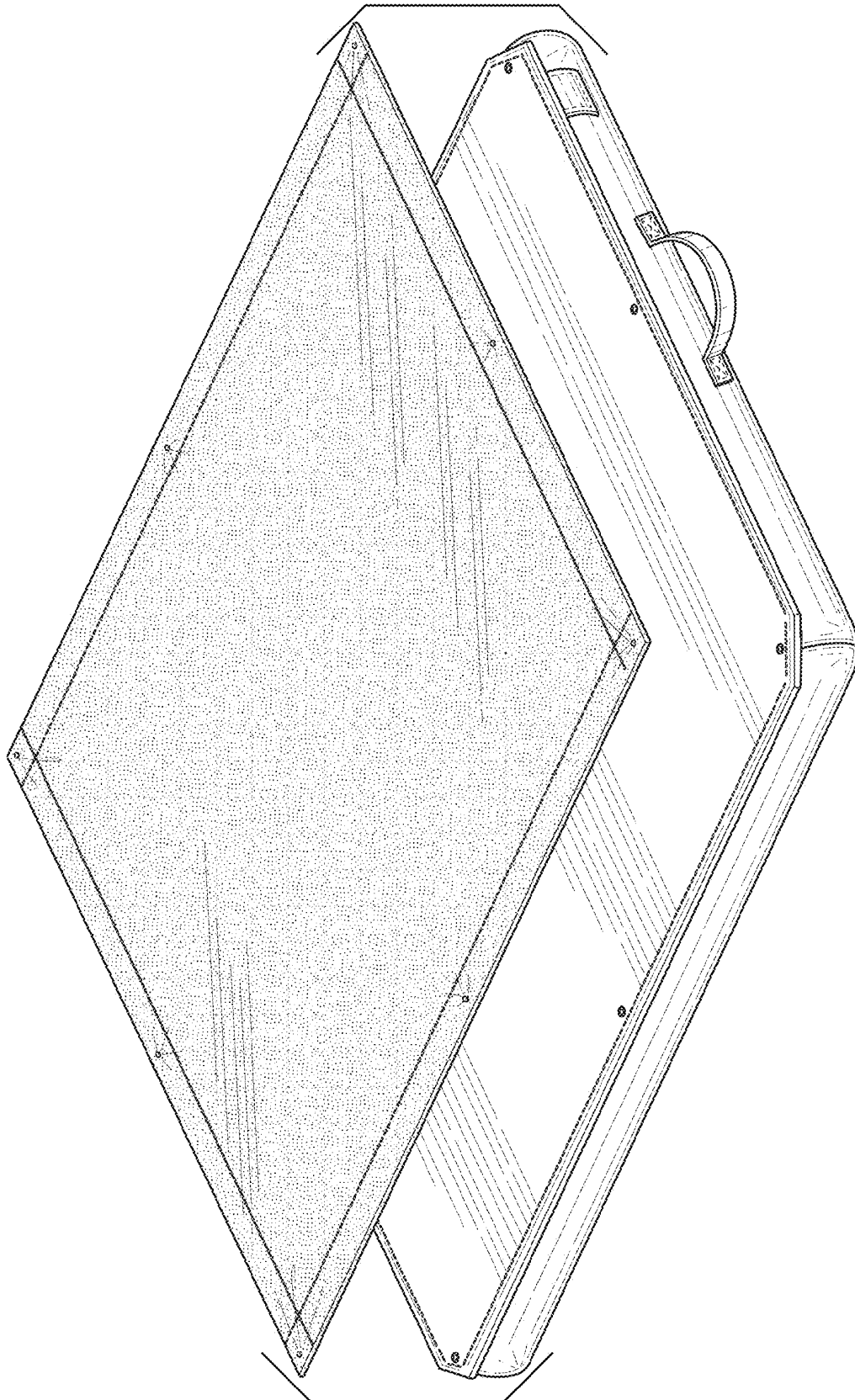


FIG. 8

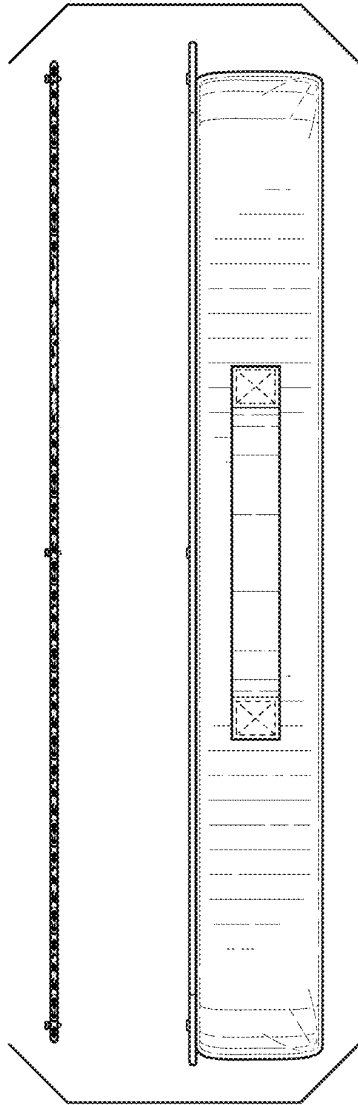


FIG. 9

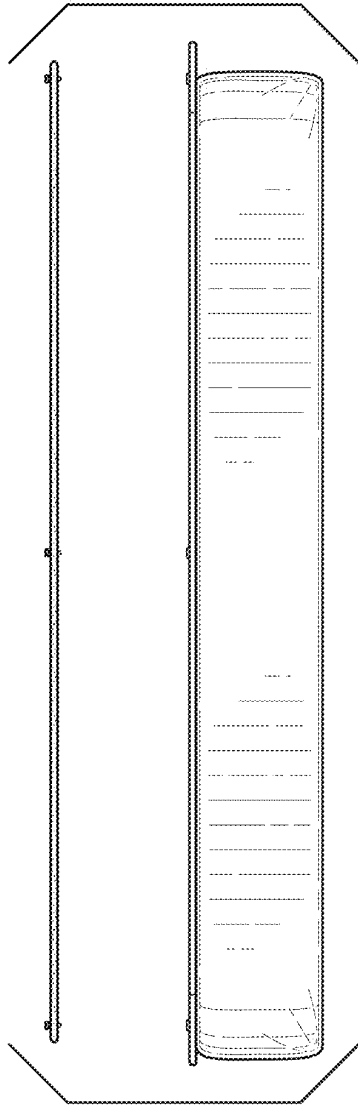


FIG. 10

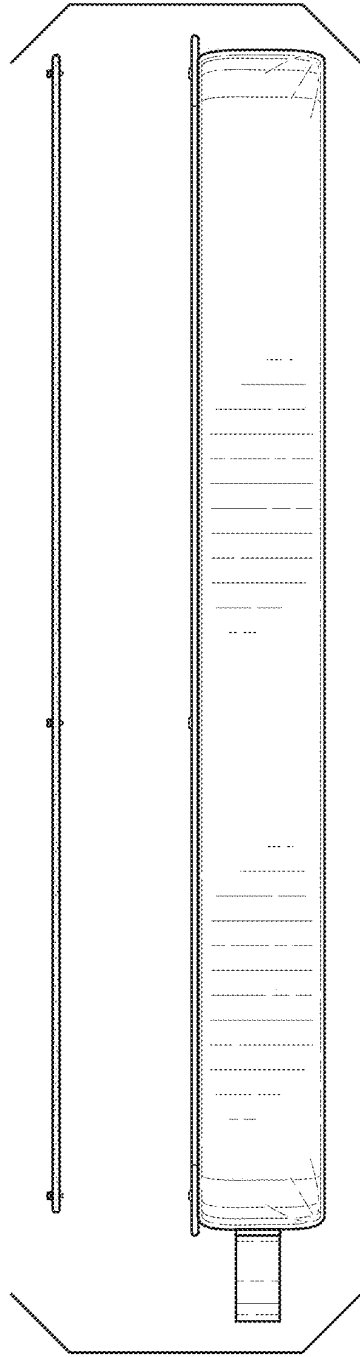


FIG. 11

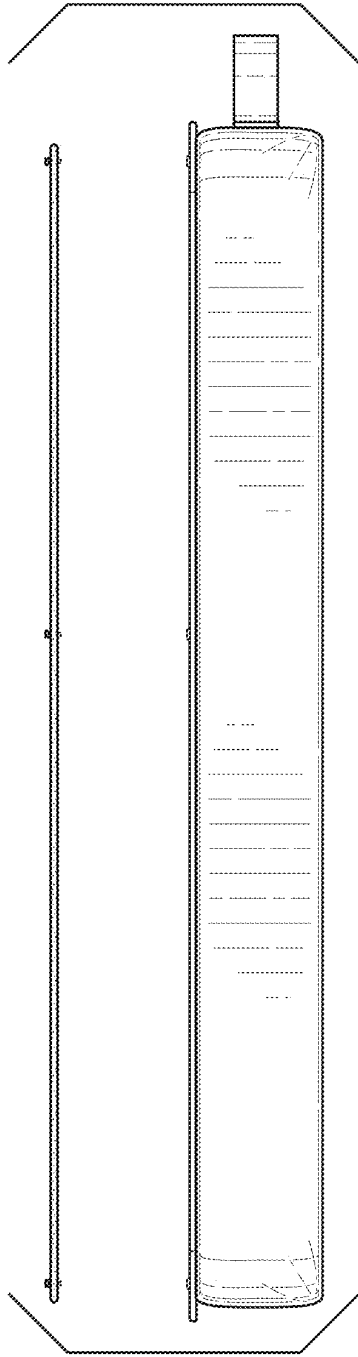


FIG. 12

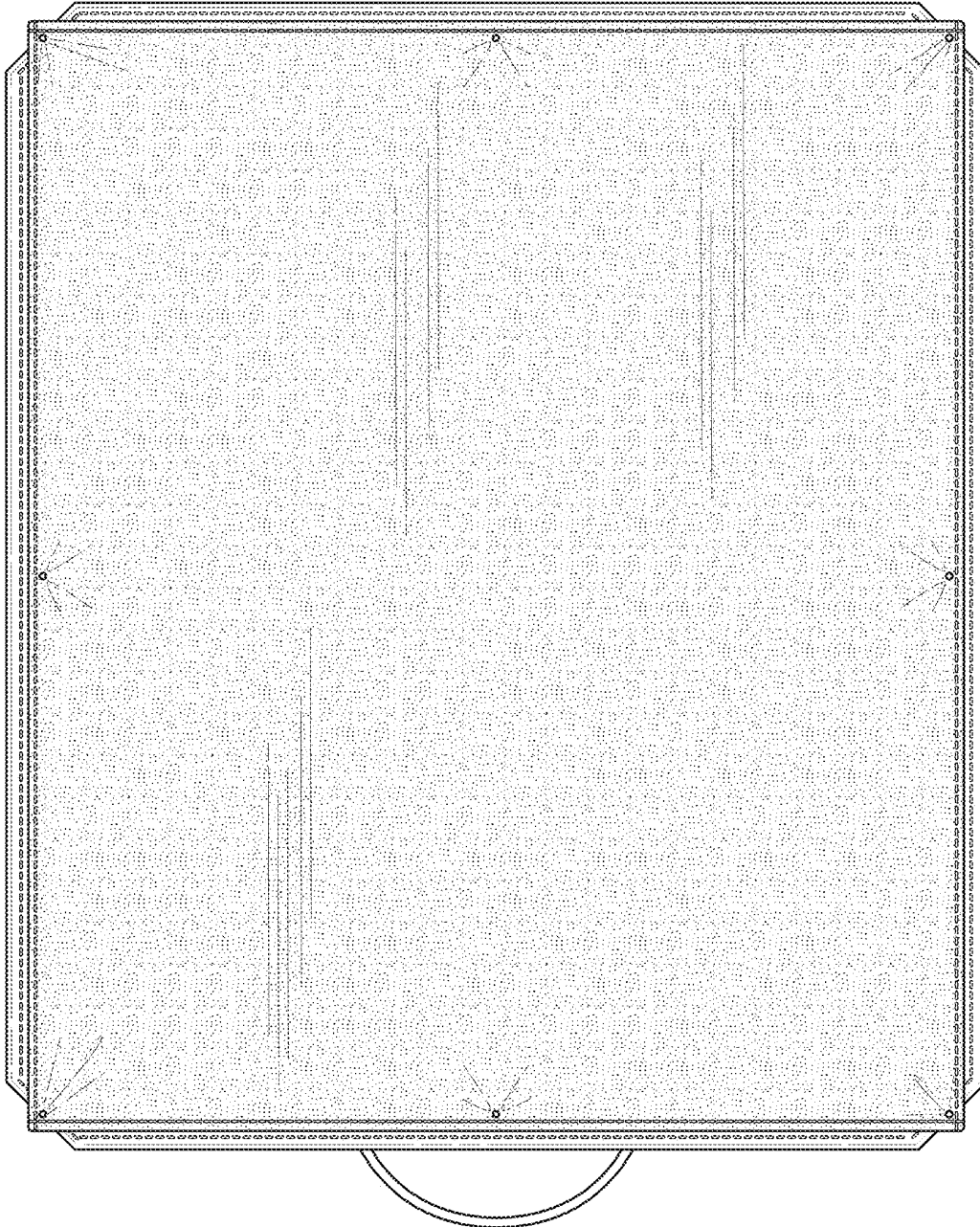


FIG. 13

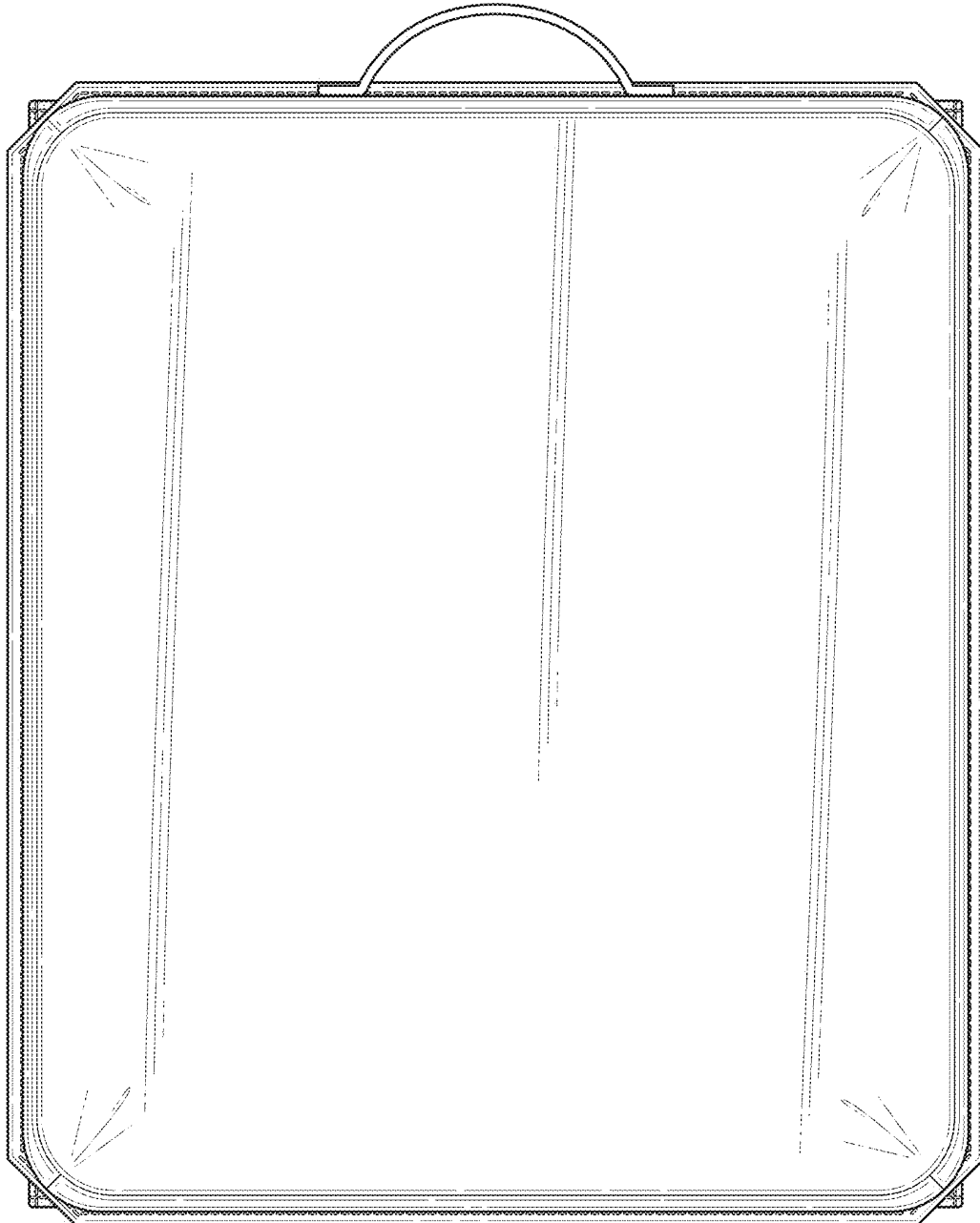


FIG. 14