



USOD1059726S

(12) **United States Design Patent**
Valdez

(10) **Patent No.:** **US D1,059,726 S**
(45) **Date of Patent:** **** Jan. 28, 2025**

(54) **SECURITY BAG FOR PARCEL DELIVERIES**

D264,772 S * 6/1982 Motsko D3/244
D333,565 S * 3/1993 Imbert D3/217
D377,864 S * 2/1997 Miller D3/201
(Continued)

(71) Applicant: **Anthony Guzman Valdez**, Auburn, CA (US)

(72) Inventor: **Anthony Guzman Valdez**, Auburn, CA (US)

(**) Term: **15 Years**

(21) Appl. No.: **29/813,904**

(22) Filed: **Nov. 2, 2021**

(51) **LOC (15) Cl.** **99-00**

(52) **U.S. Cl.**

USPC **D99/29**; D3/303; D3/244

(58) **Field of Classification Search**

USPC D99/28, 29, 31, 33, 43, 99; D3/201, 216, D3/217, 221, 226, 231, 232, 244, 245, D3/246, 254, 272, 273, 303

CPC A47G 29/12; A47G 29/1201; A47G 29/1203; A47G 29/1207; A47G 29/1209; A47G 29/1216; A47G 29/1218; A47G 29/14; A47G 29/141; A47G 29/142; A47G 29/148; A47G 29/16; E05G 1/00; E05G 1/005; E05G 1/02; E05G 1/024; E05G 1/06; E05G 2700/00; E05G 2700/02; A45C 1/12

See application file for complete search history.

(56) **References Cited**

U.S. PATENT DOCUMENTS

D32,376 S * 3/1900 McKinster D99/29
D35,418 S * 12/1901 Witt D99/29
1,176,495 A * 3/1916 Stein B65D 33/06
383/92
1,186,590 A * 6/1916 McIlvaine B65D 33/165
383/92
1,588,695 A * 6/1926 Boehm D06F 95/006
383/92
D185,829 S * 8/1959 Lemier D3/268
D226,743 S * 4/1973 Lee D3/244

OTHER PUBLICATIONS

See-Through Elite Security Bags, https://www.usbanksupply.com/index.cfm/go2/view/pID/1053/n/14qmark-x-18qmark-see_through-elite-security-bags-made-of-20_gauge-vinyl-for-easy-viewing-of-contents, 2024. (Year: 2024).*

(Continued)

Primary Examiner — Elizabeth J Oswecki

(74) *Attorney, Agent, or Firm* — Craig A. Simmermon

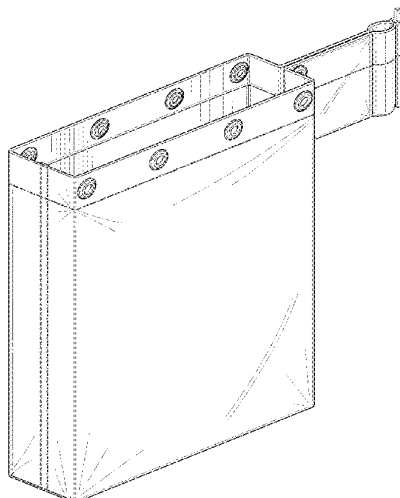
(57) **CLAIM**

The ornamental design for a security bag for parcel deliveries, as shown and described.

DESCRIPTION

FIG. 1 is a top perspective view of a security bag for parcel deliveries showing my new design;
FIG. 2 is a right side elevation view thereof;
FIG. 3 is a left side elevation view thereof;
FIG. 4 is a rear elevation view thereof;
FIG. 5 is a front elevation view thereof;
FIG. 6 is a top plan view thereof;
FIG. 7 is a bottom plan view thereof;
FIG. 8 is a perspective view thereof, with the bag in an open position and shown in a used condition with environmental structure shown in broken lines;
FIG. 9 is another perspective view thereof, with the bag in a closed position and shown in a used condition with environmental structure shown in broken lines; and,
FIG. 10 is another perspective view thereof, with the bag in a closed position and shown in a used condition with environmental structure shown in broken lines.
The broken lines depict unclaimed environmental subject matter that forms no part of the claimed design.

1 Claim, 8 Drawing Sheets



(56)

References Cited

U.S. PATENT DOCUMENTS

6,612,489 B2* 9/2003 McCormick E05B 19/0005
235/382
7,175,071 B1* 2/2007 Slagle A47G 29/16
232/17
D609,910 S* 2/2010 White D3/279
D866,172 S* 11/2019 Vaccarello D3/244
D880,102 S* 3/2020 Quinn D99/28
D915,024 S* 3/2021 Goodlow D99/29
D939,180 S* 12/2021 Barber D6/349
D1,004,247 S* 11/2023 Bradley D99/29
D1,014,961 S* 2/2024 Cardenas D3/244
D1,021,384 S* 4/2024 Parekh D3/217
D1,021,395 S* 4/2024 Okayama D3/244
2017/0101237 A1* 4/2017 Capous B65D 43/22
2017/0251856 A1* 9/2017 Schaible A47G 29/141

OTHER PUBLICATIONS

Padlock Security Bag 16x20, <https://www.netbankstore.com/padlock-security-bag-16-x-20.html>, 2024. (Year: 2024).*

* cited by examiner

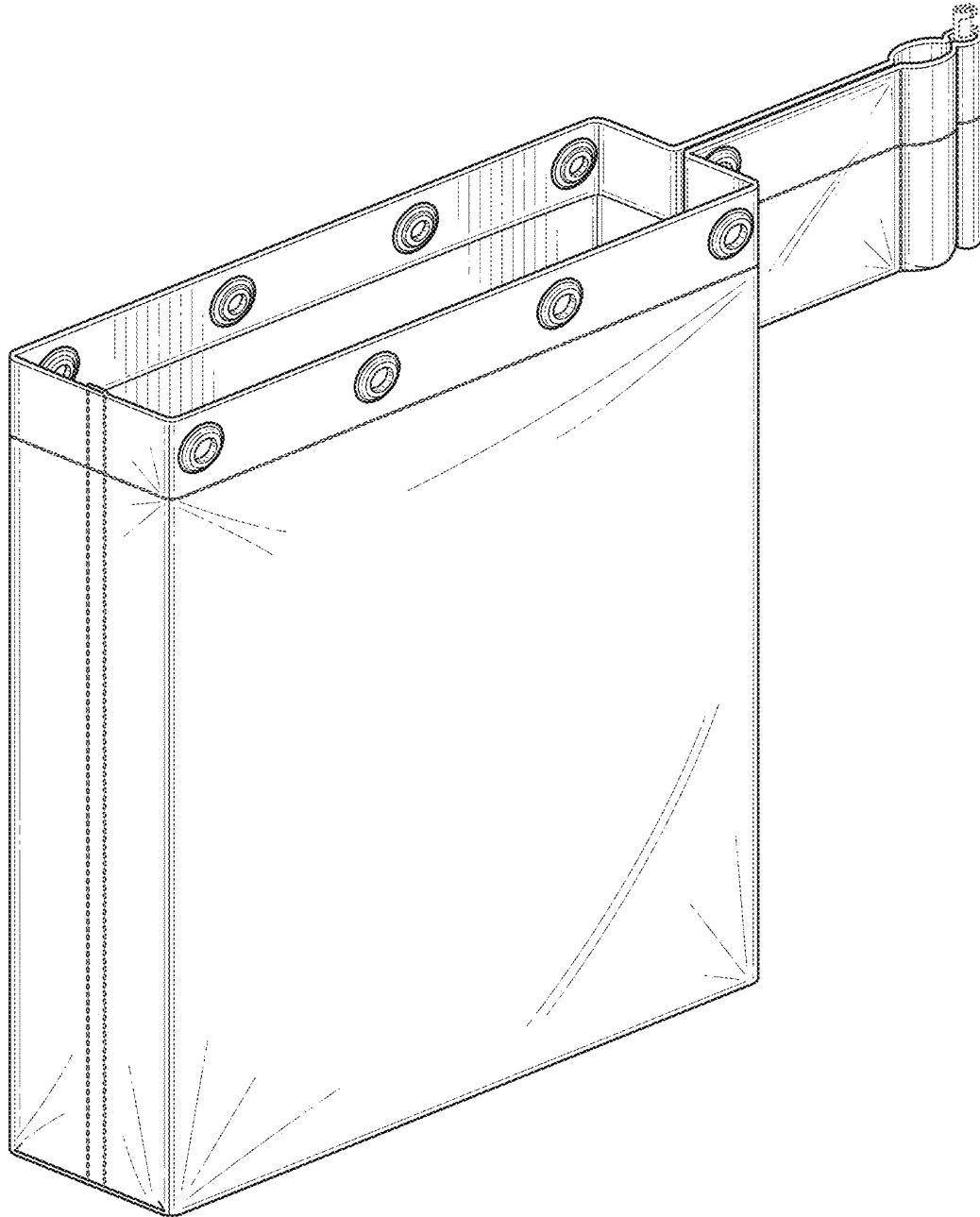


FIG. 1

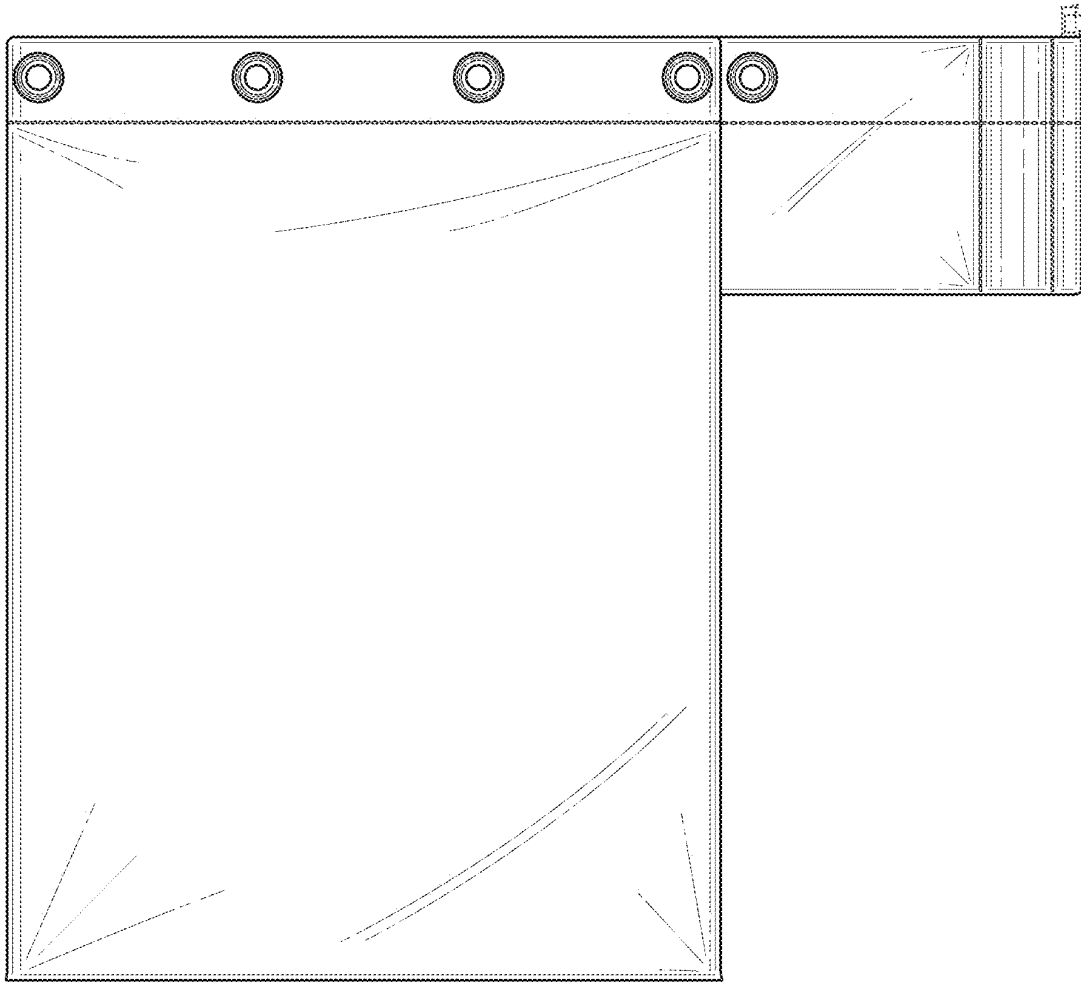


FIG. 2

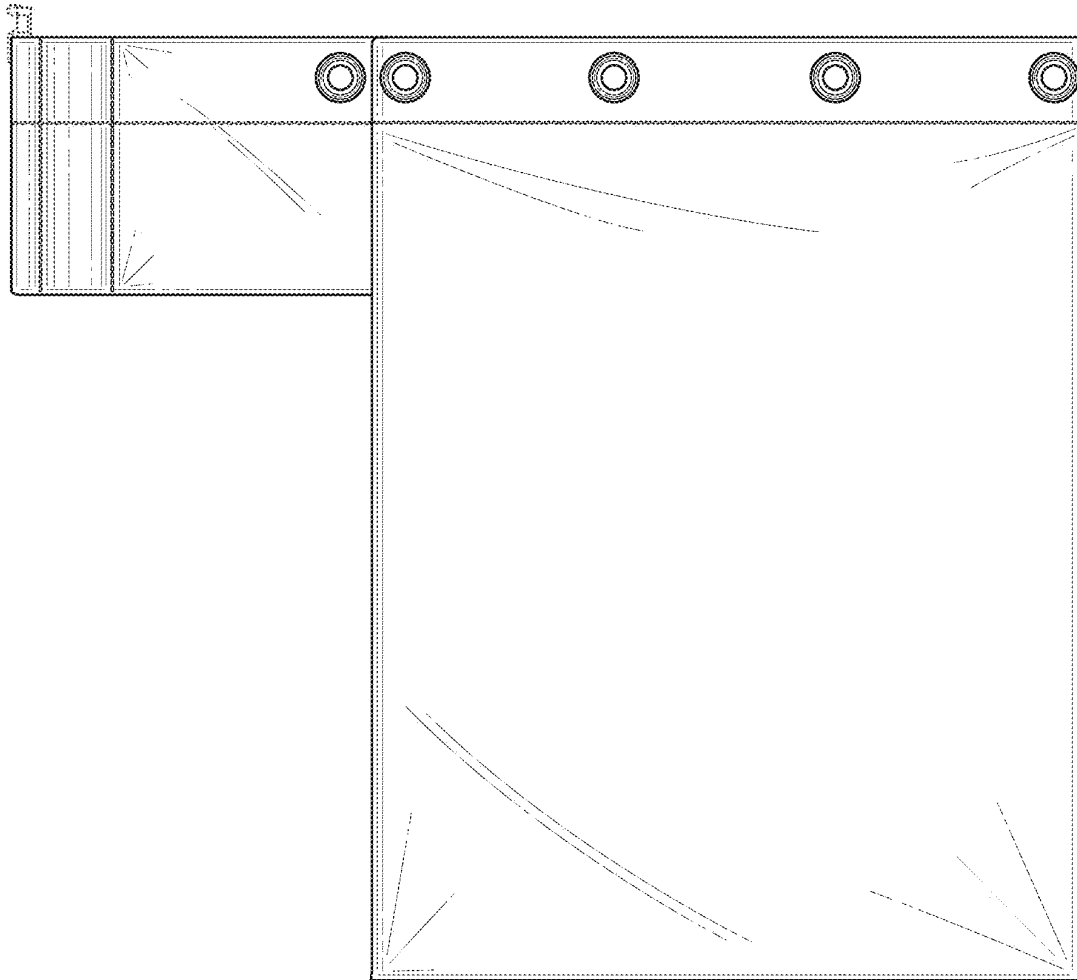


FIG. 3

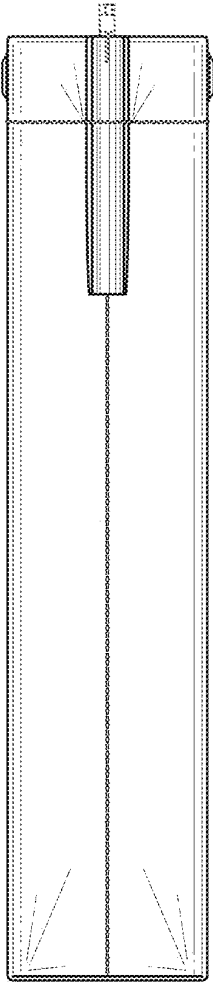


FIG. 4

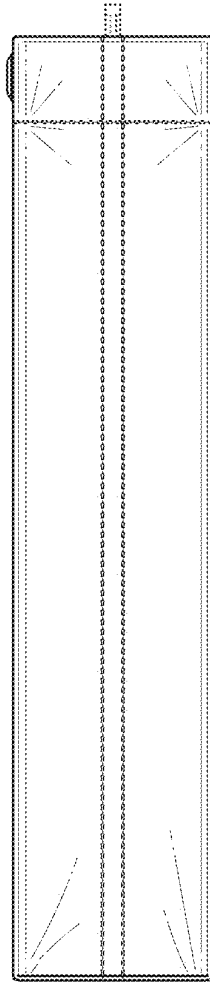


FIG. 5

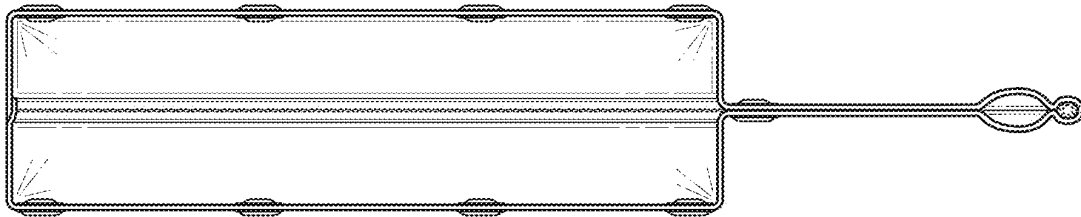


FIG. 6

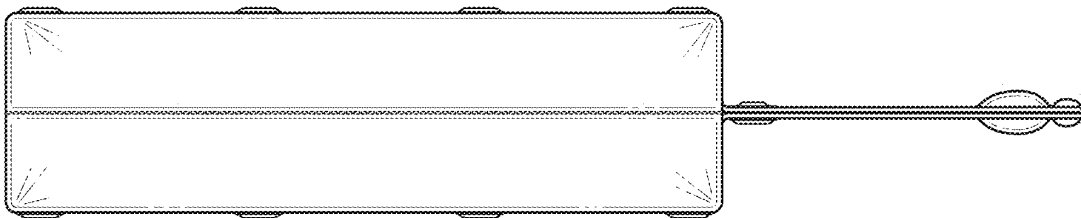


FIG. 7

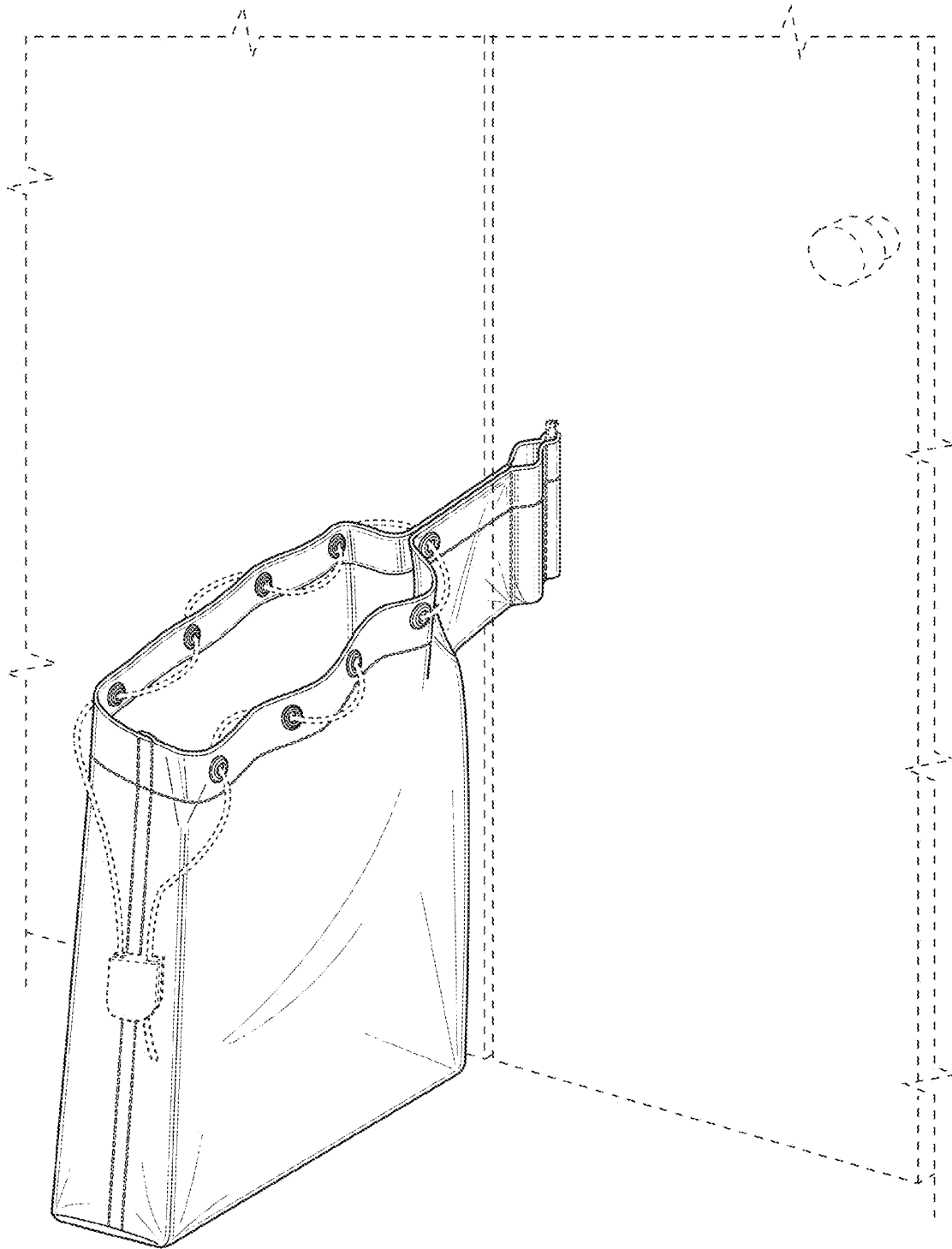


FIG. 8

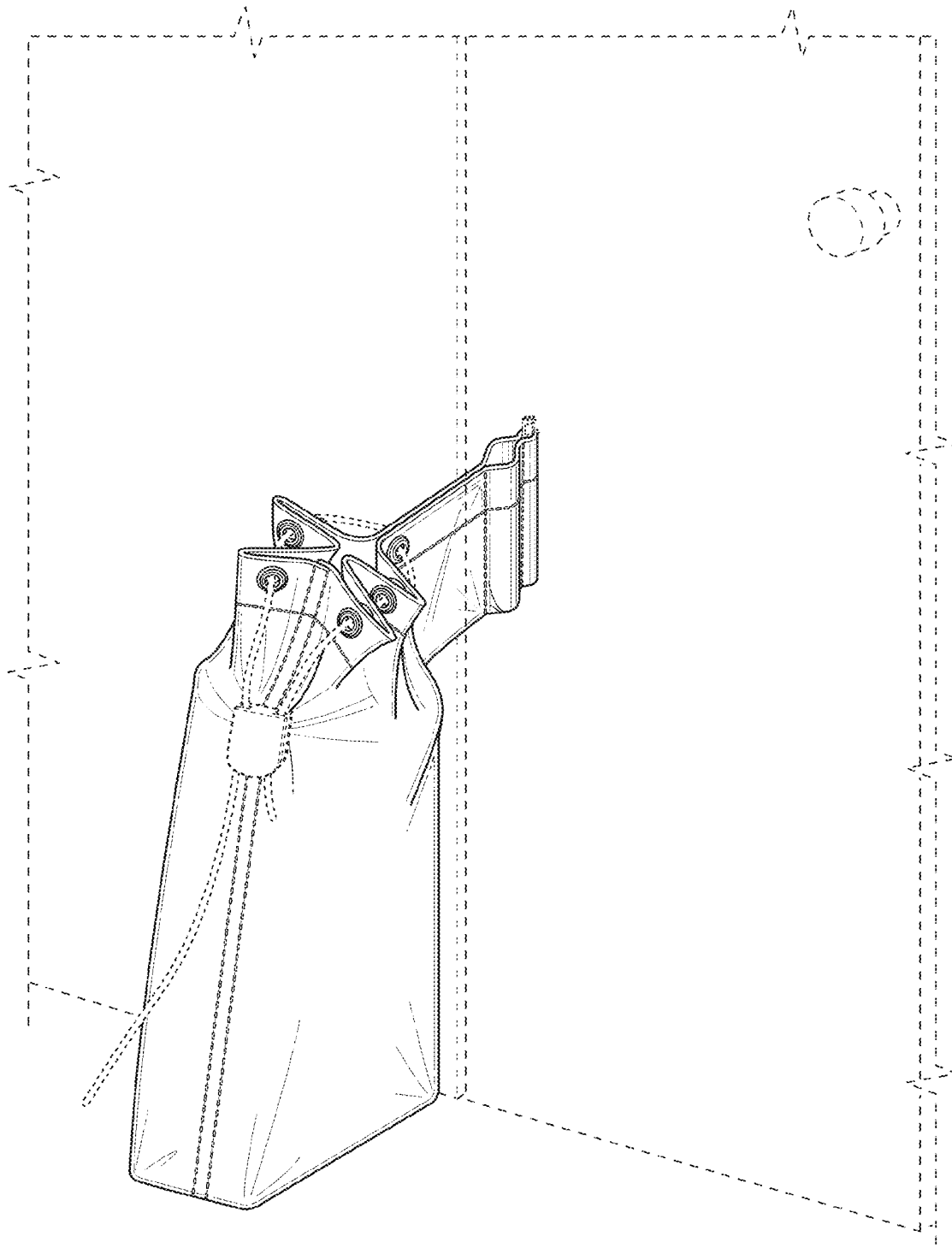


FIG. 9

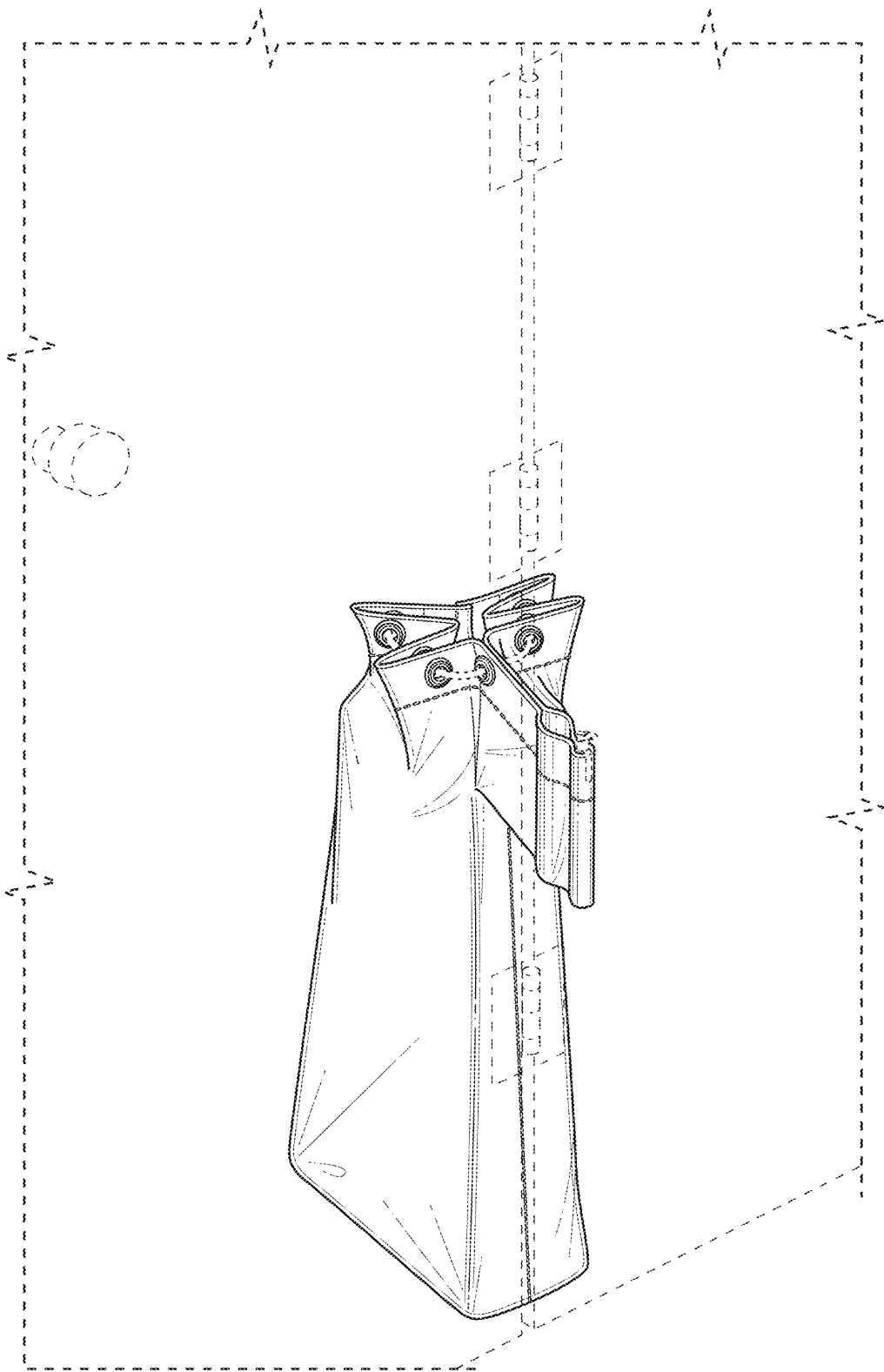


FIG. 10