



US0D1030983S

(12) **United States Design Patent**
Wang

(10) **Patent No.:** **US D1,030,983 S**
(45) **Date of Patent:** **** Jun. 11, 2024**

- (54) **PENTAGON BATHTUB**
- (71) Applicant: **ORIENTAL RECREATIONAL PRODUCTS (SHANGHAI) CO., LTD**, Shanghai (CN)
- (72) Inventor: **Zhiyue Wang**, Shanghai (CN)
- (**) Term: **15 Years**
- (21) Appl. No.: **29/881,620**
- (22) Filed: **Jan. 4, 2023**
- (30) **Foreign Application Priority Data**
Jul. 5, 2022 (CN) 202230419800.2
- (51) **LOC (14) Cl.** **23-06**
- (52) **U.S. Cl.**
USPC **D23/277; D25/2; D21/815**
- (58) **Field of Classification Search**
USPC **D23/277, 280.1-280.2; D24/204-205; D21/815; D25/2**
CPC **A47K 3/02; A61H 33/0087**
See application file for complete search history.

- D987,113 S * 5/2023 Yao D25/2
- D994,023 S * 8/2023 Ding D21/300
- D1,014,713 S * 2/2024 Wang D23/280.1

FOREIGN PATENT DOCUMENTS

- CN 114129076 A * 12/2021 A47K 3/02
- FR 387090 A * 1/1908 A47K 3/06

OTHER PUBLICATIONS

Pool Central : 79" Blue and White Pentagon Inspired Inflatable Swimming Pool. <https://www.walmart.com/ip/79-Blue-and-White-Pentagon-Inspired-Inflatable-Swimming-Pool/583898805> (Year: 2024).*

* cited by examiner

Primary Examiner — Robert A Delehanty
(74) *Attorney, Agent, or Firm* — Craig A. Simmermon

(57) **CLAIM**

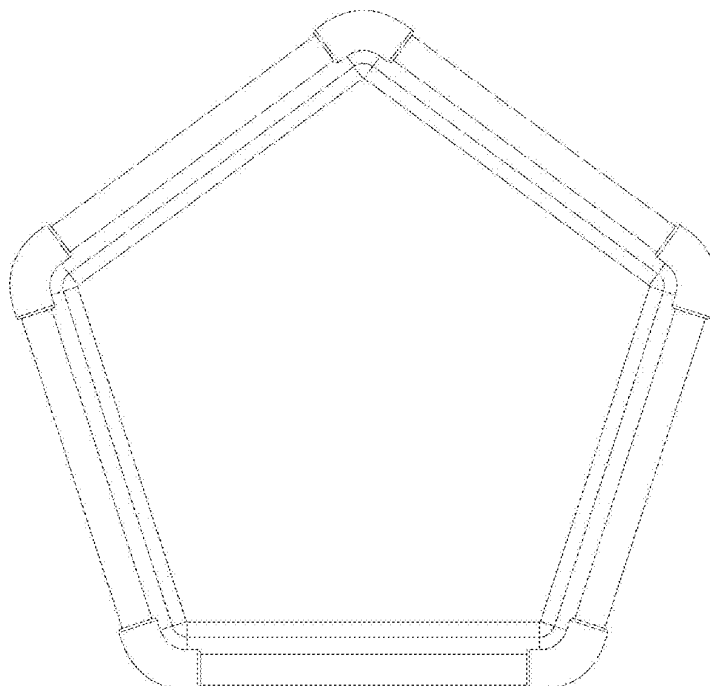
The ornamental design for a pentagon bathtub, as shown and described.

DESCRIPTION

FIG. 1 is a top view of a pentagon bathtub;
FIG. 2 is a front view thereof;
FIG. 3 is a bottom view thereof;
FIG. 4 is a top perspective view thereof;
FIG. 5 is a bottom perspective view thereof;
FIG. 6 is a rear view thereof;
FIG. 7 is a left side view thereof; and,
FIG. 8 is a right side view thereof.

1 Claim, 8 Drawing Sheets

- (56) **References Cited**
U.S. PATENT DOCUMENTS
D286,808 S * 11/1986 Griffiths D23/280.1
D383,853 S * 9/1997 Enns D25/2
D725,210 S * 3/2015 Anastasia D21/815
D772,421 S * 11/2016 Lin D21/815
D959,762 S * 8/2022 Liang D21/815
D965,157 S * 9/2022 Attila D24/204



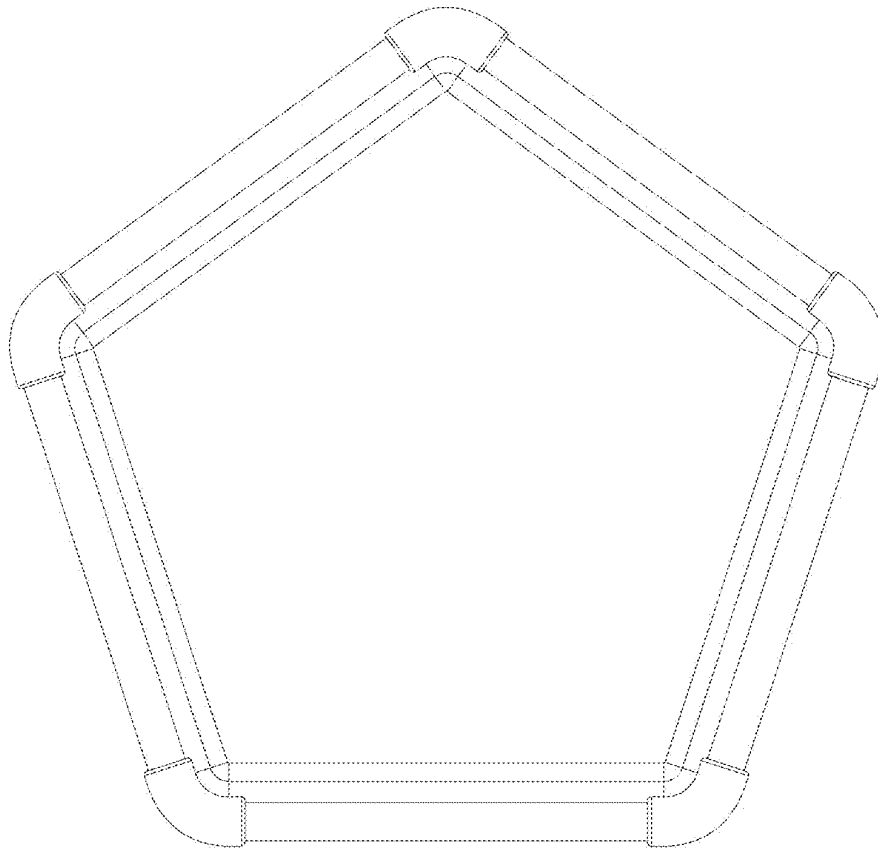


FIG. 1



Fig. 2

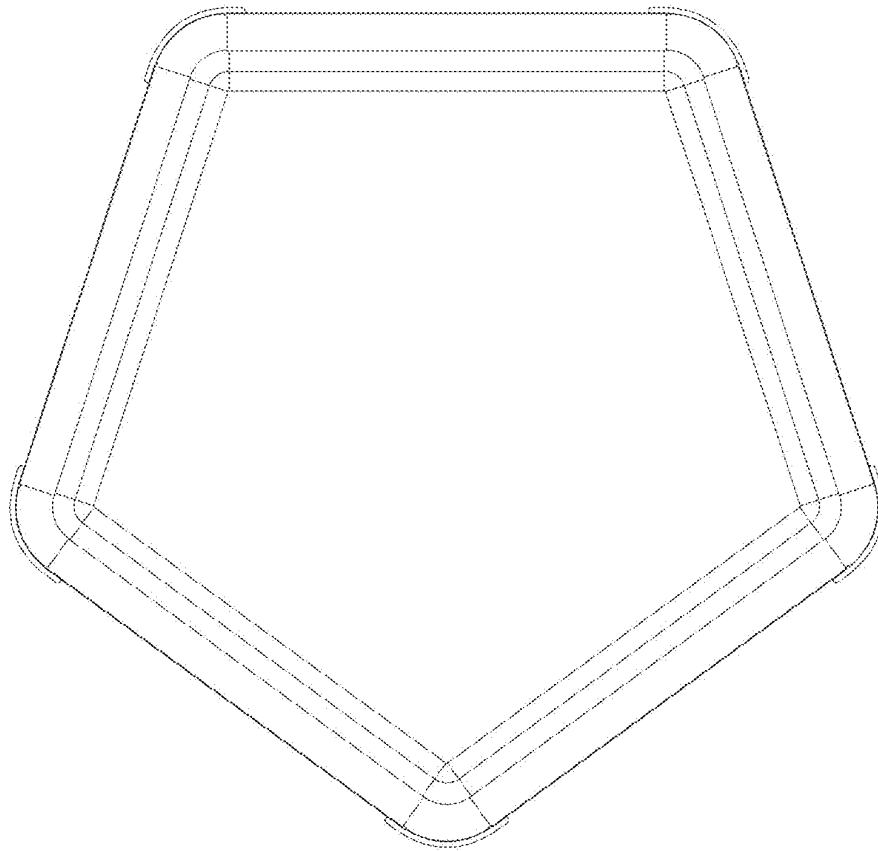


Fig. 3

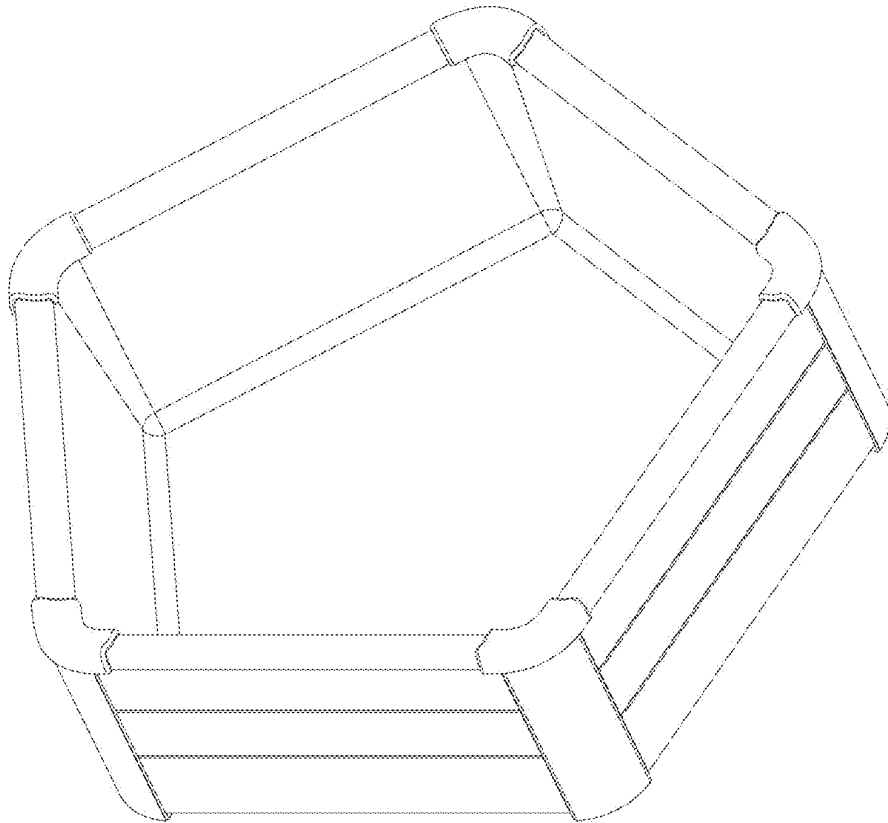


Fig. 4

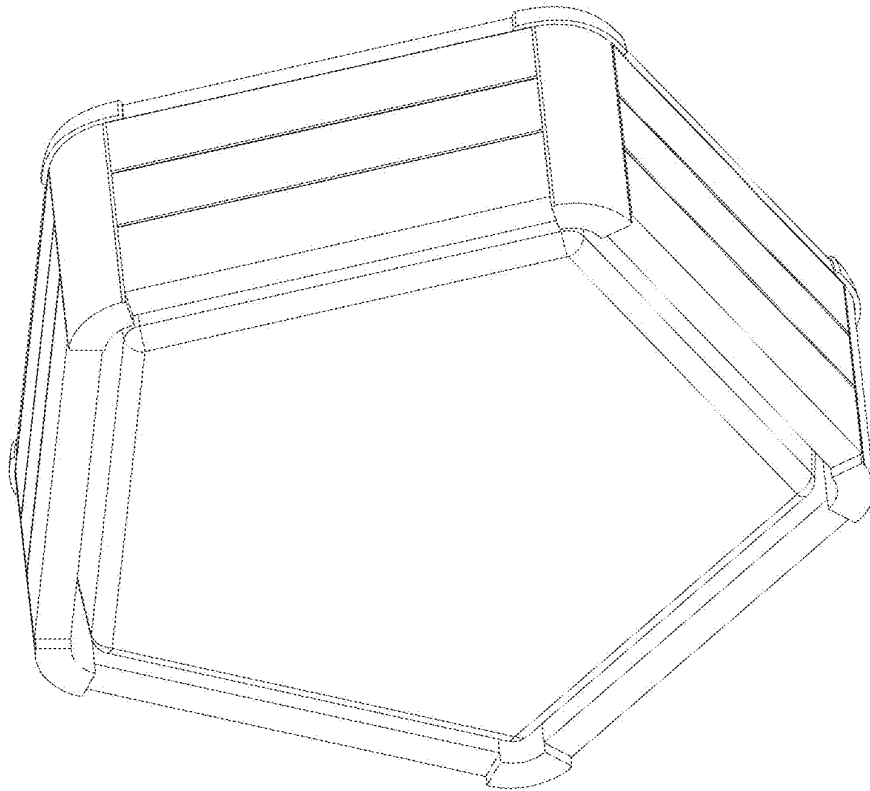


Fig. 5

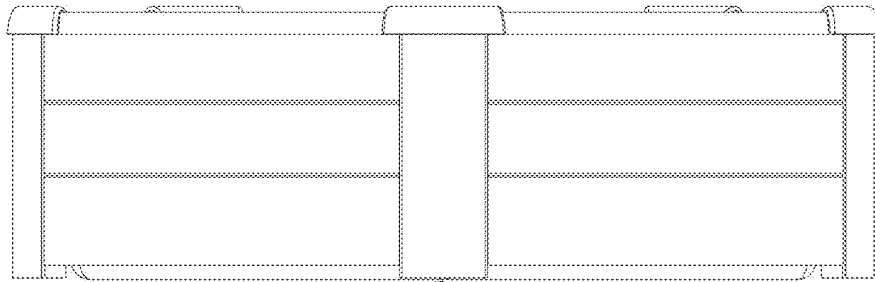


Fig. 6

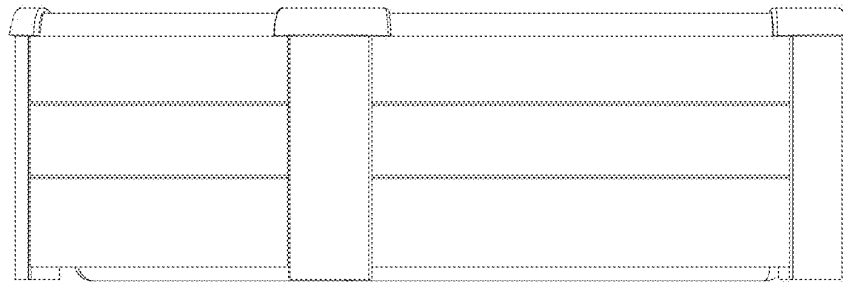


Fig. 7

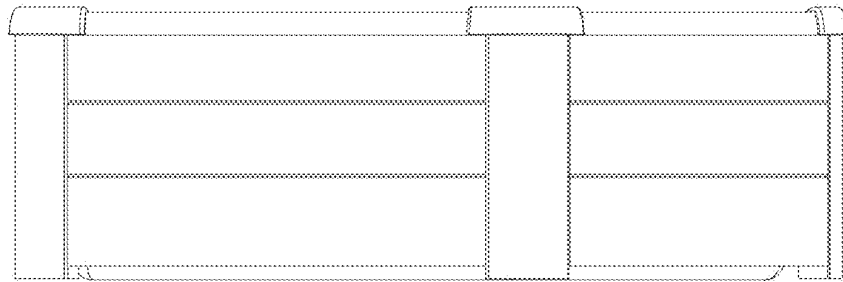


Fig. 8