



US0D1017433S

(12) **United States Design Patent**
Wang

(10) **Patent No.:** **US D1,017,433 S**
(45) **Date of Patent:** **** Mar. 12, 2024**

(54) **ELECTRIC CONTROL BOX FOR SPA**
(71) Applicant: **ORIENTAL RECREATIONAL PRODUCTS (SHANGHAI) CO., LTD**, Shanghai (CN)

(72) Inventor: **Zhiyue Wang**, Shanghai (CN)

(**) Term: **15 Years**

(21) Appl. No.: **29/843,320**

(22) Filed: **Jun. 20, 2022**

(30) **Foreign Application Priority Data**

Jan. 21, 2022 (CN) 202230041982.4

(51) **LOC (14) Cl.** **10-04**

(52) **U.S. Cl.** **D10/49**
USPC **D10/49**

(58) **Field of Classification Search**
USPC D10/49, 50
CPC A61H 33/028; A61H 33/0087; A61H 33/026; A61H 2201/0103; A61H 2201/1246; A61H 2033/0062; A61H 2033/022; E04H 4/0025; E04H 4/14; E04H 4/00; F04D 19/002

See application file for complete search history.

(56) **References Cited**

U.S. PATENT DOCUMENTS

D505,344 S * 5/2005 Roher D10/50
D783,055 S * 4/2017 Charriere D10/49

* cited by examiner

Primary Examiner — Antoine Duval Davis
(74) *Attorney, Agent, or Firm* — Symbus Law Group, PLLC; Craig A. Simmermon

(57) **CLAIM**

The ornamental design for an electric control box for spa, as shown and described.

DESCRIPTION

FIG. 1 is a top view of an electric control box for spa; FIG. 2 is a front view thereof; FIG. 3 is a bottom view thereof; FIG. 4 is a left perspective view thereof; FIG. 5 is a right perspective view thereof; FIG. 6 is a rear view thereof; FIG. 7 is a left side view thereof; and, FIG. 8 is a right side view thereof. The broken lines in the drawings depict portions of the electric control box for spa that form no part of the claimed design.

1 Claim, 8 Drawing Sheets

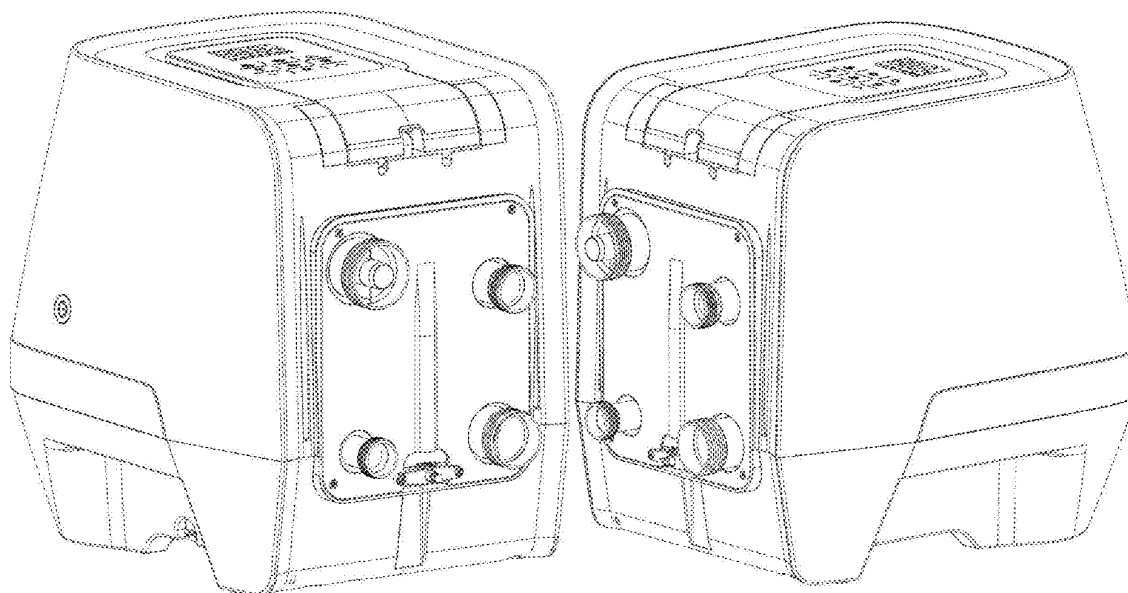


FIG. 1

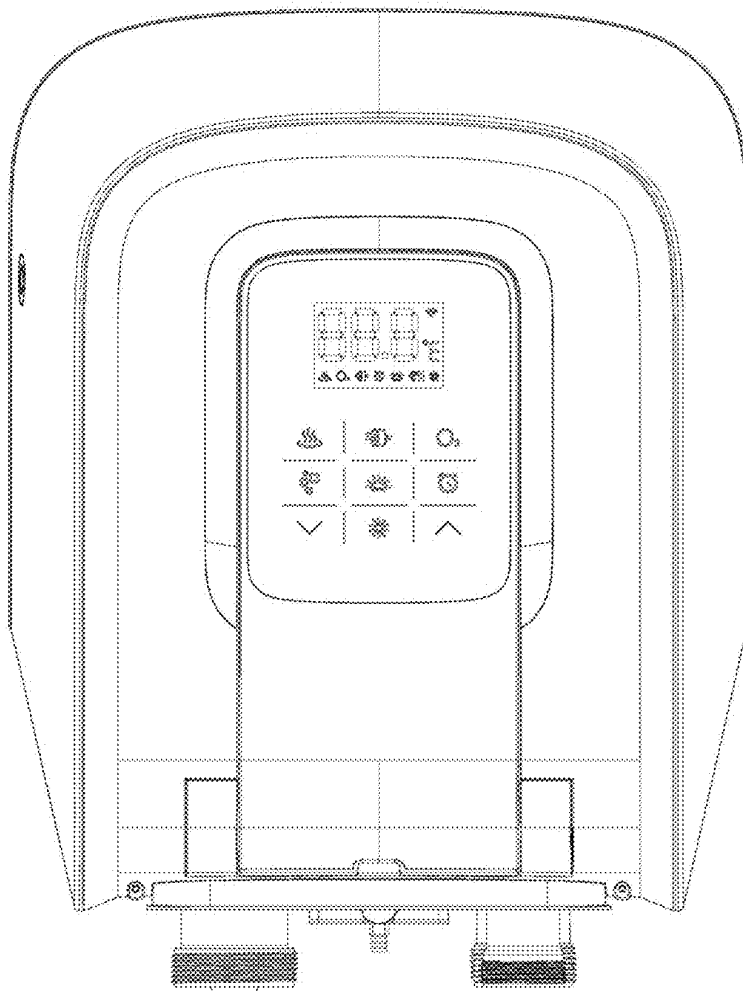
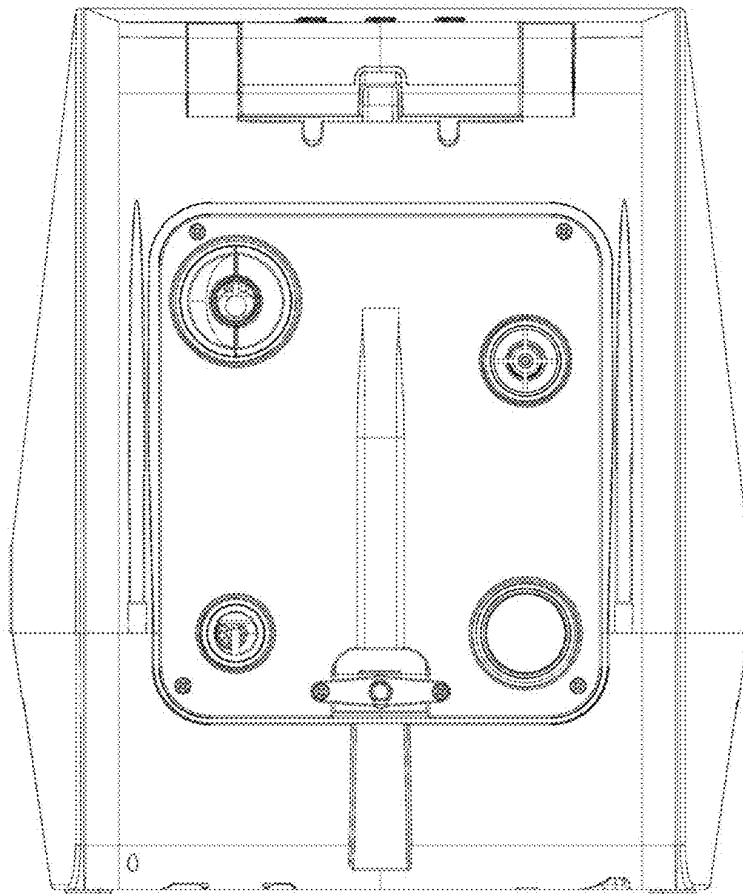


FIG. 2



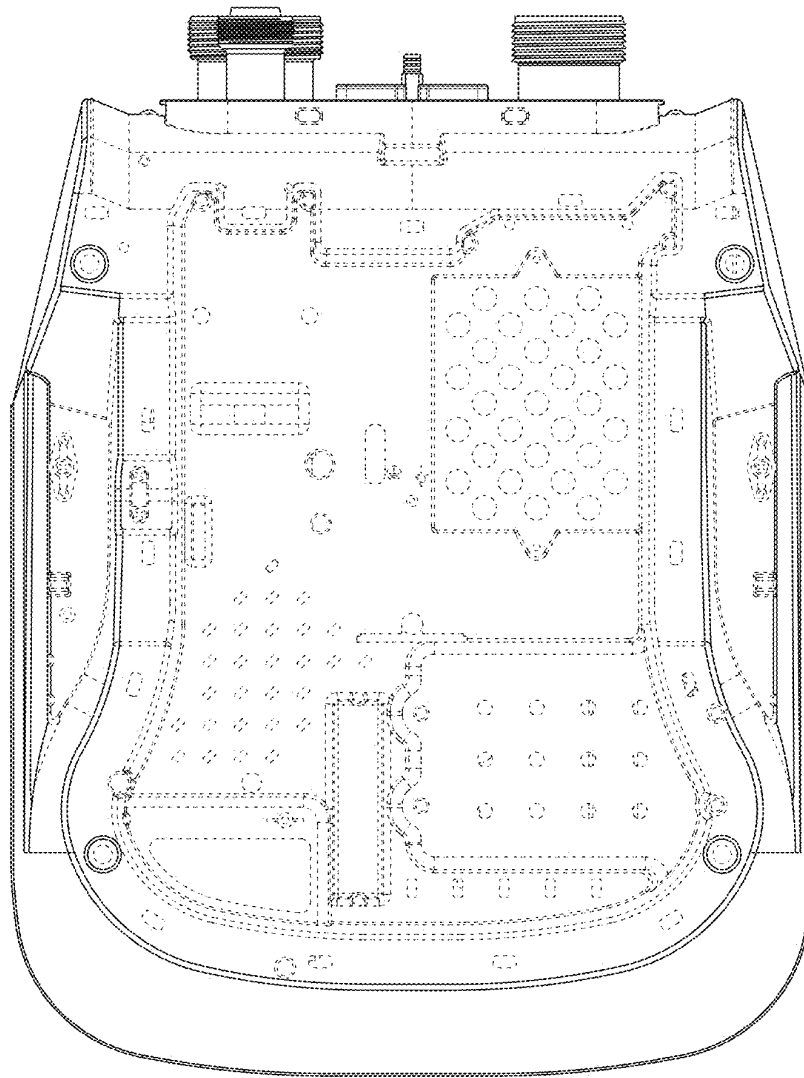


FIG. 3

FIG. 4

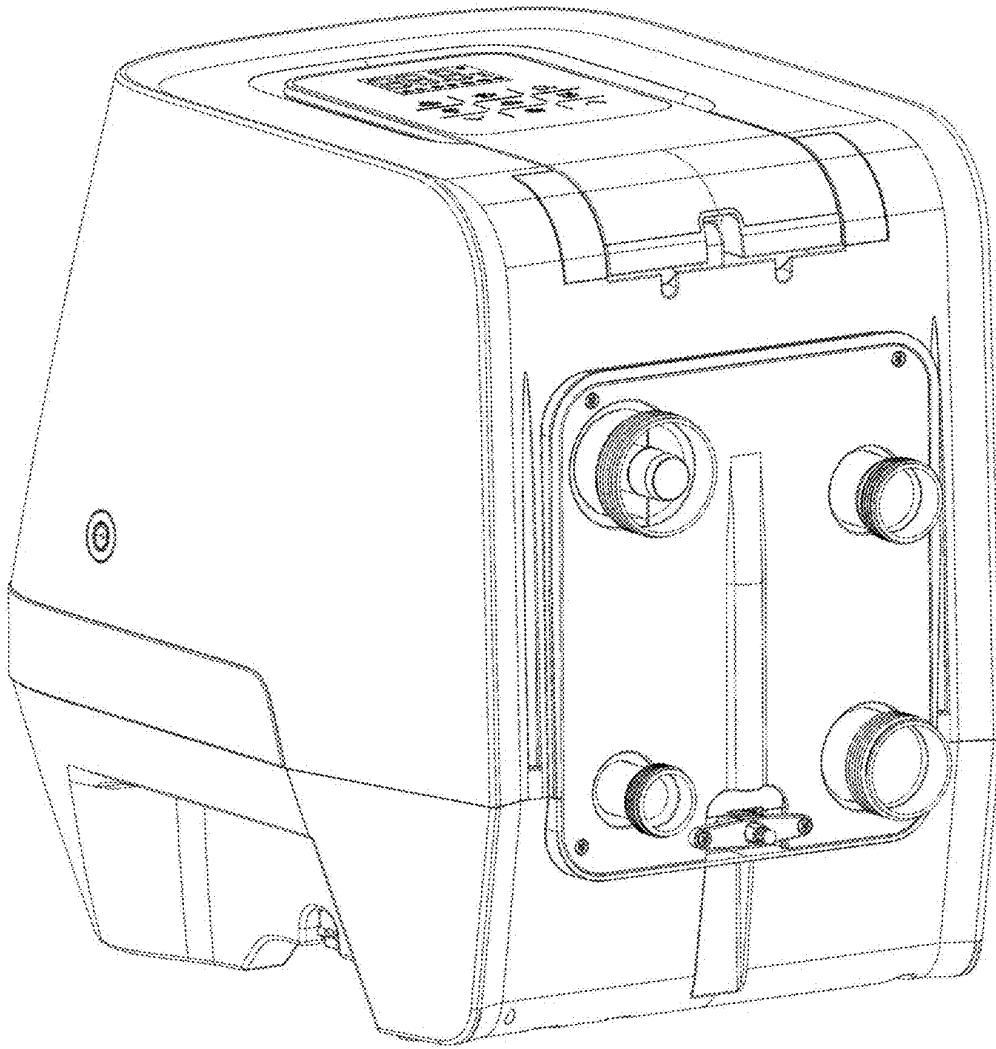


FIG. 5

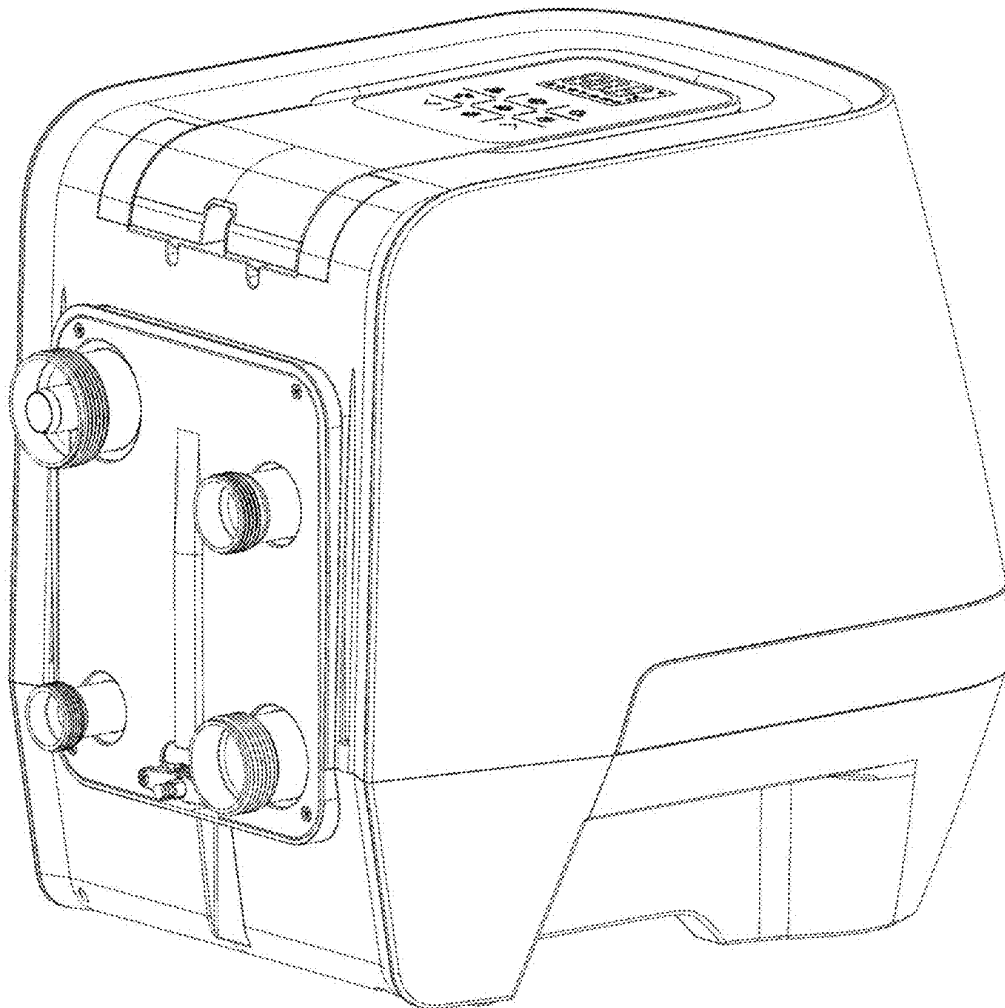


FIG. 6

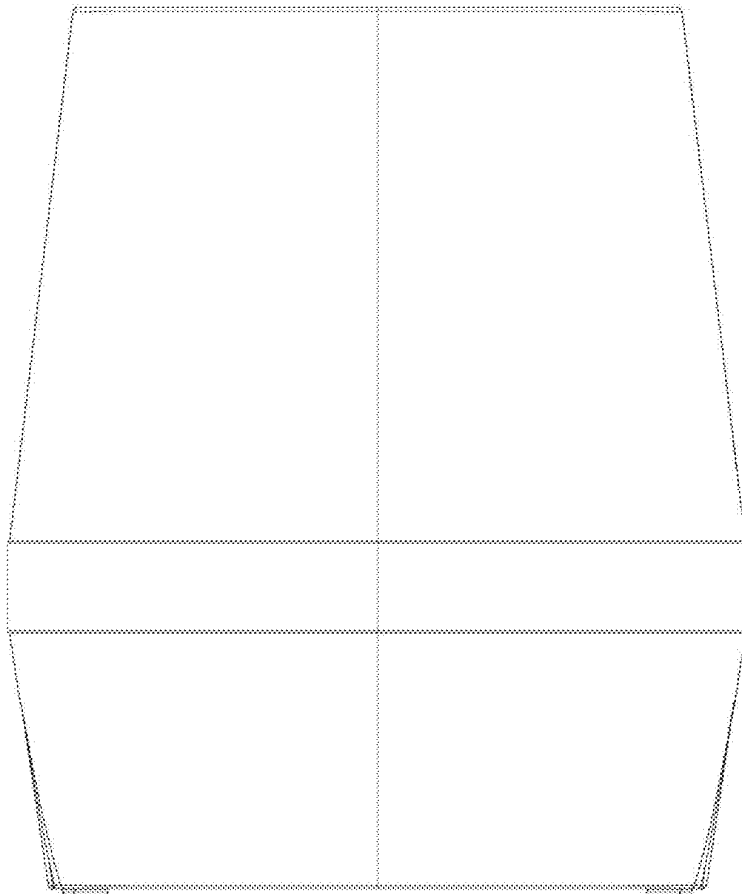


FIG. 7

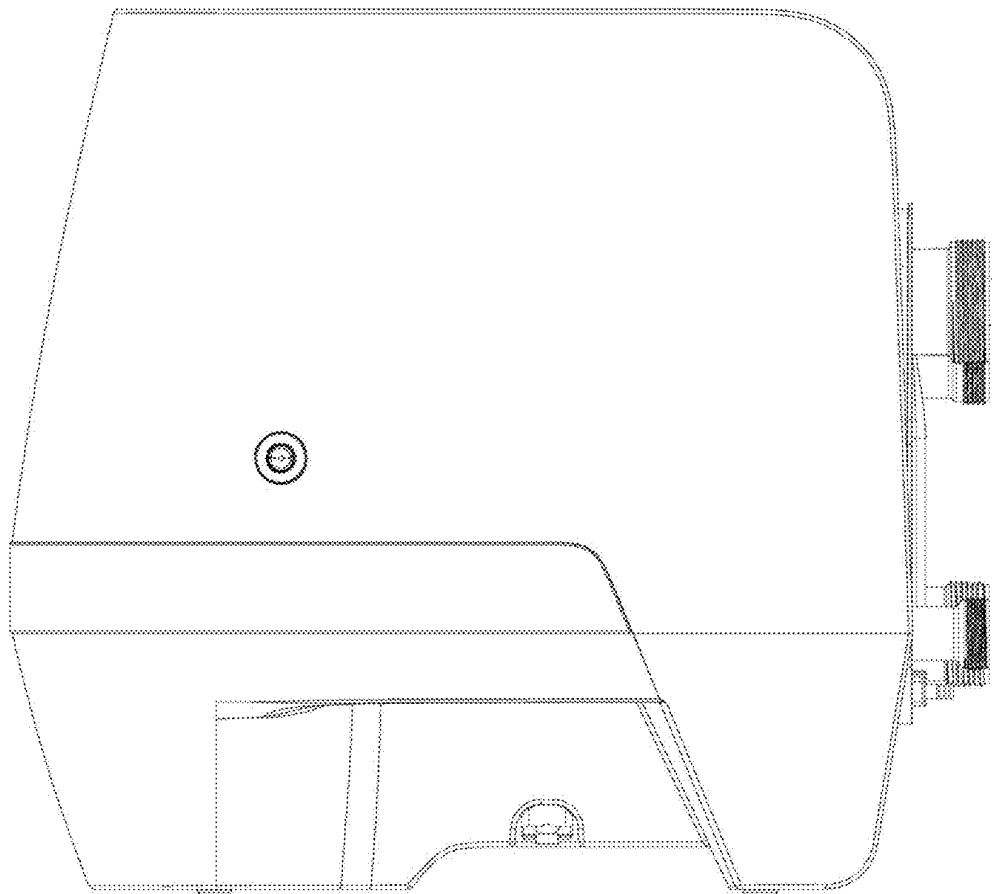


FIG. 8

