



USOD1014713S

(12) **United States Design Patent**
Wang

(10) **Patent No.:** **US D1,014,713 S**
(45) **Date of Patent:** **** Feb. 13, 2024**

(54) **SQUARE BATHTUB**
(71) Applicant: **ORIENTAL RECREATIONAL PRODUCTS (SHANGHAI) CO., LTD**, Shanghai (CN)

D948,737 S * 4/2022 Foy D24/204
D964,580 S * 9/2022 Attila D24/204
D965,157 S * 9/2022 Attila D24/204
D980,441 S * 3/2023 Foy D24/204

(72) Inventor: **Zhiyue Wang**, Shanghai (CN)
(**) Term: **15 Years**

FOREIGN PATENT DOCUMENTS
CN 307633402 * 11/2022
CN 307707563 * 12/2022
(Continued)

(21) Appl. No.: **29/843,319**

OTHER PUBLICATIONS

(22) Filed: **Jun. 20, 2022**

[MSPA, Oslo, Frame Series, 6 Person Hot Tub & Spa], available in www.bedbathandbeyond.com, announced 2023 [online], [site visited Oct. 10, 2023], Internet URL: https://www.bedbathandbeyond.com/Sports-Toys/MSPA-FRAME-OSLO-6-Person-Square-Hot-Tub-Spa-UV (Year: 2023).*

(30) **Foreign Application Priority Data**

Dec. 21, 2021 (CN) 202130845251.0

(51) **LOC (14) Cl.** **23-06**

(52) **U.S. Cl.** **D23/280.1**
USPC **D23/277, 278, 280.1, 280.4, 304, 305;**
D24/204

(58) **Field of Classification Search**
USPC D6/525; D21/473, 524, 815; D23/275,
D23/277, 278, 280.1, 280.4, 304, 305;
D24/204

CPC A47K 3/02; A47K 3/022; A47K 3/062;
A61H 33/60; A61H 33/02

See application file for complete search history.

(Continued)

Primary Examiner — Dana K Weiland
Assistant Examiner — Jihyung Yoon
(74) *Attorney, Agent, or Firm* — Symbus Law Group, PLLC; Craig A. Simmermon

(56) **References Cited**

U.S. PATENT DOCUMENTS

D237,709 S * 11/1975 Jacuzzi D23/277
D278,183 S * 3/1985 Myers D23/277
D288,125 S * 2/1987 Watkins D23/277
D380,049 S * 6/1997 Allen D24/204
D543,283 S * 5/2007 Larsen D24/204
D559,991 S * 1/2008 Dragovich D24/204
D575,406 S * 8/2008 Layfield D24/204
D702,846 S * 4/2014 Larsen D24/204
D730,534 S * 5/2015 Larsen D24/204
D780,934 S * 3/2017 Larsen D24/204
D841,823 S * 2/2019 Cargill D24/204
D905,860 S * 12/2020 Gellman D24/204

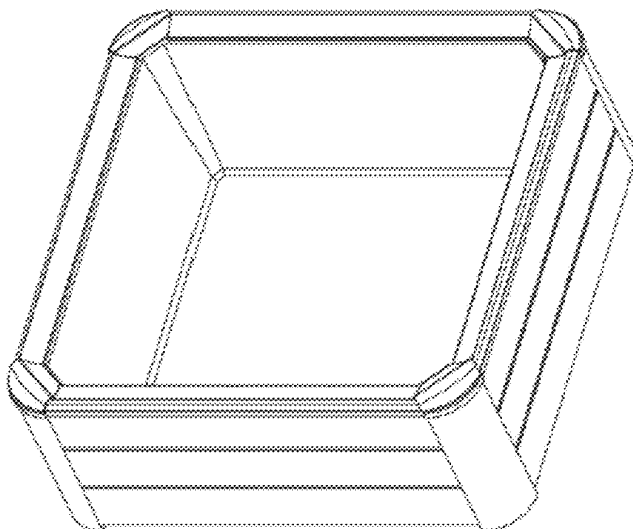
(57) **CLAIM**

The ornamental design for a square bathtub, as shown and described.

DESCRIPTION

FIG. 1 is a top view of a square bathtub;
FIG. 2 is a front view thereof;
FIG. 3 is a bottom view thereof;
FIG. 4 is a front perspective view thereof; and,
FIG. 5 is a bottom perspective view thereof.
The back view, left view, and right view of the square bathtub are identical to the front view, and therefore have been omitted.

1 Claim, 5 Drawing Sheets



(56)

References Cited

FOREIGN PATENT DOCUMENTS

CN	307899210	*	3/2023
VN	111303159	*	2/2023

OTHER PUBLICATIONS

[Empava 62-in×28-in 4-Person Rectangular Hot Tub], available in www.lowes.com, announced 2023 [online], [site visited Oct. 10, 2023], Internet URL: <https://www.lowes.com/pd/Empava-62-in-x-28-in-4-Person-Rectangular-Hot-Tub/5014711257> (Year: 2023).*

* cited by examiner

FIG. 1

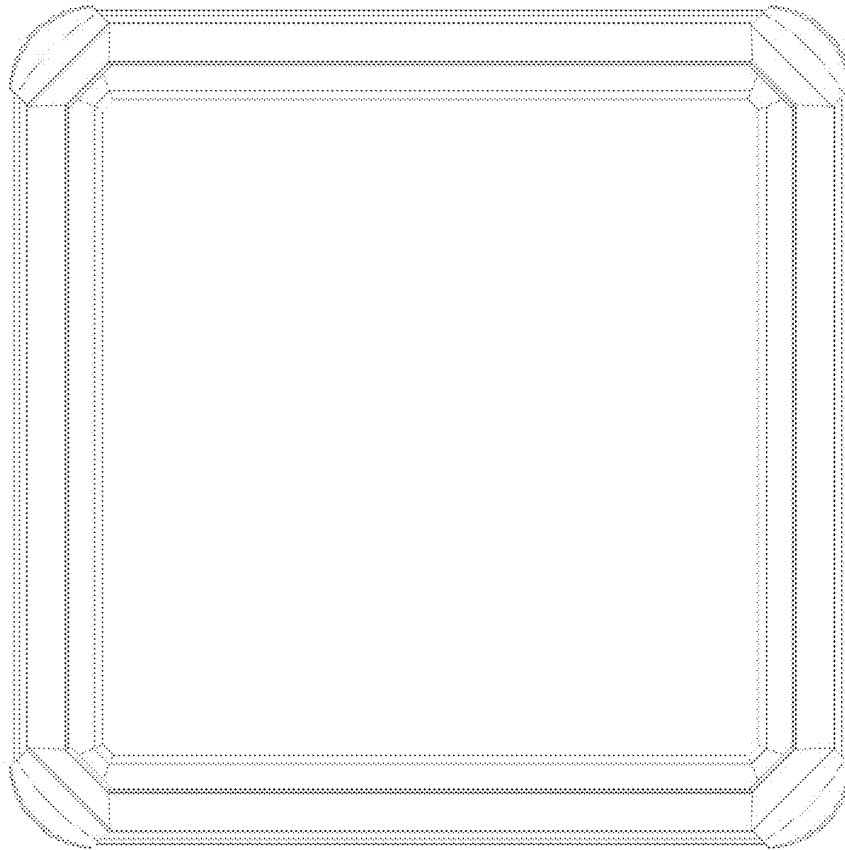


FIG. 2



FIG. 3

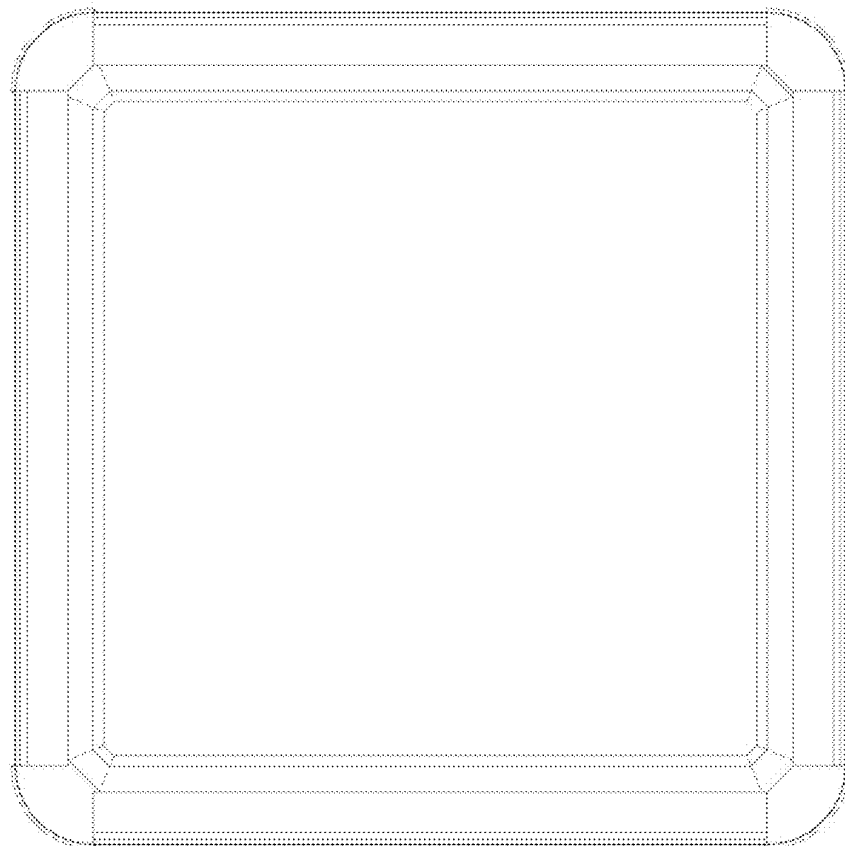


FIG. 4

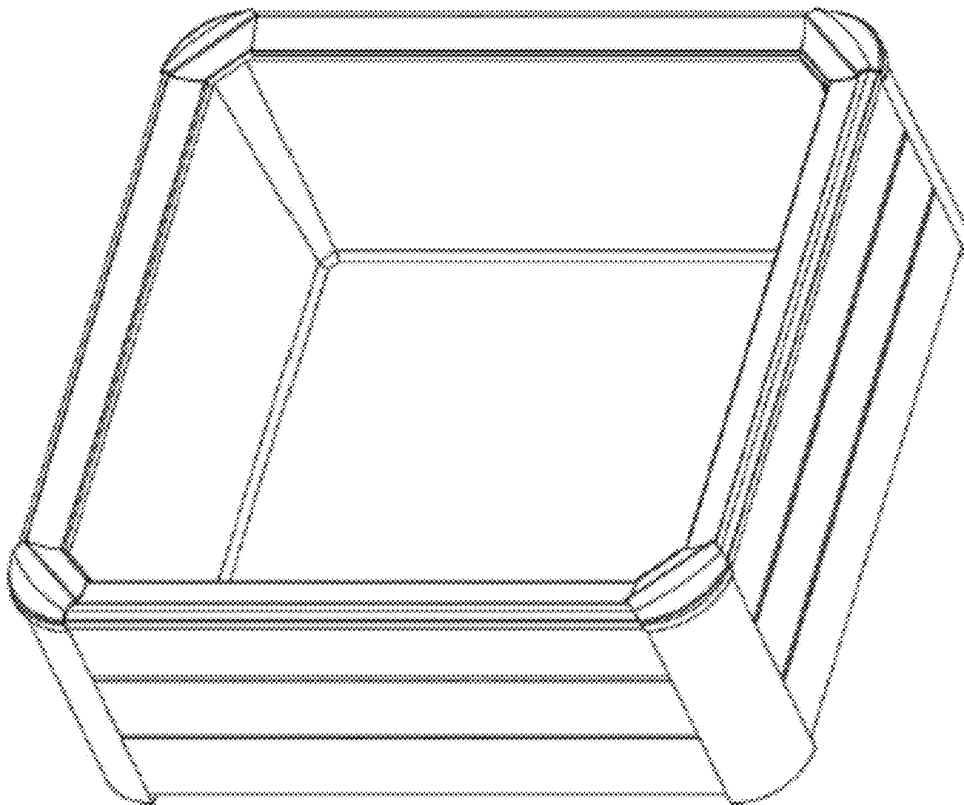


FIG. 5

