



US0D1013843S

(12) **United States Design Patent**
Wang

(10) **Patent No.:** **US D1,013,843 S**
(45) **Date of Patent:** **** Feb. 6, 2024**

- (54) **ROUND BATHTUB**
- (71) Applicant: **ORIENTAL RECREATIONAL PRODUCTS (SHANGHAI) CO., LTD**, Shanghai (CN)
- (72) Inventor: **Zhiyue Wang**, Shanghai (CN)
- (**) Term: **15 Years**
- (21) Appl. No.: **29/843,318**
- (22) Filed: **Jun. 20, 2022**
- (30) **Foreign Application Priority Data**
Dec. 21, 2021 (CN) 202130846096.4
- (51) **LOC (14) Cl.** **23-06**
- (52) **U.S. Cl.**
USPC **D23/280.1**
- (58) **Field of Classification Search**
USPC D6/525; D21/473, 524, 815; D23/275, D23/277, 278, 280.1, 280.4, 304, 305; D24/204
CPC A47K 3/02; A47K 3/022; A47K 3/062; A61H 33/60; A61H 333/02
See application file for complete search history.

D792,982 S * 7/2017 Lin D24/204
D793,574 S * 8/2017 Lin D24/204
D959,762 S * 8/2022 Liang D21/815

FOREIGN PATENT DOCUMENTS

CN 307707564 * 12/2022
CN 307750284 * 12/2022

OTHER PUBLICATIONS

[Nordic Hot Tubs Classic Series: Crown], available in www.shopaltmans.com, announced 2023 [online], [site visited Oct. 10, 2023], Internet URL: <https://shopaltmans.com/nordic-hot-tubs-classic-series-crown/> (Year: 2023).*

[Denali® 680™ Series by Sundance Spas], available in www.pacific805.com, announced 2023 [online], [site visited Oct. 10, 2023], Internet URL: https://www.pacific805.com/models/detail/?unit_id=6259 (Year: 2023).*

* cited by examiner

Primary Examiner — Dana K Weiland
Assistant Examiner — Jihyung Yoon
(74) *Attorney, Agent, or Firm* — Symbus Law Group, PLLC; Craig A. Simmermon

(57) **CLAIM**

The ornamental design for a round bathtub, as shown and described.

DESCRIPTION

FIG. 1 is a top view of a round bathtub;
FIG. 2 is a front view thereof;
FIG. 3 is a bottom view thereof
FIG. 4 is a front perspective view thereof; and,
FIG. 5 is a bottom perspective view thereof.
The back view, left view, and right view of the round bathtub are identical to the front view, and therefore have been omitted.

1 Claim, 5 Drawing Sheets

(56) **References Cited**

U.S. PATENT DOCUMENTS

D261,927 S * 11/1981 Sprague D23/280.2
D367,708 S * 3/1996 Lawing D24/204
D367,709 S * 3/1996 Lawing D24/201
D382,945 S * 8/1997 Hansen D30/129
D399,306 S * 10/1998 Hansen D23/277
D432,241 S * 10/2000 Slater D24/204
D527,827 S * 9/2006 Spicer D24/204
D638,105 S * 5/2011 Jiang D23/277
D677,578 S * 3/2013 Sina D9/667

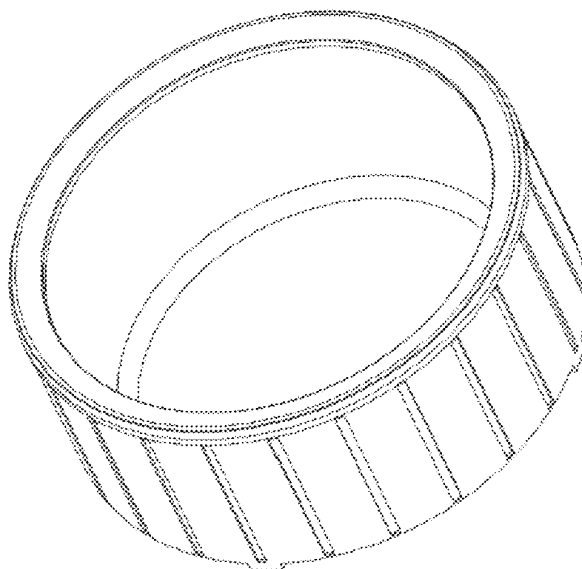


FIG. 1

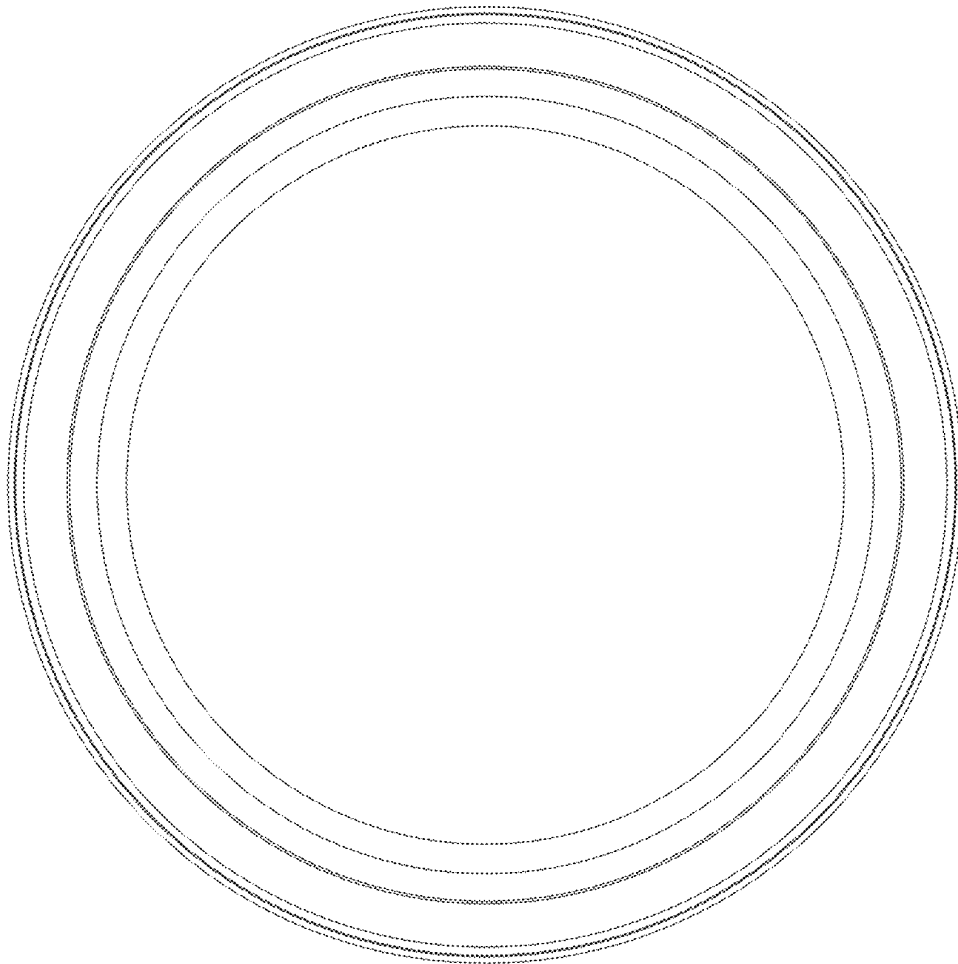


FIG. 2

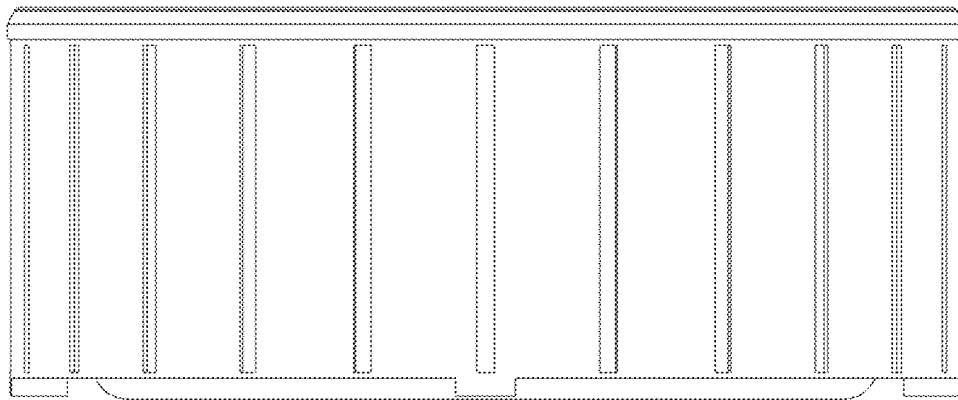


FIG. 3

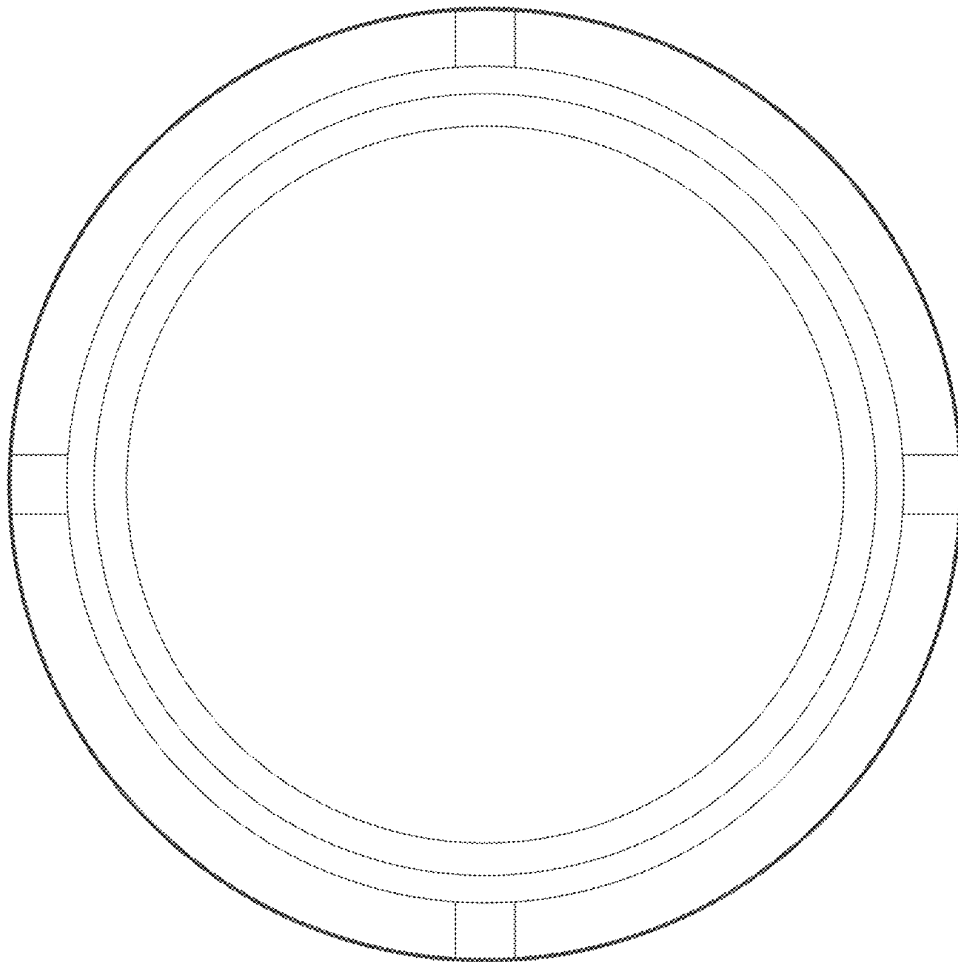


FIG. 4

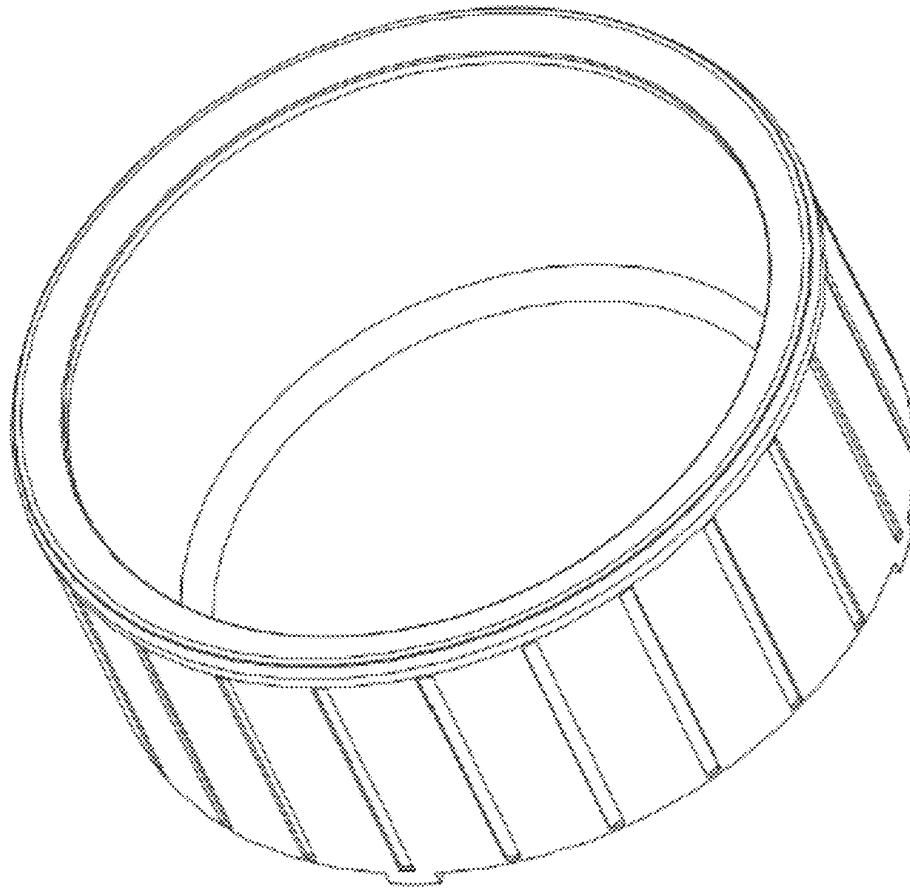


FIG. 5

